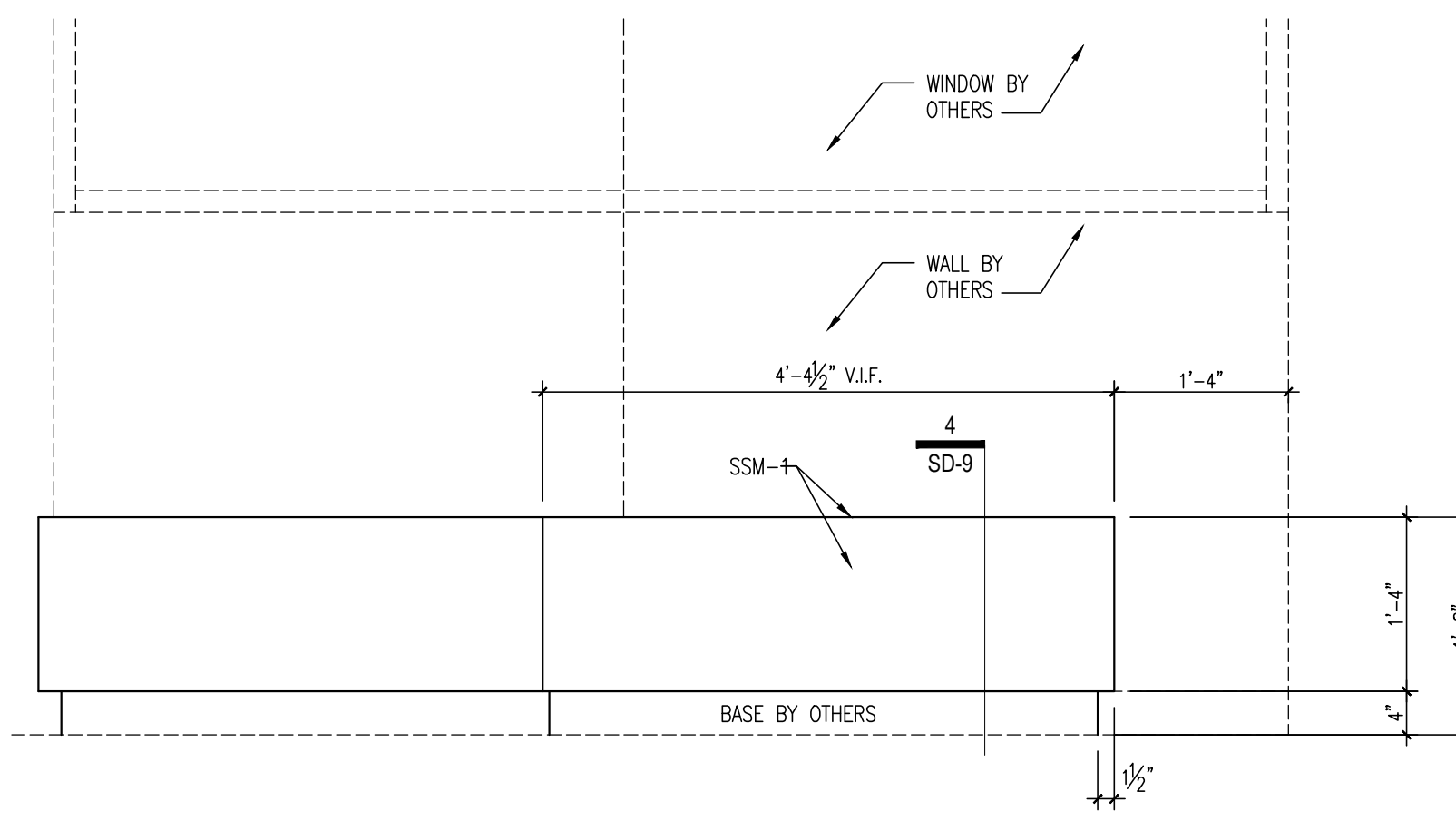
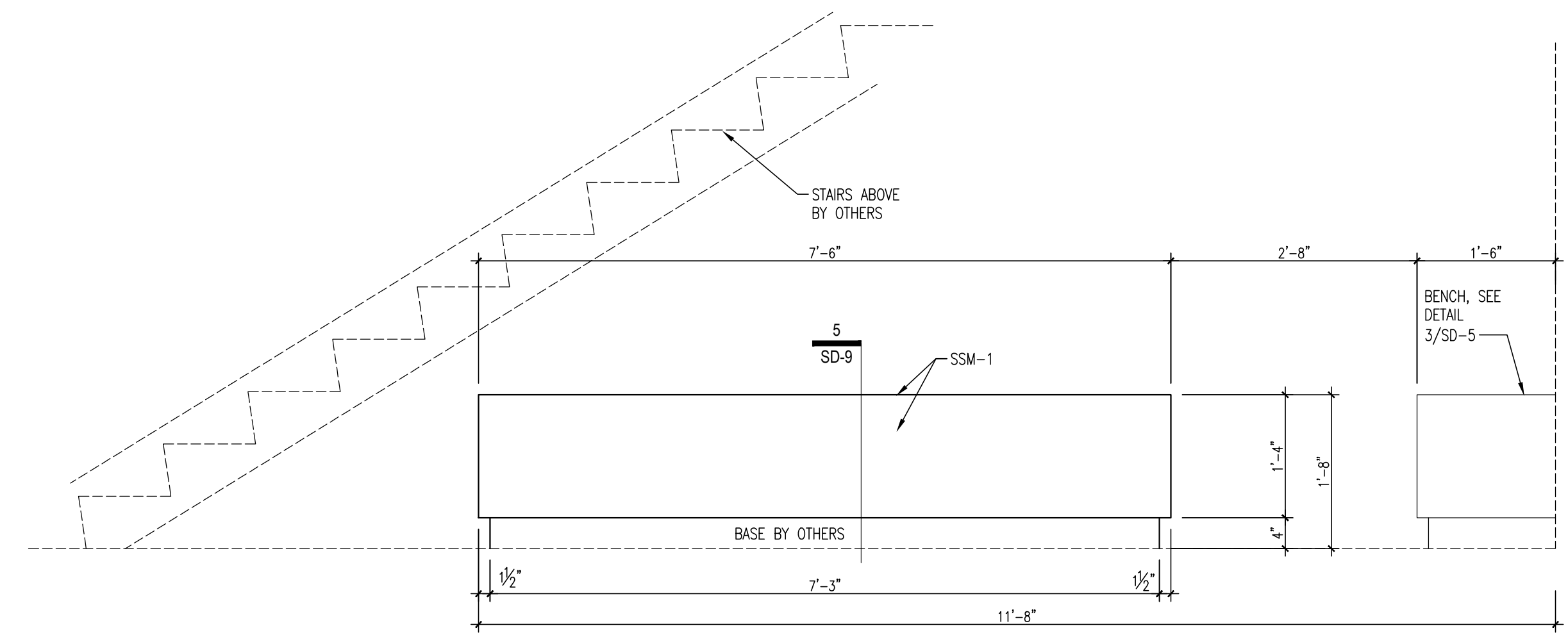


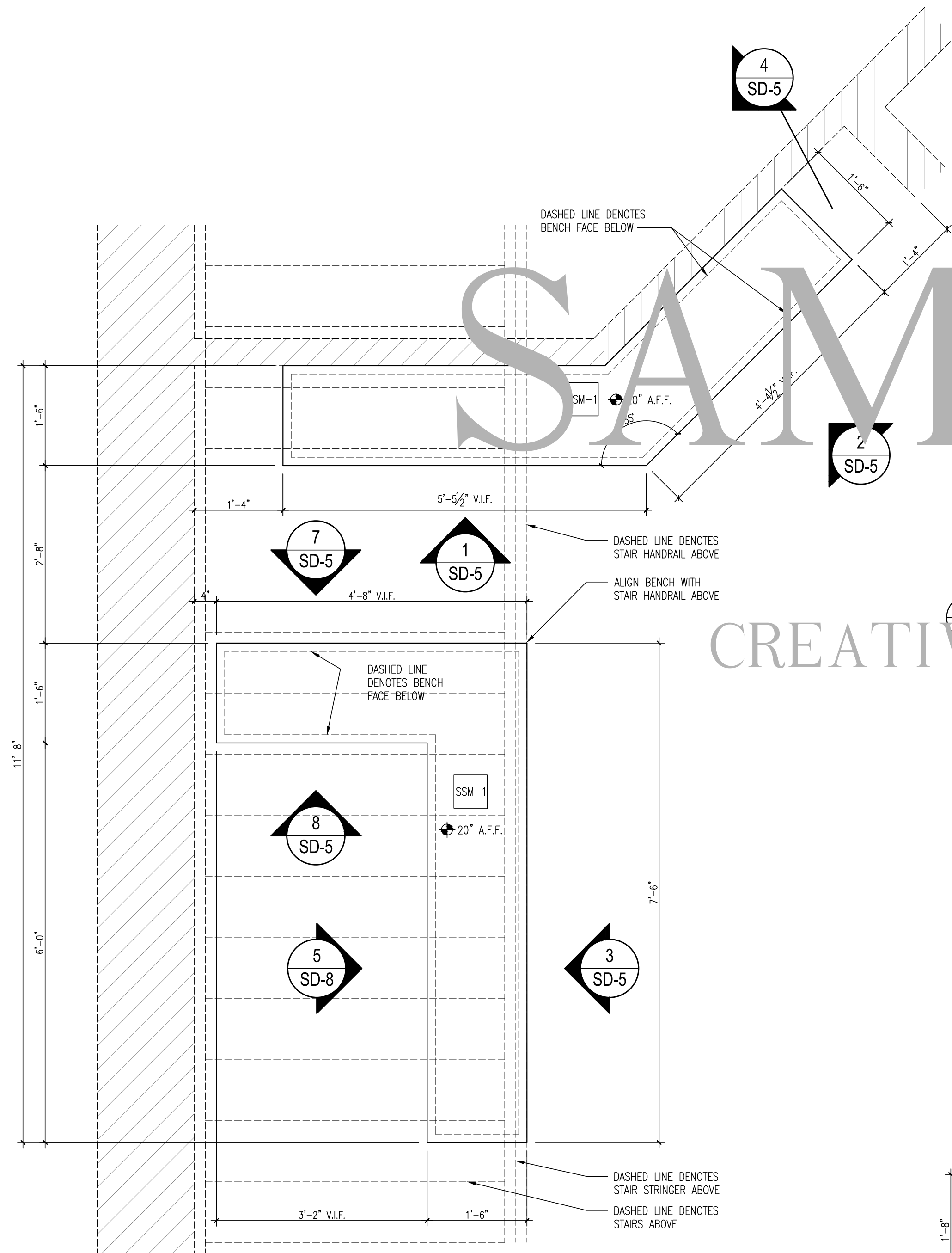
1 ELEVATION @ LEVEL 1 STAIRS - 192
SD-5 SCALE: 3/4" = 1'-0" ARCH. REF. = 9/A601
1 THUS



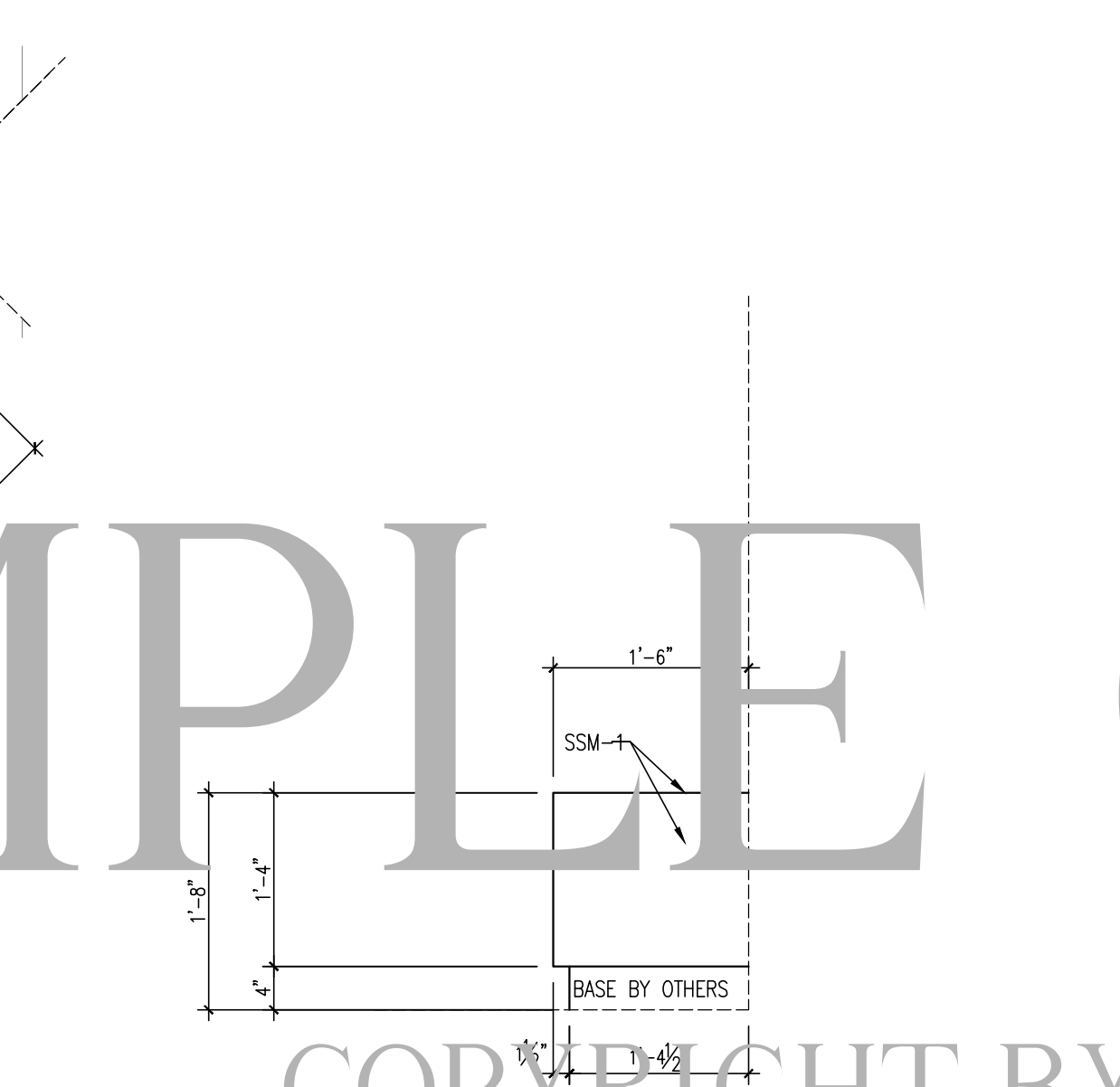
2 ELEVATION @ LEVEL 1 STAIRS - 192
SD-5 SCALE: 3/4" = 1'-0" ARCH. REF. = 9/A601
1 THUS



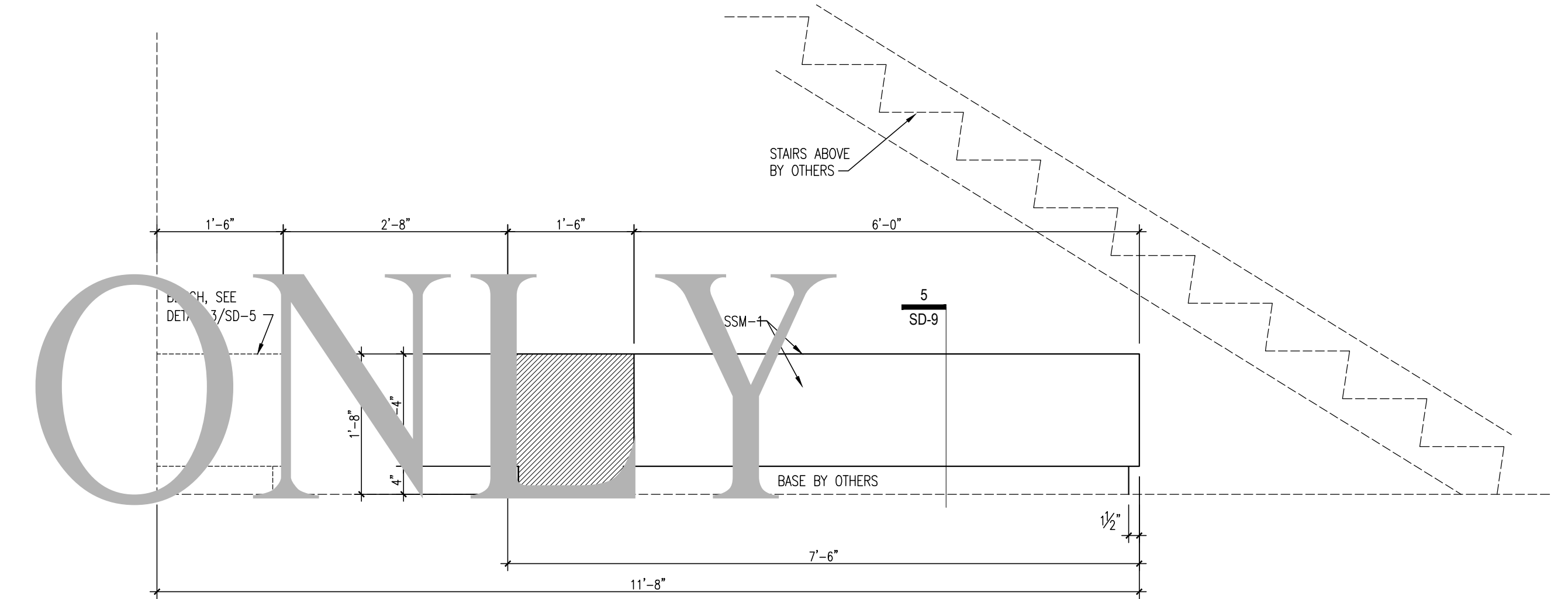
3 ELEVATION @ LEVEL 1 STAIRS - 192
SD-5 SCALE: 3/4" = 1'-0" ARCH. REF. = 9/A601
1 THUS



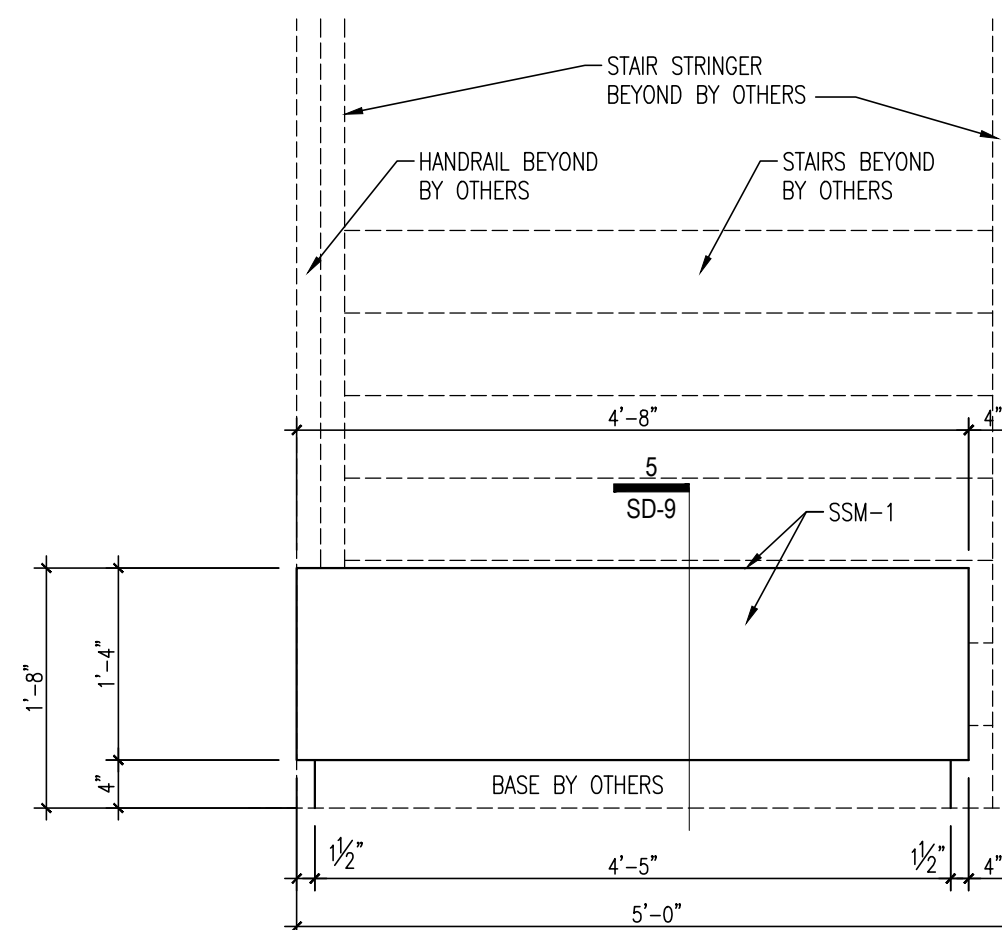
6 PLAN @ LEVEL 1 STAIR - 192
SD-5 SCALE: 3/4" = 1'-0" ARCH. REF. = 1/A211
1 THUS



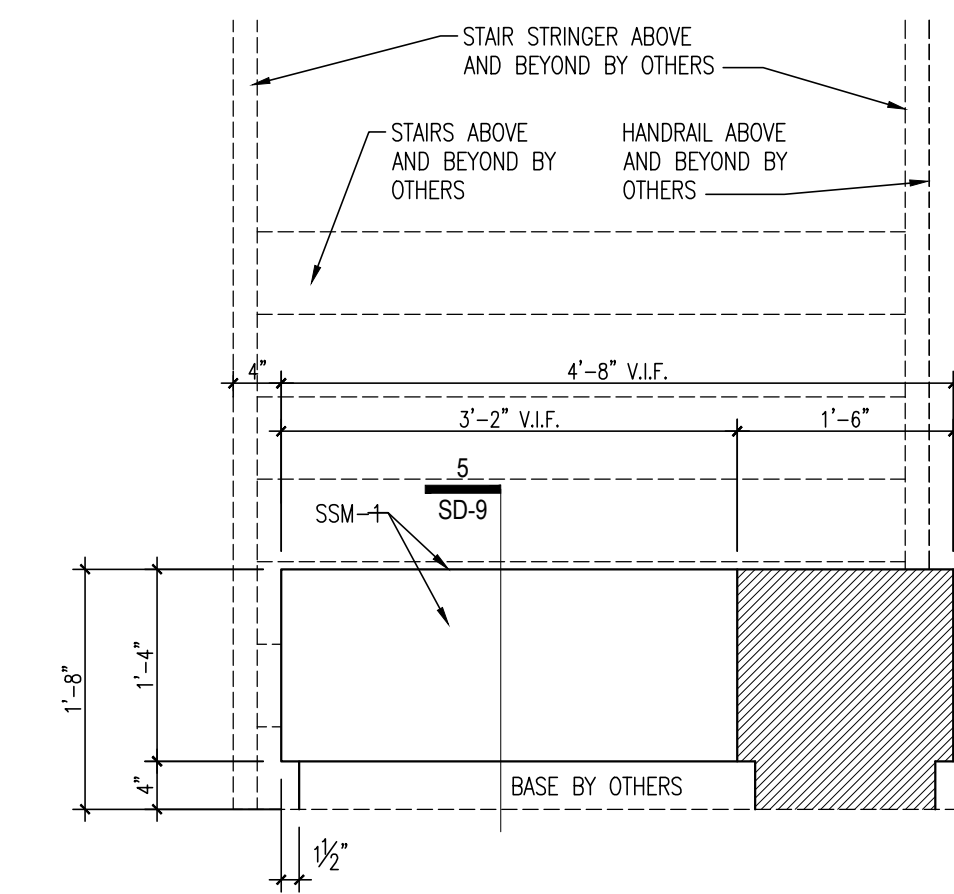
4 ELEVATION @ LEVEL 1 STAIRS - 192
SD-5 SCALE: 3/4" = 1'-0" ARCH. REF. = 9/A601
1 THUS



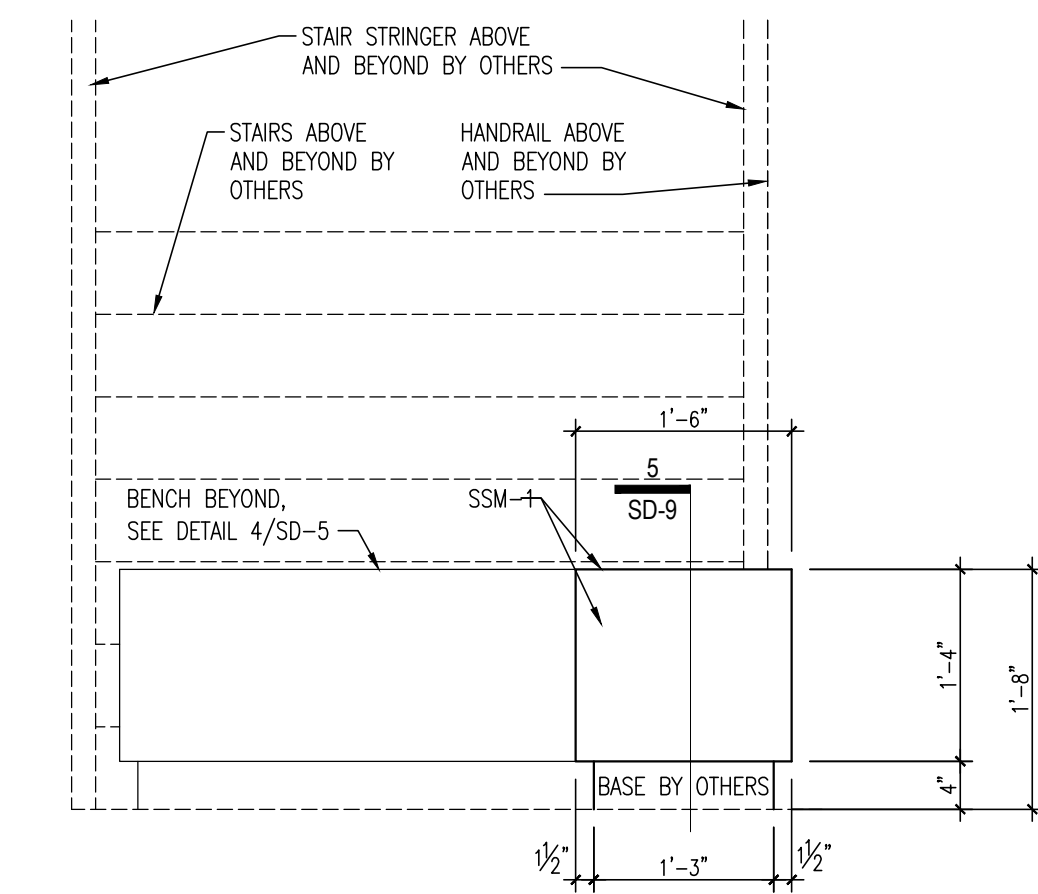
5 ELEVATION @ LEVEL 1 STAIRS - 192
SD-5 SCALE: 3/4" = 1'-0" ARCH. REF. = 9/A601
1 THUS



7 ELEVATION @ LEVEL 1 STAIRS - 192
SD-5 SCALE: 3/4" = 1'-0" ARCH. REF. = 9/A601
1 THUS



8 ELEVATION @ LEVEL 1 STAIRS - 192
SD-5 SCALE: 3/4" = 1'-0" ARCH. REF. = 9/A601
1 THUS



9 ELEVATION @ LEVEL 1 STAIRS - 192
SD-5 SCALE: 3/4" = 1'-0" ARCH. REF. = 9/A601
1 THUS

FINISH SCHEDULE

PLASTIC LAMINATE (PL-1):	WILSONART - 4879-38 STEEL MESH WITH MATCHING 3MM PVC EDGING
PLASTIC LAMINATE (PL-2):	NEVAMAR - FOUNDRY TEXTURED S 2084T, WITH MATCHING 3MM PVC EDGING
PLASTIC LAMINATE (PL-3):	NEVAMAR - VU5001 T MALLEABLE MUSE
PLASTIC LAMINATE (PL-4):	WILSONART - 4886-38 PEARL SOAPSTONE
PLASTIC LAMINATE (PL-5):	FORMICA - 5883-58 PECAN WOODLINE, MATTE FINISH
SOLID SURFACE (SSM-1):	LG HI-MACS - GALAXY VENUS T001, MATTE FINISH
SYNTHETIC STONE (SSM-2):	CAMBRIA - DARLINGTON QUARTZ, POLISHED
STAINLESS STEEL (SS-3):	#4 BRUSHED STAINLESS STEEL
UPHOLSTERY (FB-1):	VINYL/ CATALYST 3352-801, COLOR: RIVER STONE, 54" WIDE, REPEAT: V-18.75" x H-18"
WALL PANEL (WD-1):	SPECIES, CUT AND STAIN COLOR TO MATCH ACT 2

SAMPLE ONLY

COPYRIGHT BY
CREATIVE CONCEPTS AND DESIGN, INC.

NOT FOR CONSTRUCTION

CONTRACTOR:

ARCHITECT:

FOR REVIEW ONLY



SUBJECT: SHOP DRAWINGS
REVISIONS:

JOB NO: 3083
DATE: 9-29-15
DRAWN BY: CGO

SHEET NO:
SD-7
8 OF 10