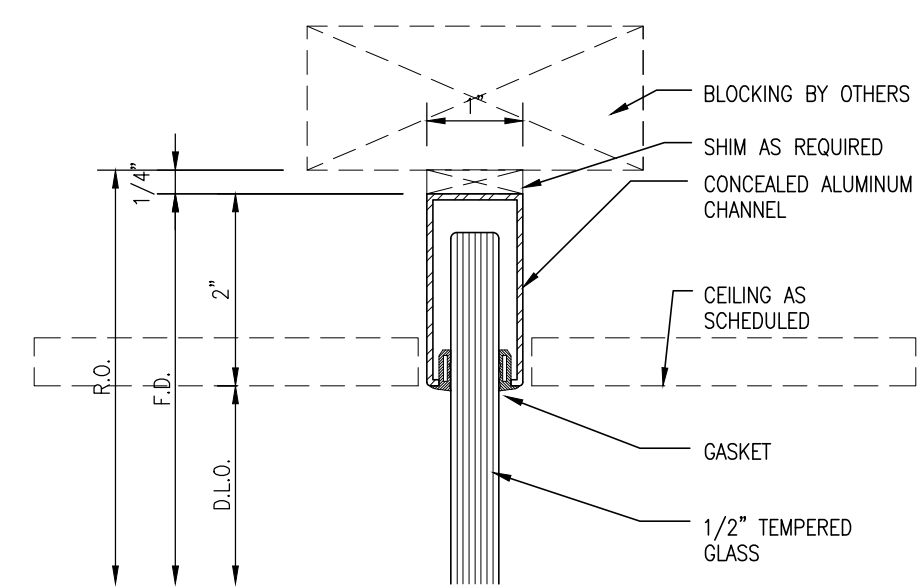
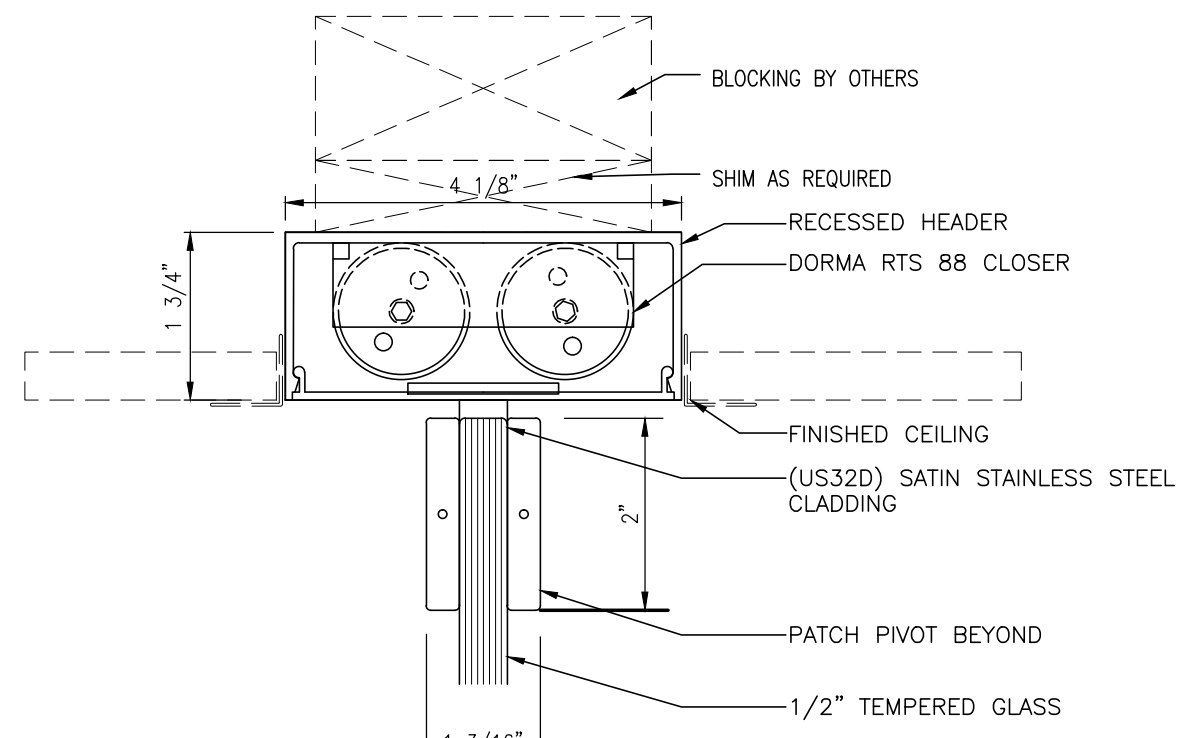


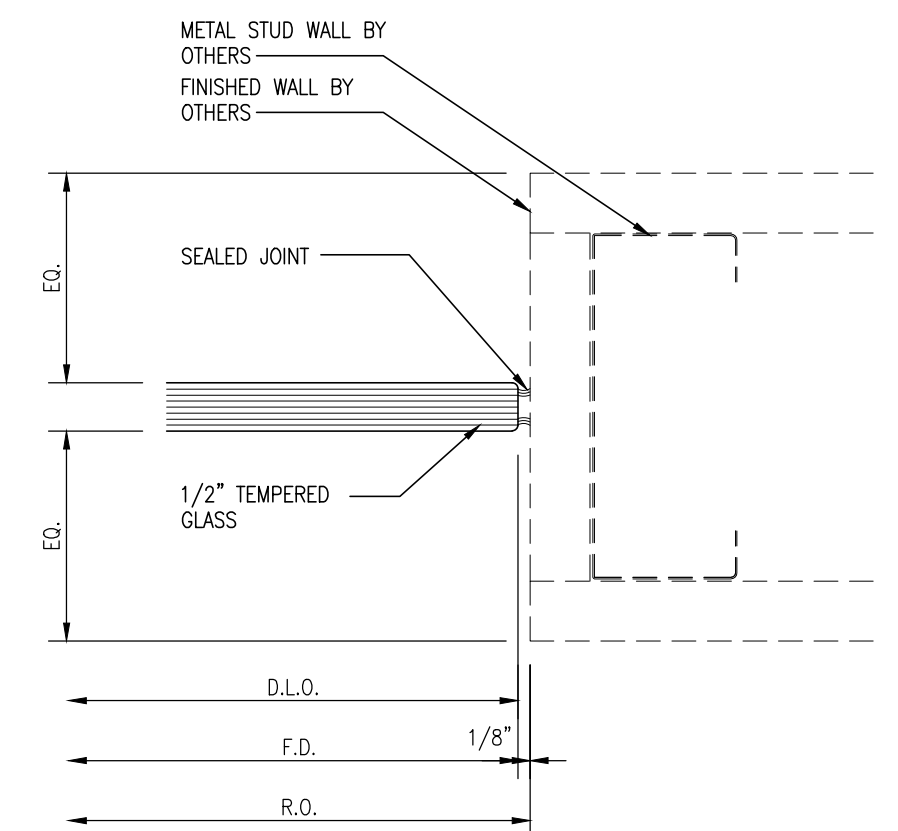
NOT FOR CONSTRUCTION



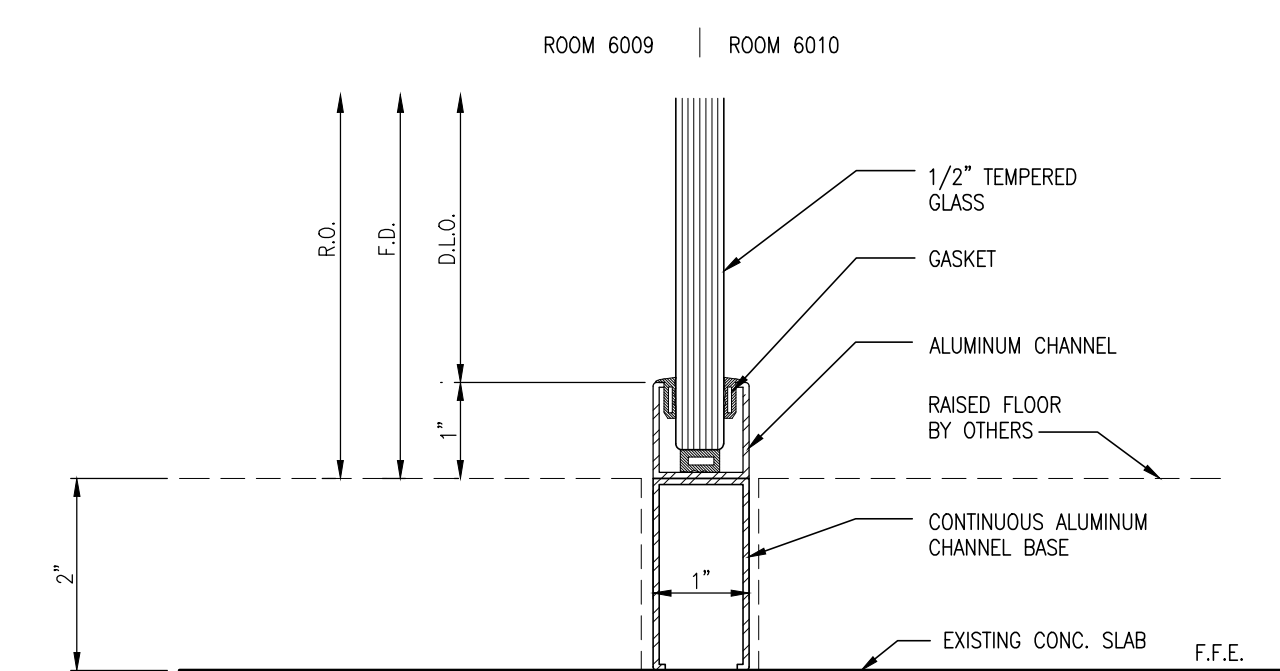
1 HEAD



2 TOP PATCH PIVOT W/ OVERHEAD CLOSER

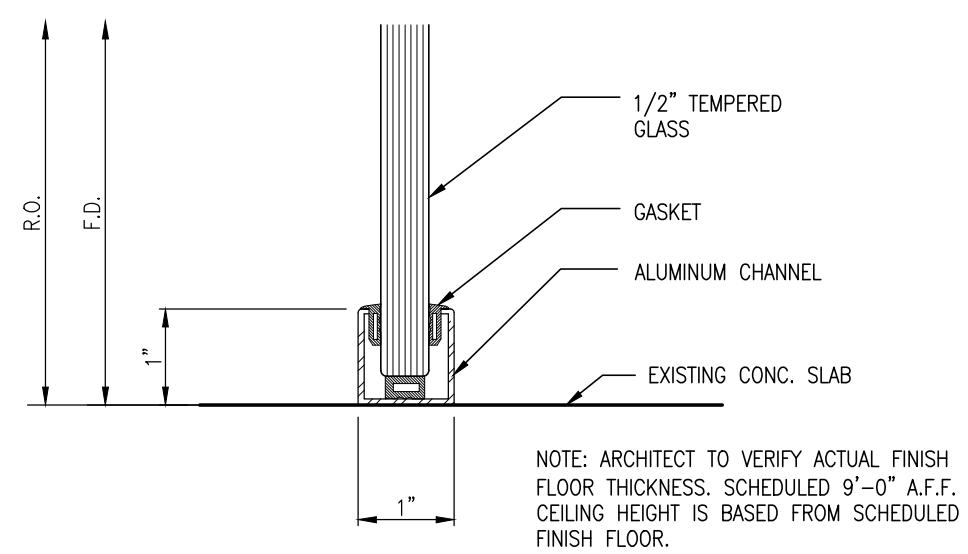


3 JAMB



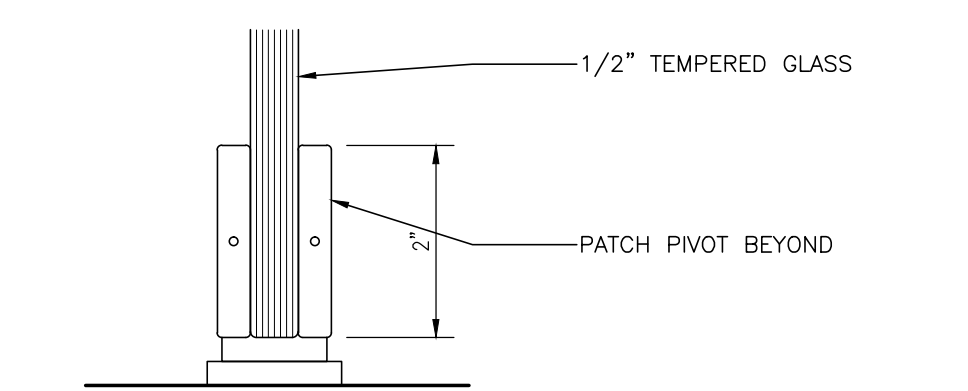
21 SILL

PLEASE CONFIRM THAT CONTINUOUS CHANNEL BLOCKING MEETS NERC RATING REQUIRED. NOTE: ARCHITECT TO VERIFY ACTUAL FINISH FLOOR THICKNESS. SCHEDULED 9'-0" A.F.F. CEILING HEIGHT IS BASED FROM SCHEDULED FINISH FLOOR.

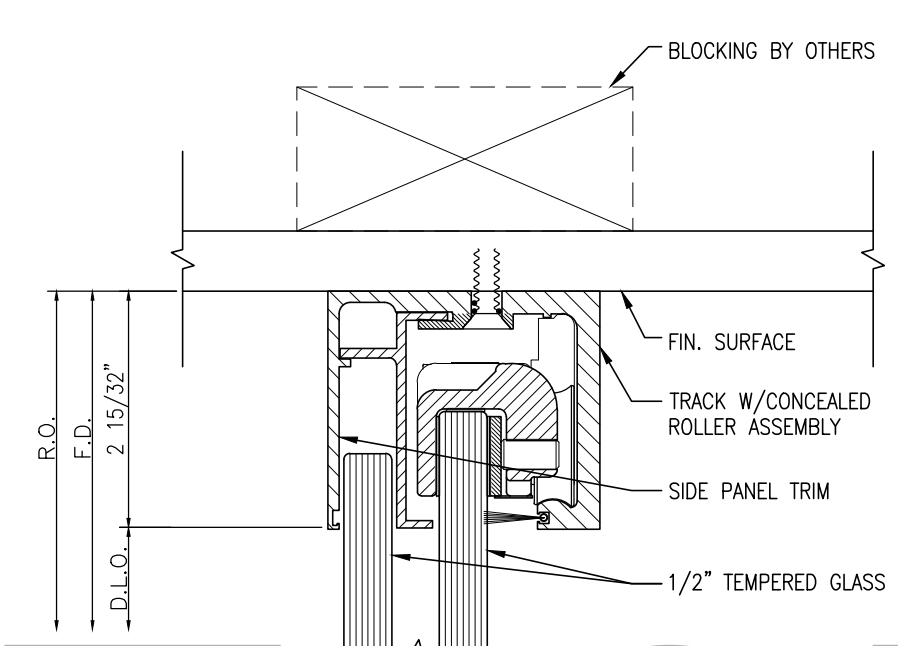


4 SILL

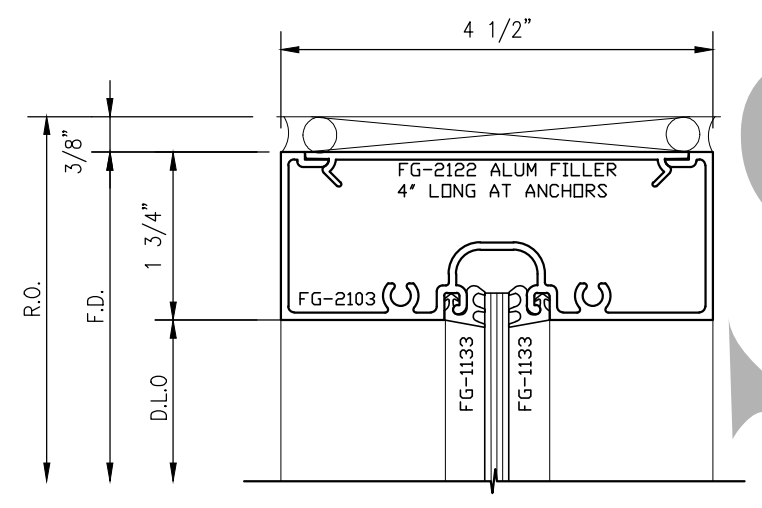
NOTE: ARCHITECT TO VERIFY ACTUAL FINISH FLOOR THICKNESS. SCHEDULED 9'-0" A.F.F. CEILING HEIGHT IS BASED FROM SCHEDULED FINISH FLOOR.



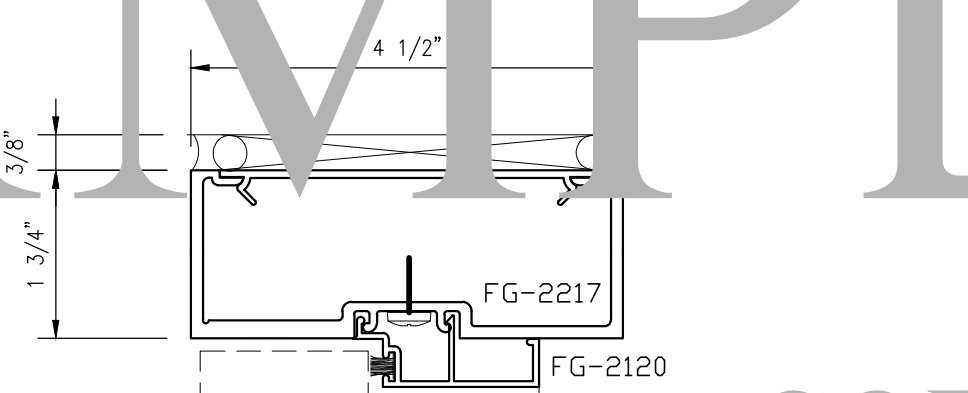
5 BOTTOM PATCH PIVOT
HARDWARE US32D (BRUSHED STAINLESS STEEL)



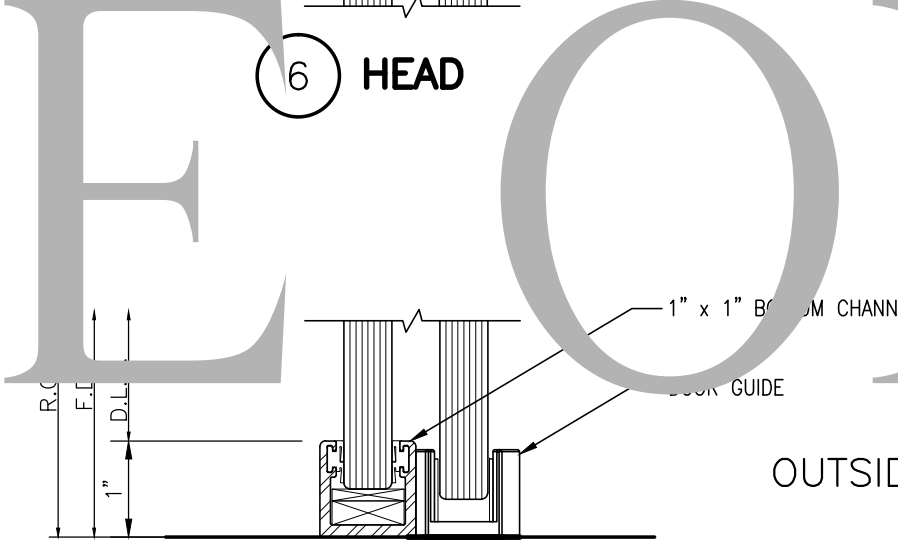
6 HEAD



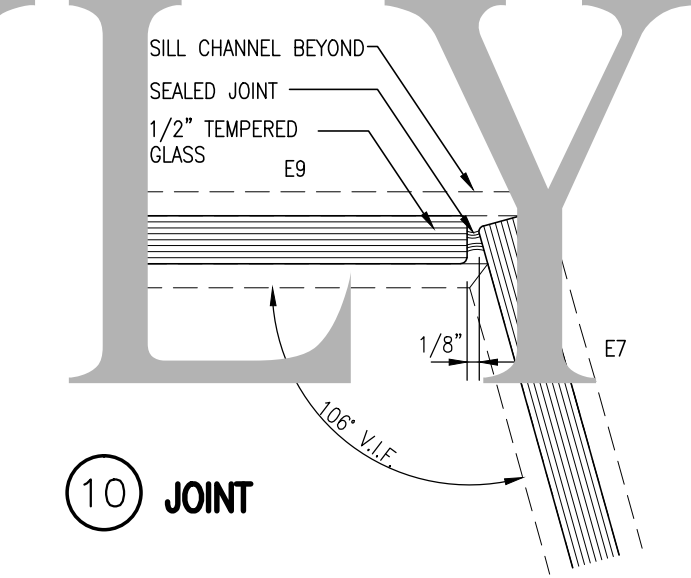
7 HEAD



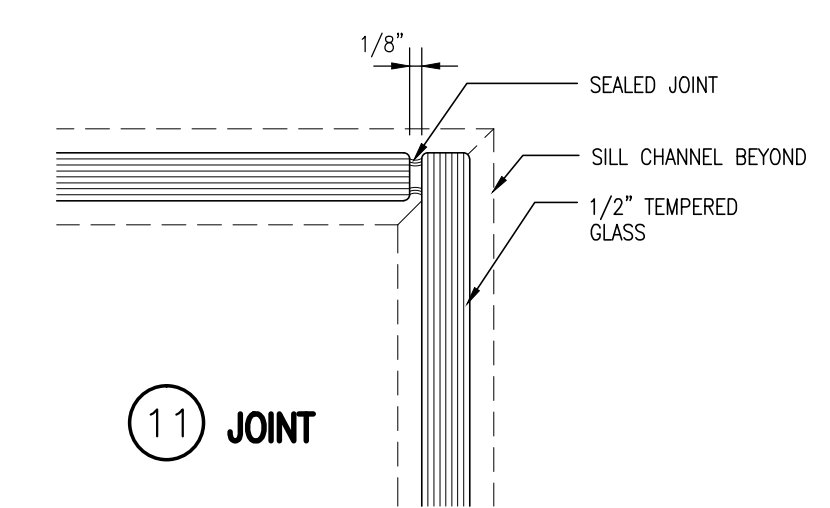
8 HEAD



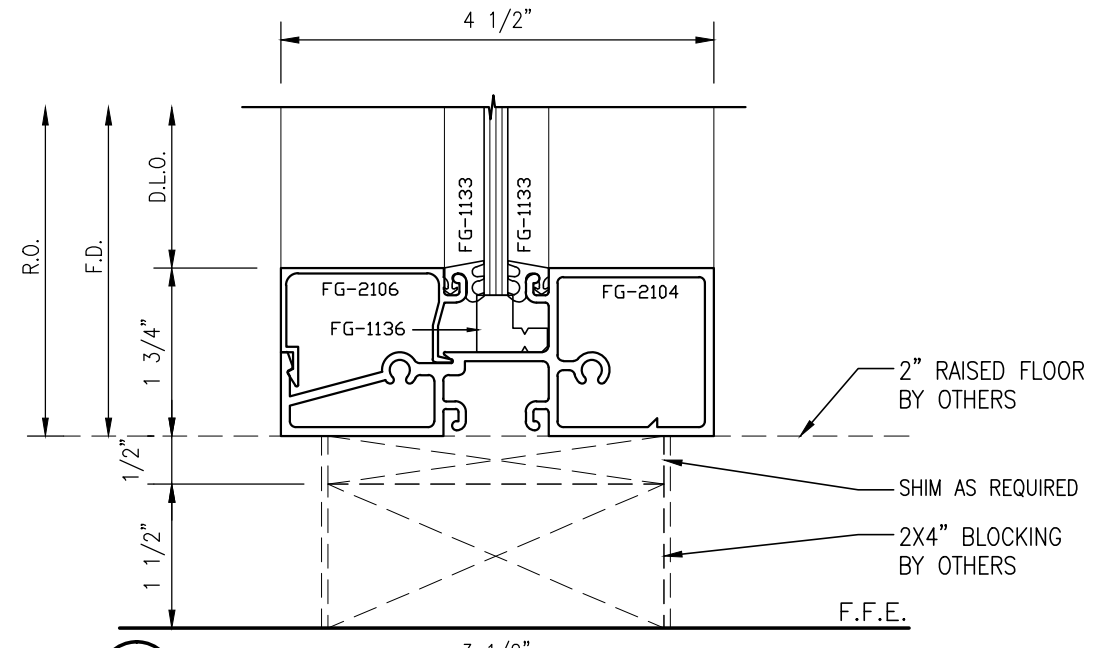
9 SILL



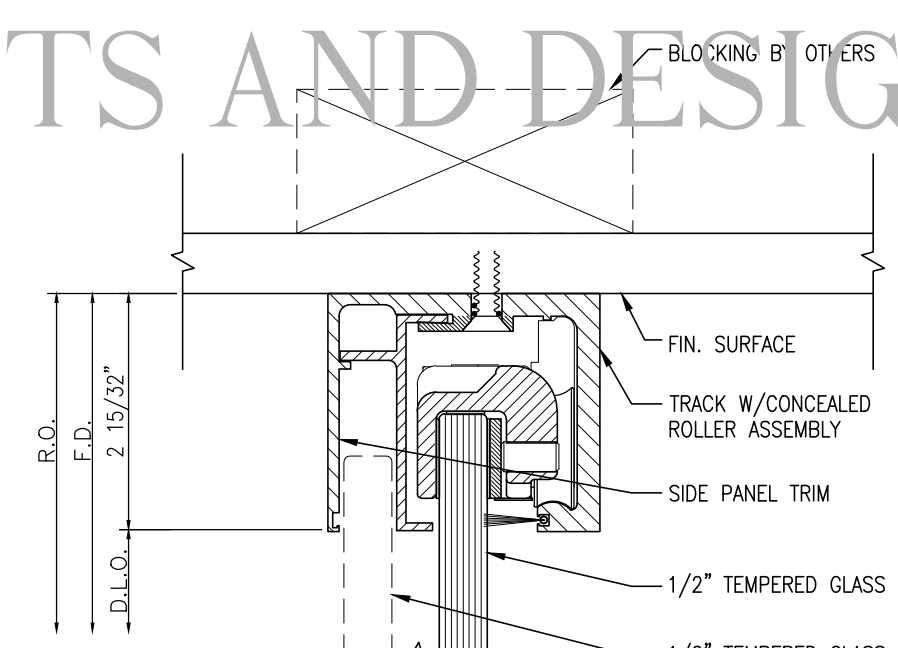
10 JOINT



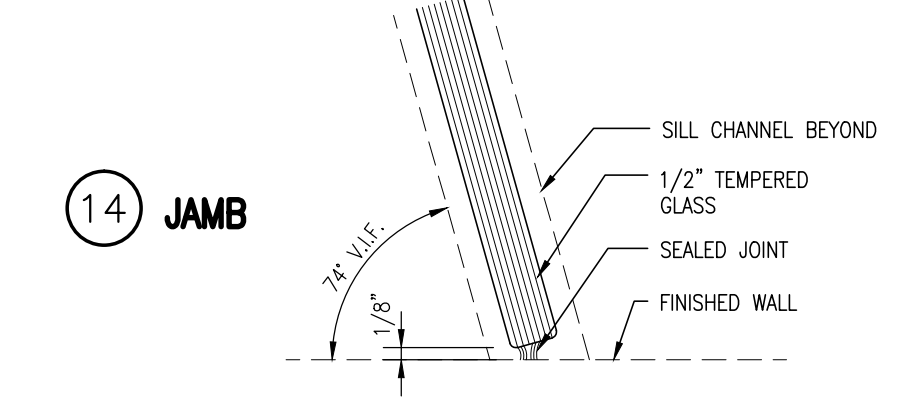
11 JOINT



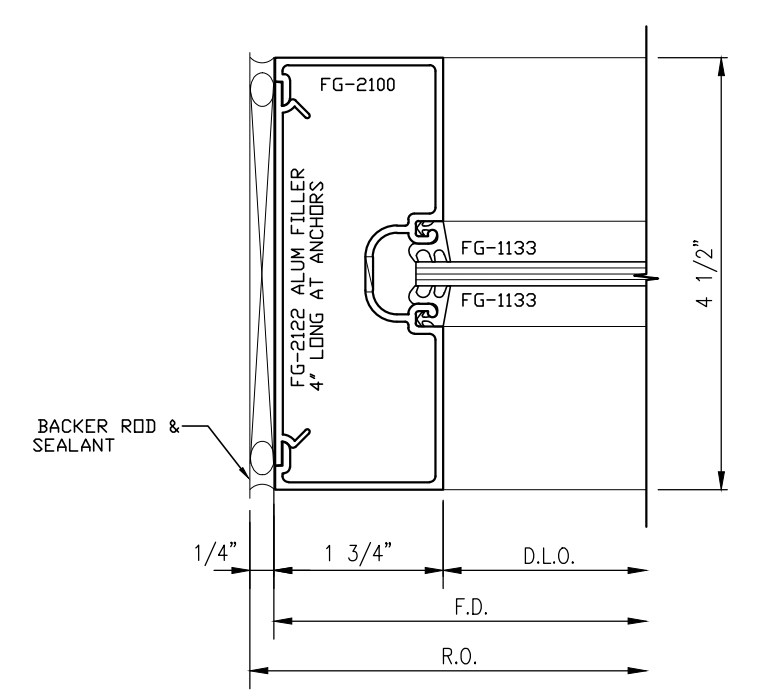
12 SILL



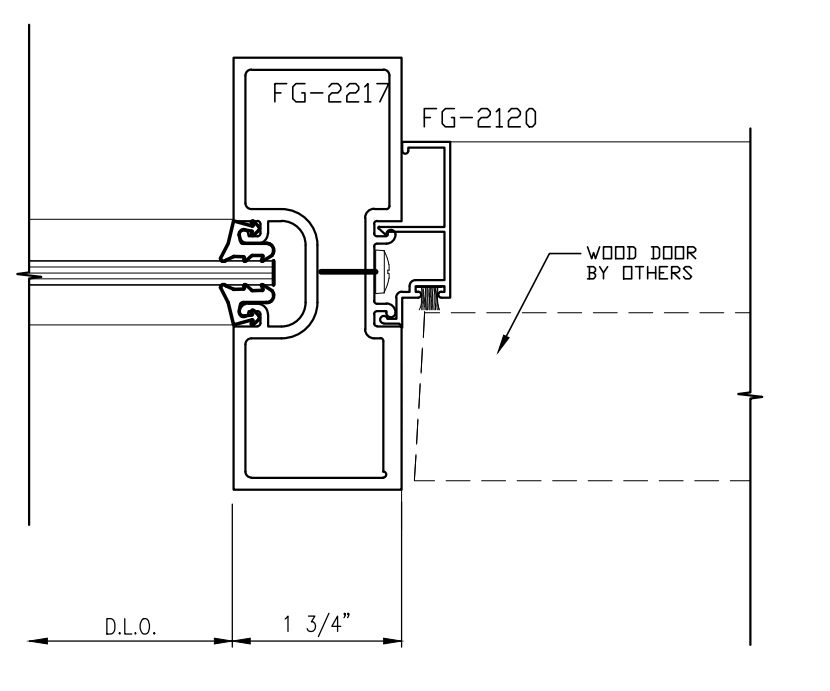
13 HEAD



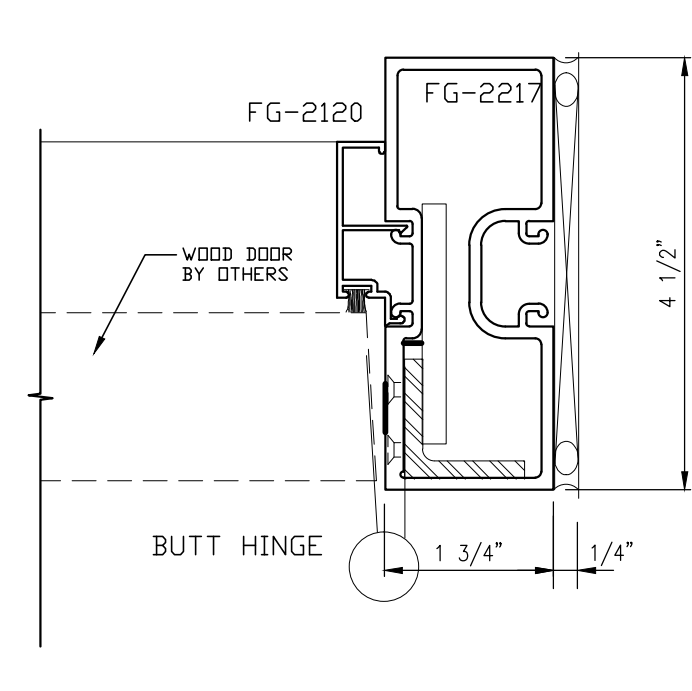
14 JAMB



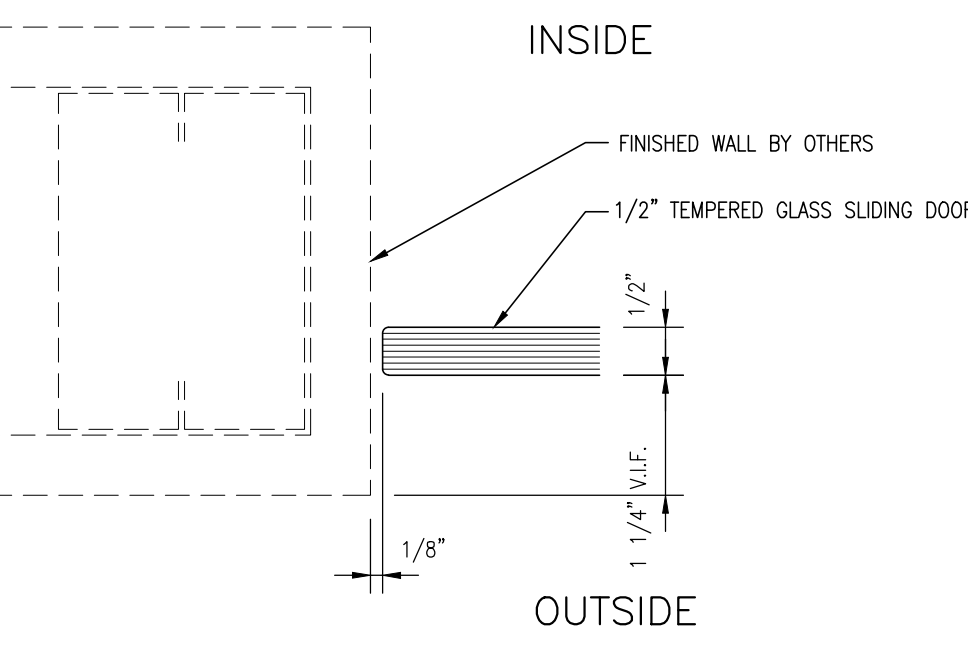
15 JAMB



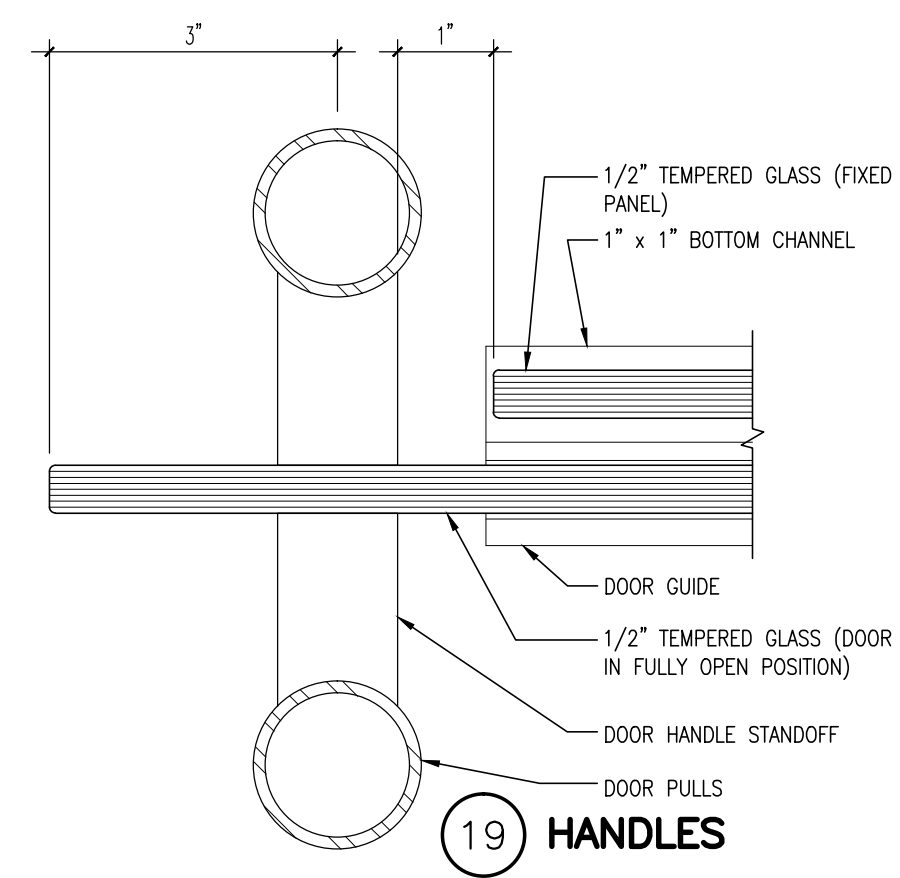
16 JAMB



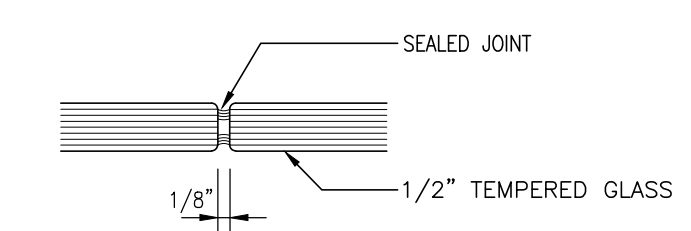
17 JAMB



18 JAMB



19 HANDLES



20 BUTT JOINT

SAMPLE ONLY
COPYRIGHT BY
CREATIVE CONCEPTS AND DESIGN, INC.

PROJECT

Project Name:

Location:

Project No.:

Manager:

ARCHITECT / CONTRACTOR

Architect:

Project No.:

Contractor:

Attention:

Sheet Title:
DETAILS

Date Issued: 4.20.15

- Revisions:
1.
2.
3.

Scale: 6" = 1'-0"

Sheet No.:

FOR REVIEW ONLY