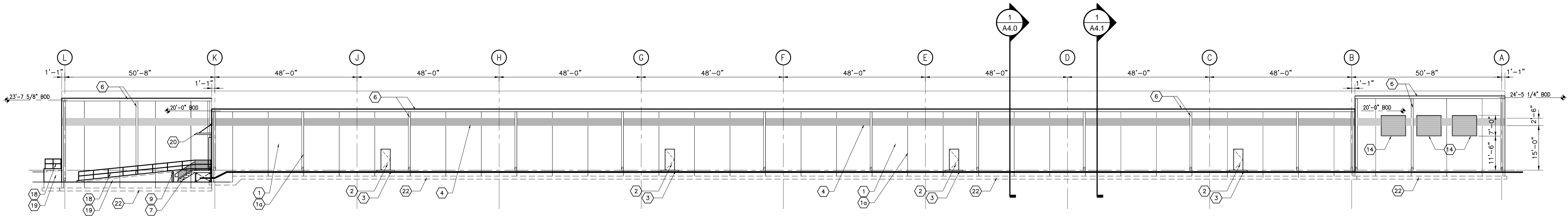
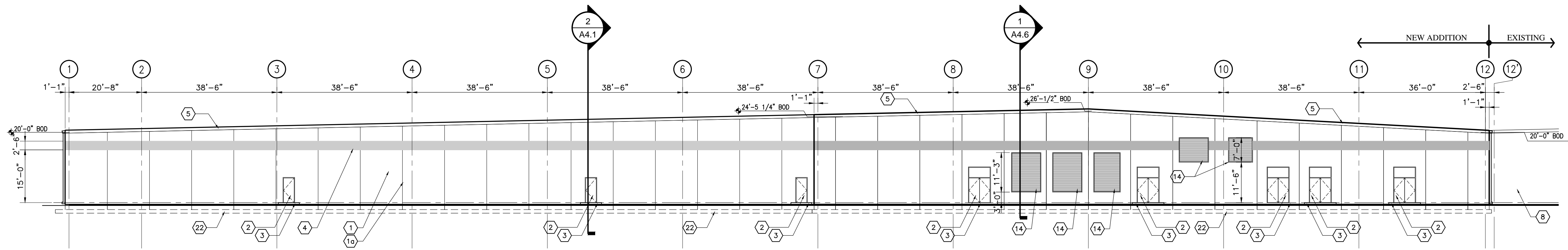


1 East Elevation  
A3.0 SCALE: 1/16" = 1'-0"

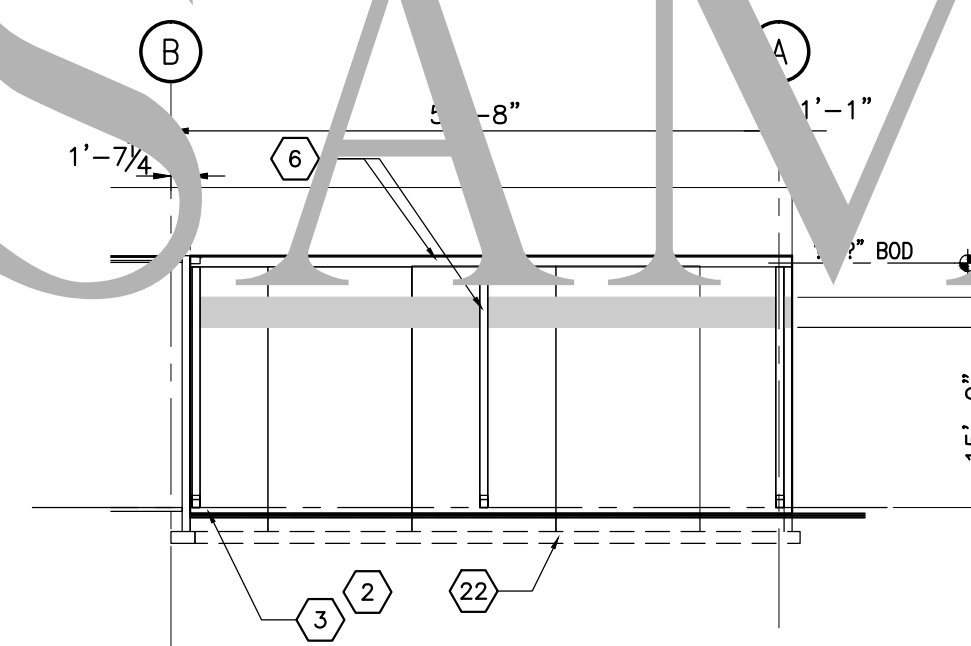
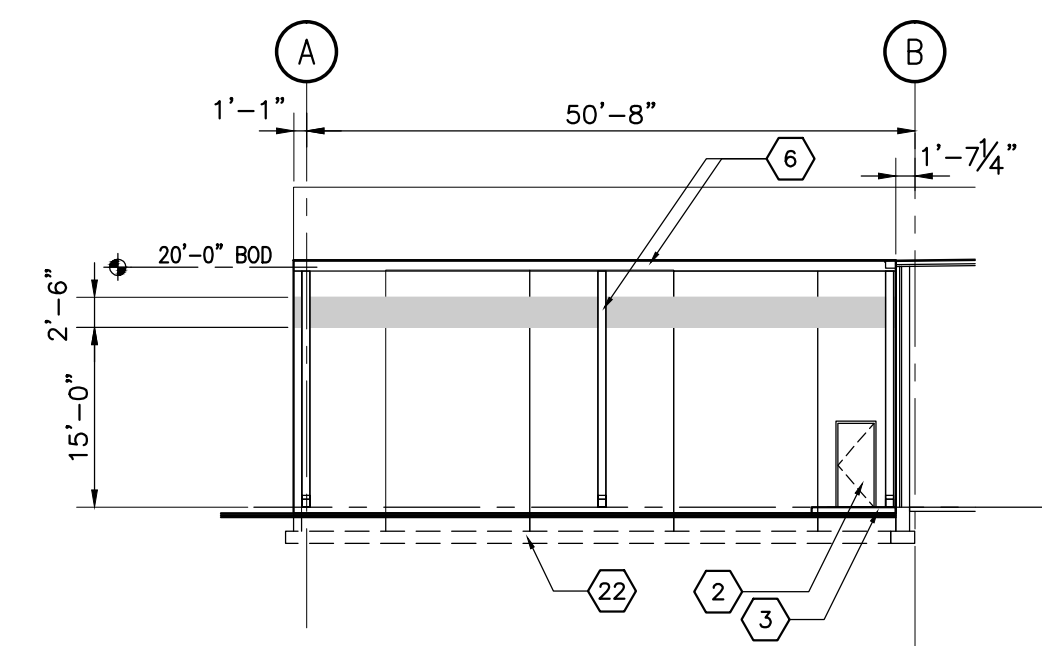
2 East Elevation  
A3.0 SCALE: 1/16" = 1'-0"



3 North Elevation  
A3.0 SCALE: 1/16" = 1'-0"



4 West Elevation  
A3.0 SCALE: 1/16" = 1'-0"

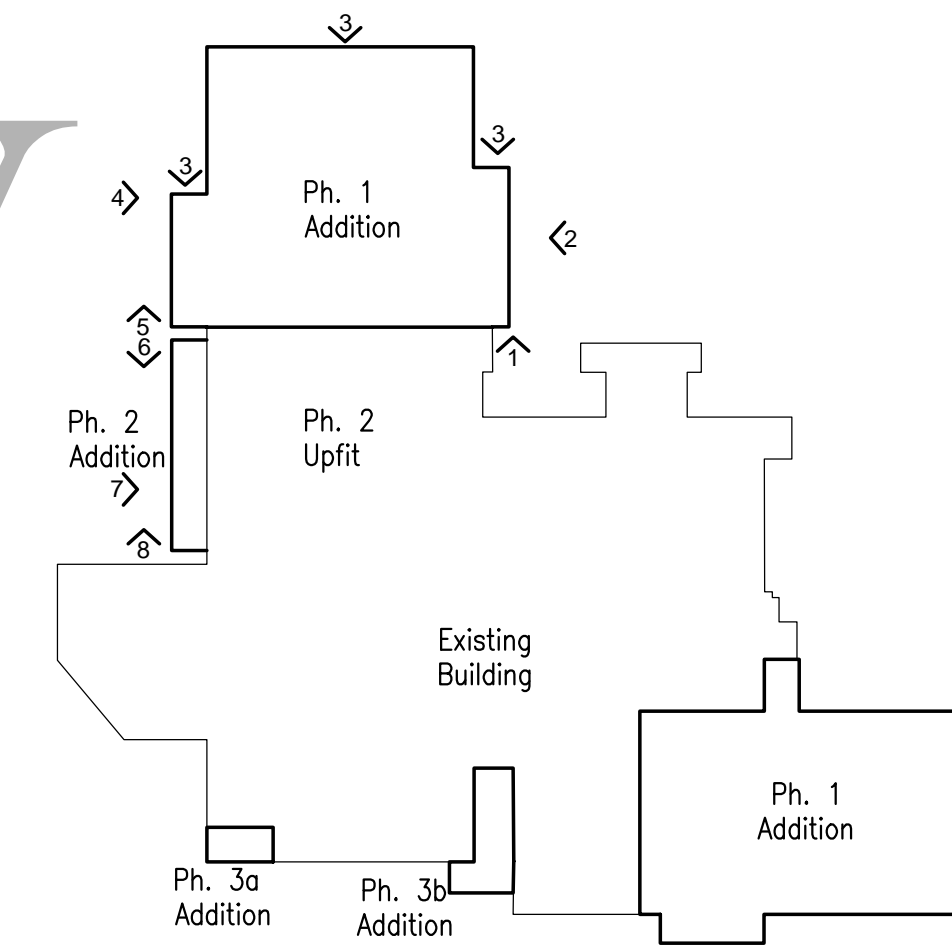


5 South Elevation  
A3.0 SCALE: 1/16" = 1'-0"

6 North Elevation  
A3.0 SCALE: 1/16" = 1'-0"

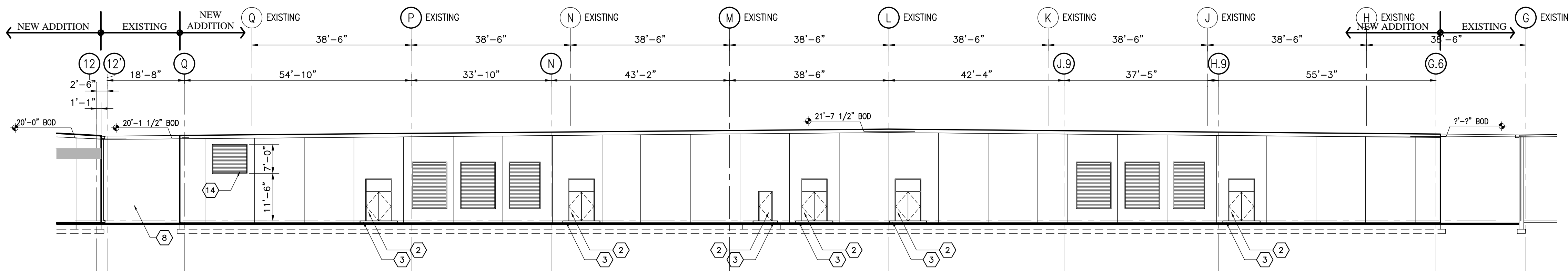
SAMPLE ONLY

COPYRIGHT BY  
CREATIVE CONCEPTS AND DESIGN, INC.

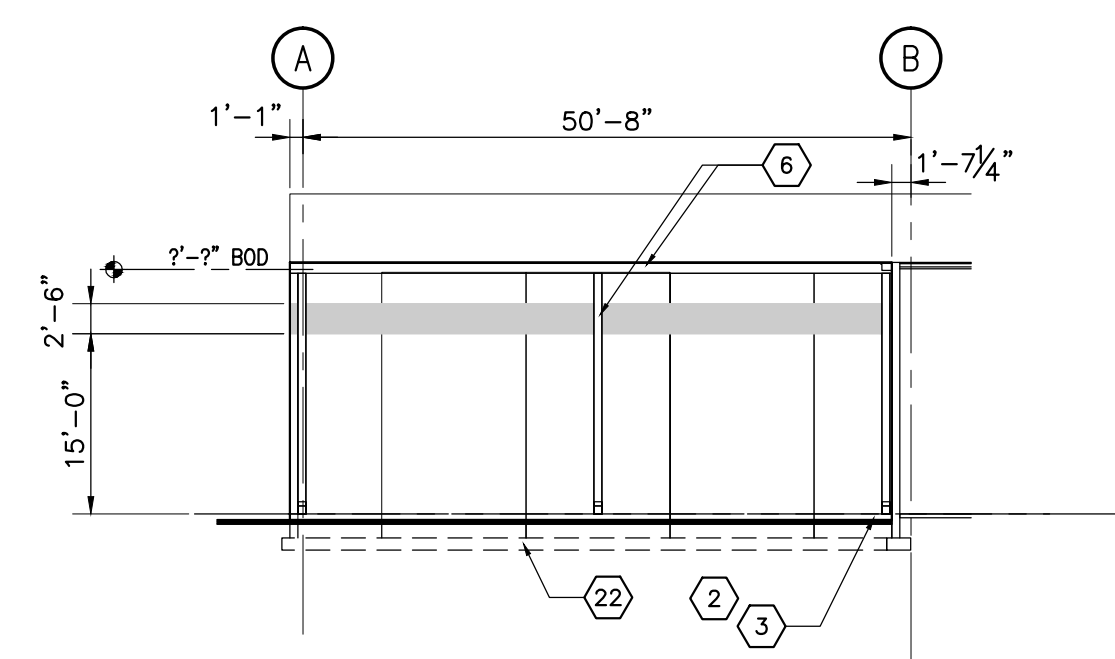


Key Plan

- Elevation Notes:**
1. NEW INSULATED (R10) PRECAST CONCRETE PANELS, PAINTED TO MATCH EXISTING. SEE STRUCTURAL FOR CONNECTIONS AND DETAILS.
  10. PRECAST CONCRETE PANEL JOINTS.
  2. NEW INSUL. HM DOOR & FRAME, PAINTED.
  3. NEW 4" CONC. PAD, SLOPE AWAY FROM DOOR.
  4. PAINTED ACCENT STRIPE.
  5. NEW PREFINISHED METAL FASCIA.
  6. NEW PREFINISHED FASCIA, METAL GUTTER AND DOWNSPOUT.
  7. NEW STEEL STAIR AND RAILING, PAINTED.
  8. EXISTING BUILDING.
  9. NEW 6" x 40" HIGH CONC. FILLED STEEL GUARD POST w/ VINYL COVER.
  10. NEW DOCK SEALS.
  11. NEW DOCK LEVELER & TRUCK RESTRAINT.
  12. NEW PREFINISHED INSUL. OVERHEAD DOOR.
  13. NEW PREFINISHED INSUL. COLLING DOOR.
  14. NEW PREFINISHED METAL LOUVER.
  17. KNOCK OUT IN PRECAST PANEL.
  18. METAL GUARD RAILING - PAINTED.
  18. NEW ROOF EXPANSION JOINT.
  19. C.I.P. RETAINING WALL.
  20. PREFINISHED METAL EYEBROW CANOPY.
  21. NEW DOCK BUMPER.
  22. REINF. CONC. FOUNDATION, SEE STRUCT.
  23. CONC. APRON, SEE CIVIL.
  24. CAGED ALUMINUM ACCESS LADDER.



7 West Elevation  
A3.0 SCALE: 1/16" = 1'-0"



8 South Elevation  
A3.0 SCALE: 1/16" = 1'-0"

NOT FOR CONSTRUCTION

Project:

Project No. 14269  
Date Issued: JUNE 9, 2015  
Revisions:

- 1.
- 2.
- 3.
- 4.
- 5.
- 6.
- 7.
- 8.
- 9.

Elevations

Sheet Title  
CONSTRUCTION DOCUMENTS

A3.0  
Sheet Number Of