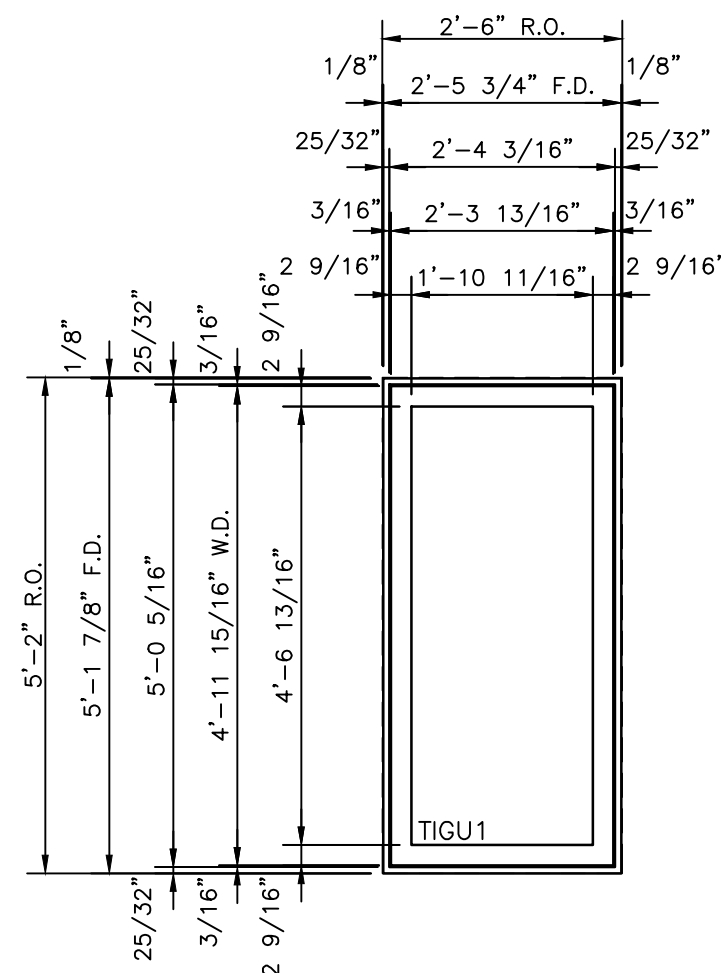
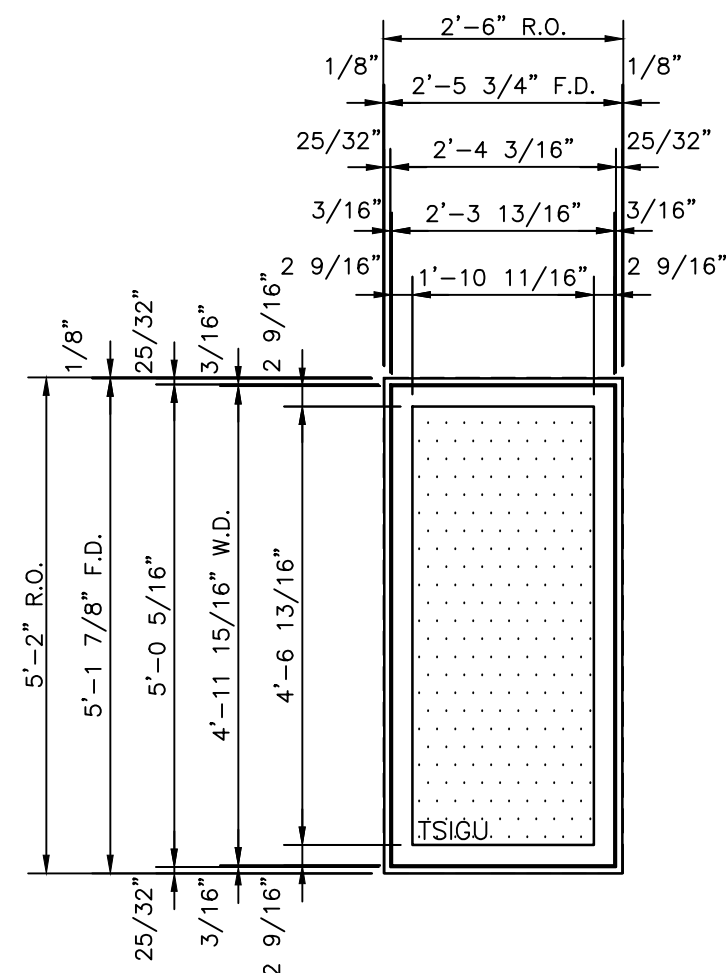


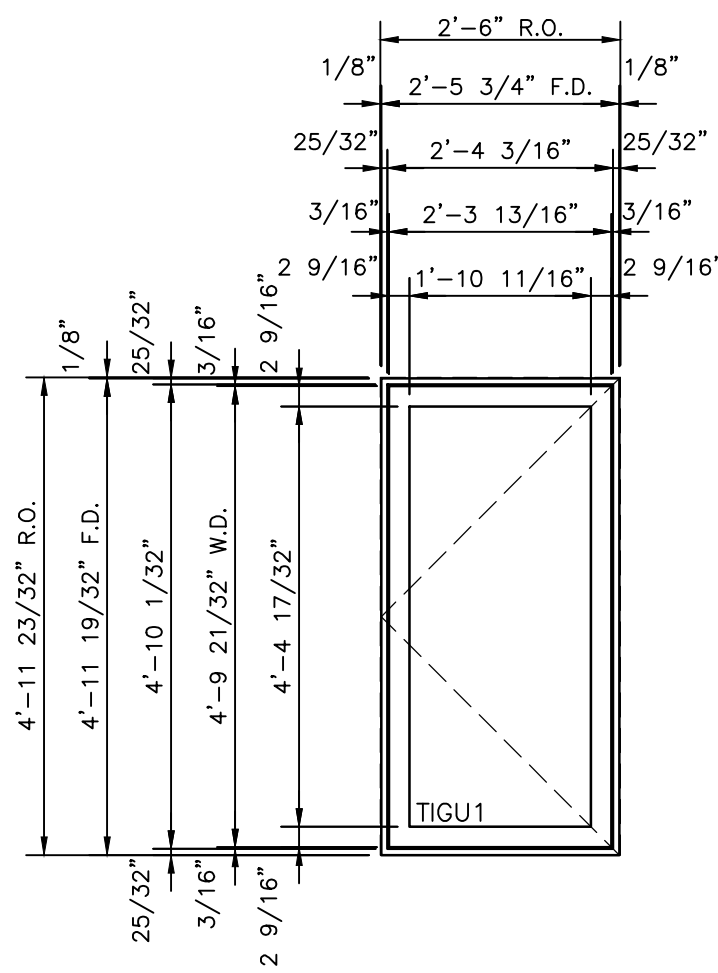
**ELEVATION AA**  
QTY. 14 Total  
OPERABLE  
FRAMES 'A','B','C'



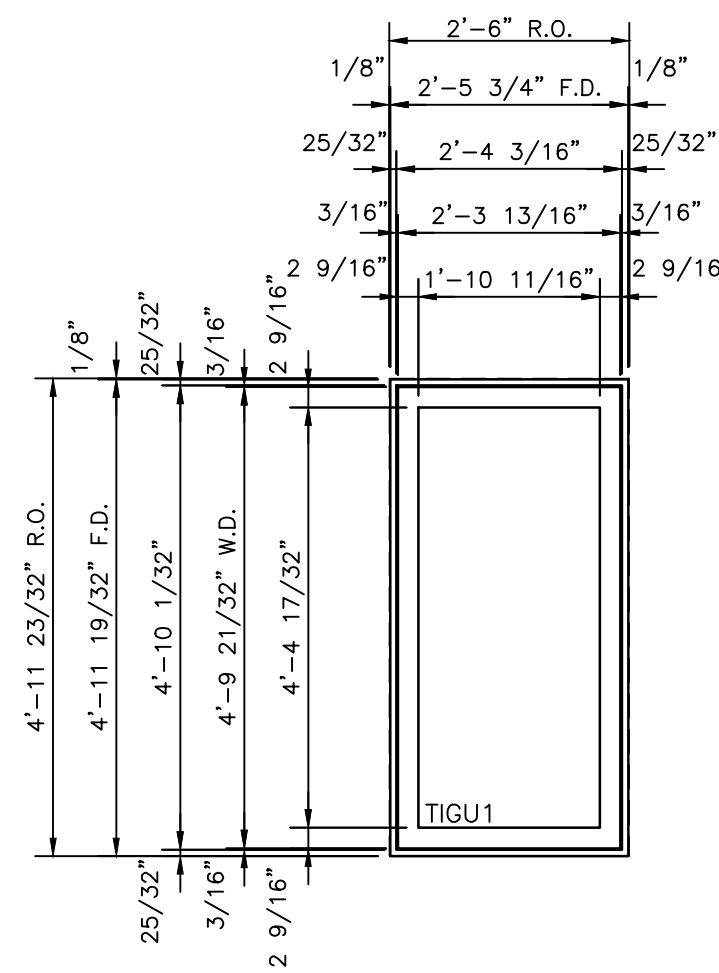
**ELEVATION AA.1**  
QTY. 13 Total  
NON-OPERABLE  
FRAMES 'A','B.1'



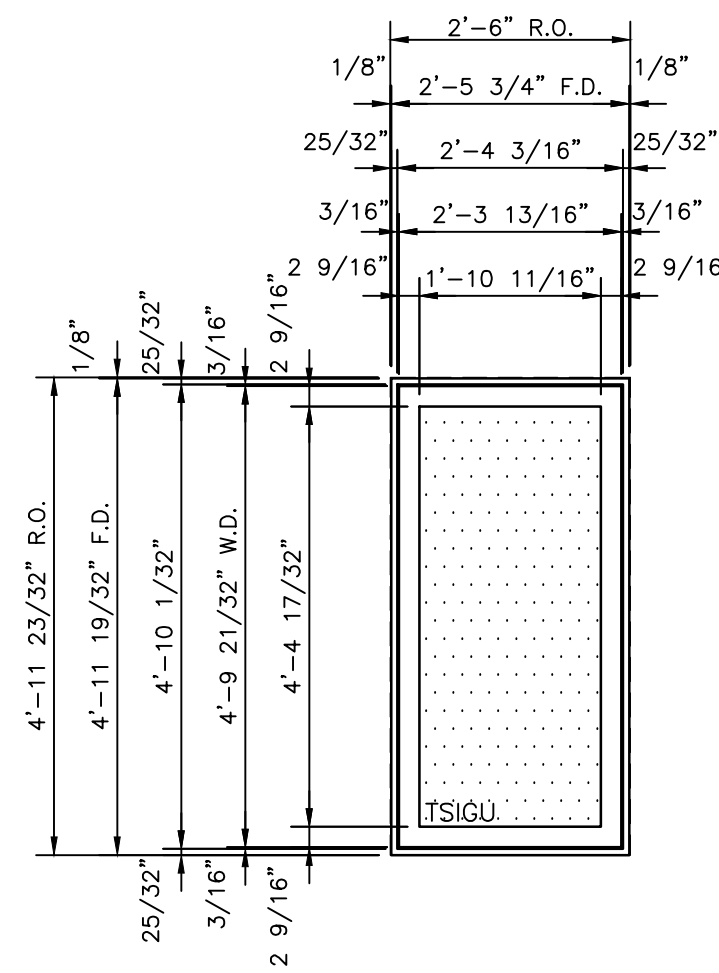
**ELEVATION AA.2**  
QTY. 1 Total  
NON-OPERABLE/OBSCURED  
FRAME 'A.2'



**ELEVATION AA.3**  
QTY. 198 Total  
OPERABLE  
FRAMES 'C','D','H'



**ELEVATION AA.4**  
QTY. 97 Total  
NON-OPERABLE  
FRAMES 'C.1','D.1','H.1'



**ELEVATION AA.5**  
QTY. 20 Total  
NON-OPERABLE/OBSCURED  
FRAMES 'C.2','D.2'

NOTE: NON-OPERABLE WINDOWS CONSIST OF USING OPERABLE WINDOWS USING CUSTODIAL LOCKS

NOTE: NON-OPERABLE WINDOWS CONSIST OF USING OPERABLE WINDOWS USING CUSTODIAL LOCKS

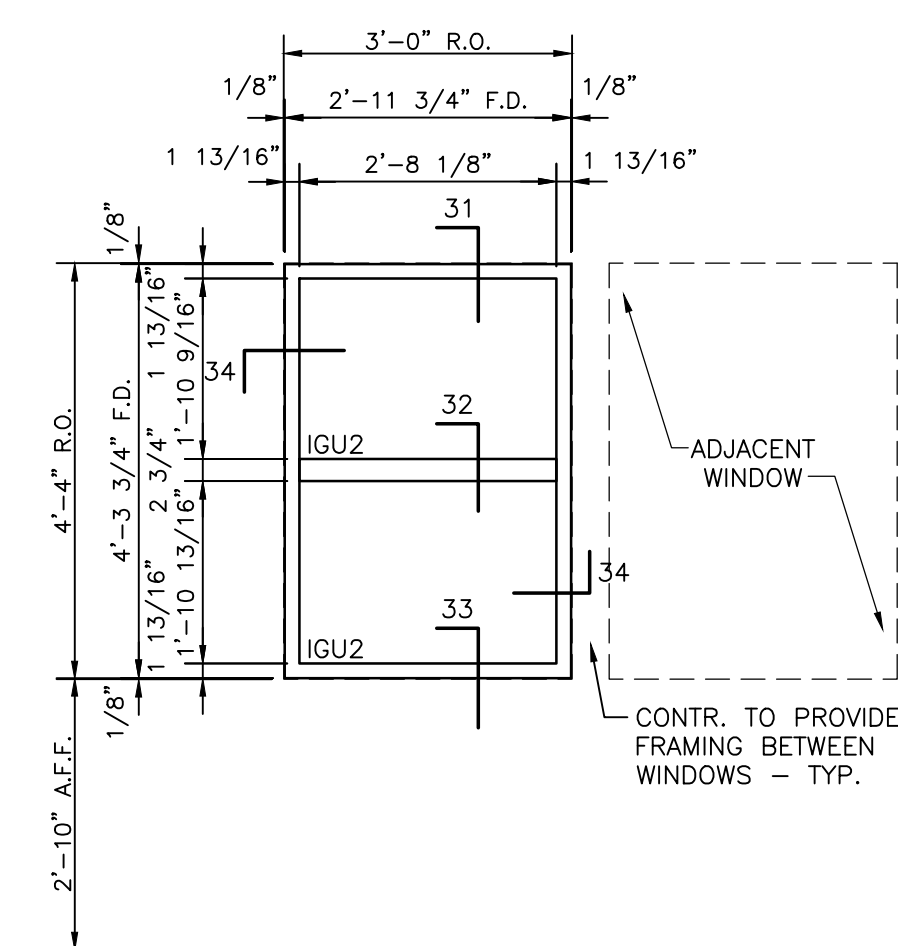
NOTE: NON-OPERABLE WINDOWS CONSIST OF USING OPERABLE WINDOWS USING CUSTODIAL LOCKS

NOTE: NON-OPERABLE WINDOWS CONSIST OF USING OPERABLE WINDOWS USING CUSTODIAL LOCKS

SAMPLE ONLY

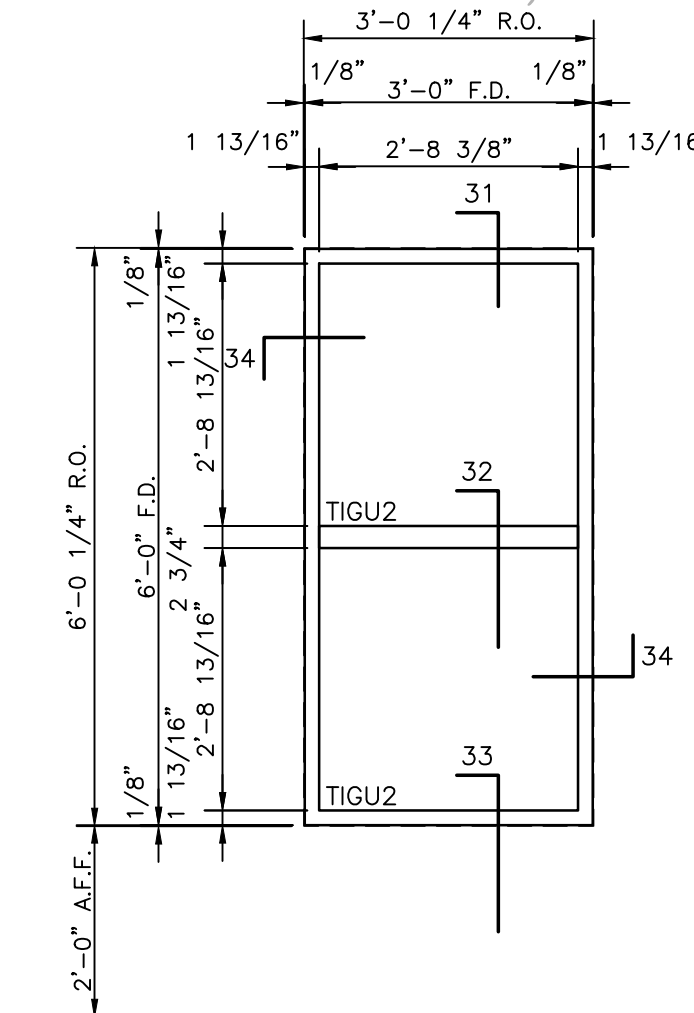
1 CASEMENT SERIES 7400 Window Elevations AA-AA.5  
SD-7 1/2" = 1'-0"

COPYRIGHT BY  
CREATIVE CONCEPTS AND DESIGN, INC.



**ELEVATION Y**  
QTY. 16 Total

ROOM #:  
M100C



**ELEVATION CC**  
QTY. 1 Total

**ELEVATION CC.1**

ROOM #:  
Q116

3 Fixed Window Series 7400 Elevation Y  
SD-7 1/2" = 1'-0"

2 Fixed Window Series 7400 Elevations Y, CC, CC.1  
SD-7 1/2" = 1'-0"

GLAZING LEGEND:	
EFG	1/4" ACID ETCHED FLOAT GLASS
EQIU	1" ACID ETCHED INSULATED GLASS UNIT
FG	1/4" CLEAR FLOAT GLASS
FRG	FIRE RATED GLASS
HIG	HIGH IMPACT GLAZING (PLASTIC)
IGU1	1" INSULATED GLASS UNIT W/ LOW-E COATING
IGU2	1" INSULATED GLASS UNIT W/ LOW-E COATING LAMINATED GLASS
LG	LAMINATED GLASS
SIGU	1" SPANDREL INSULATED GLASS UNIT
TSIGU	1" TEMPERED SPANDREL INSULATED GLASS UNIT
SFRG	SAFETY FIRE RATED GLASS
TEFG	1/4" TEMPERED ACID ETCHED INSULATED GLASS UNIT
TEIGU	1" TEMPERED ACID ETCHED INSULATED GLASS UNIT
TFG	1/4" TEMPERED FLOAT GLASS
TIGU1	1" TEMPERED INSULATED GLASS UNIT W/ LOW-E COATING
TIGU2	1" TEMPERED INSULATED GLASS UNIT W/ LOW-E COATING

HATCH LEGEND:	
SPANDREL UNIT	ACID ETCHED

PROJECT

Project Name:  
**COMPREHENSIVE HIGH SCHOOL & TECHNOLOGY CENTER**

Location:

Project No.:

Attention:

ARCHITECT

Architect:

Attention:

Architect Project No.:

CONTRACTOR

Contractor:

Attention:

SHEET TITLE

**WINDOW 7400 SERIES FRAME ELEVATIONS**

REVISIONS

- 1.
- 2.
- 3.

DATE ISSUED

10.23.08

SHEET NO.

**SD-7**  
13 OF 19