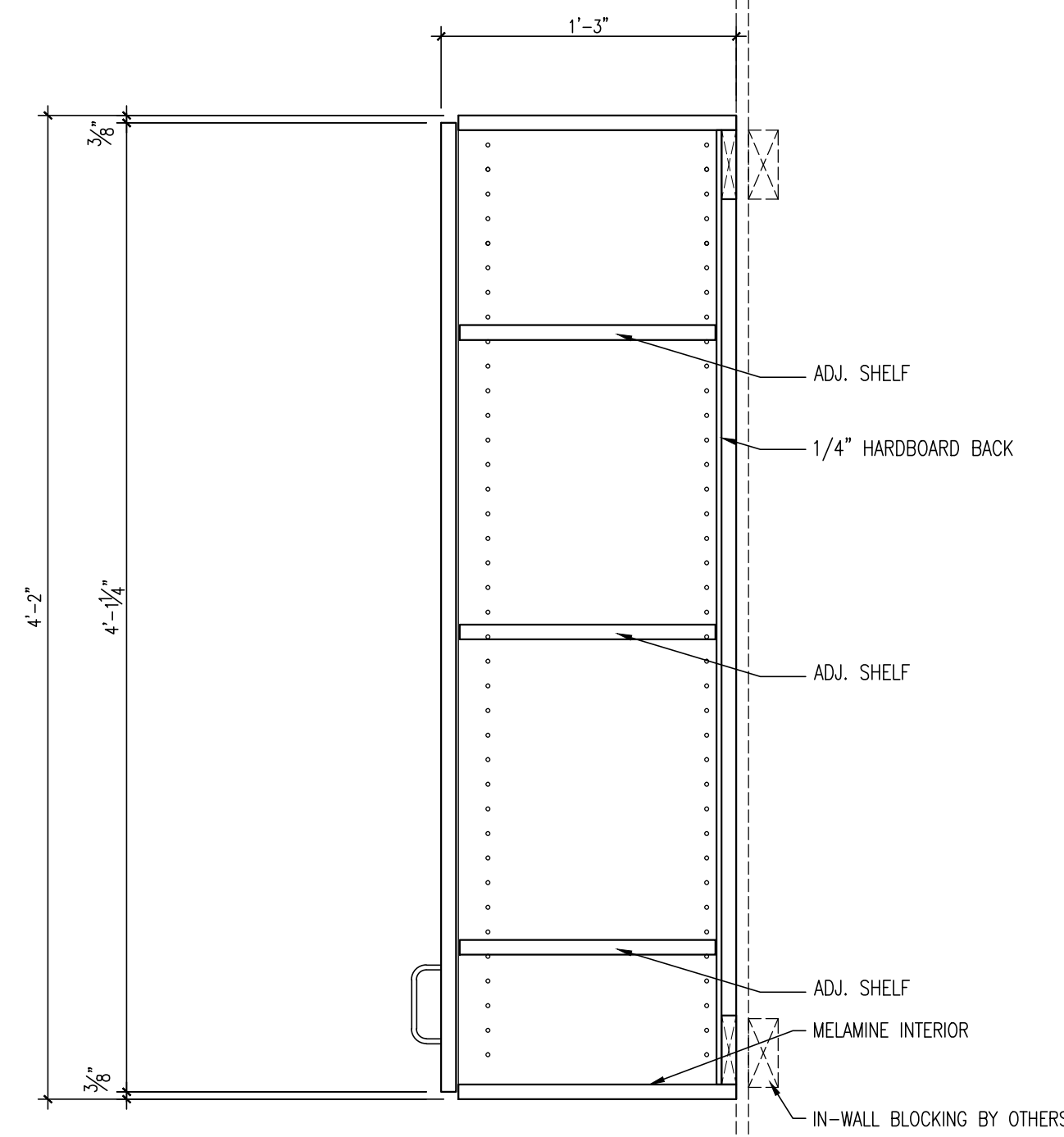
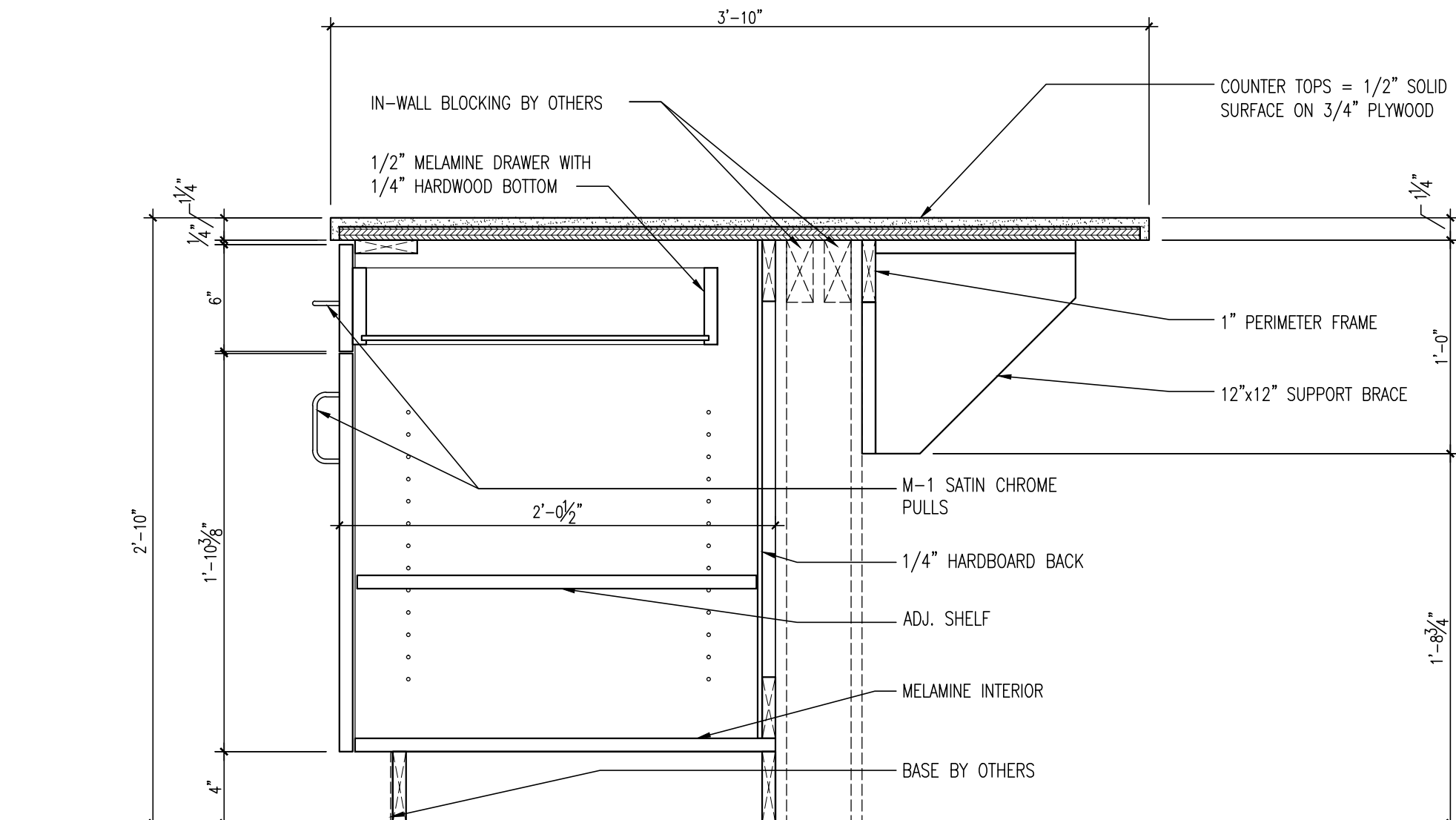


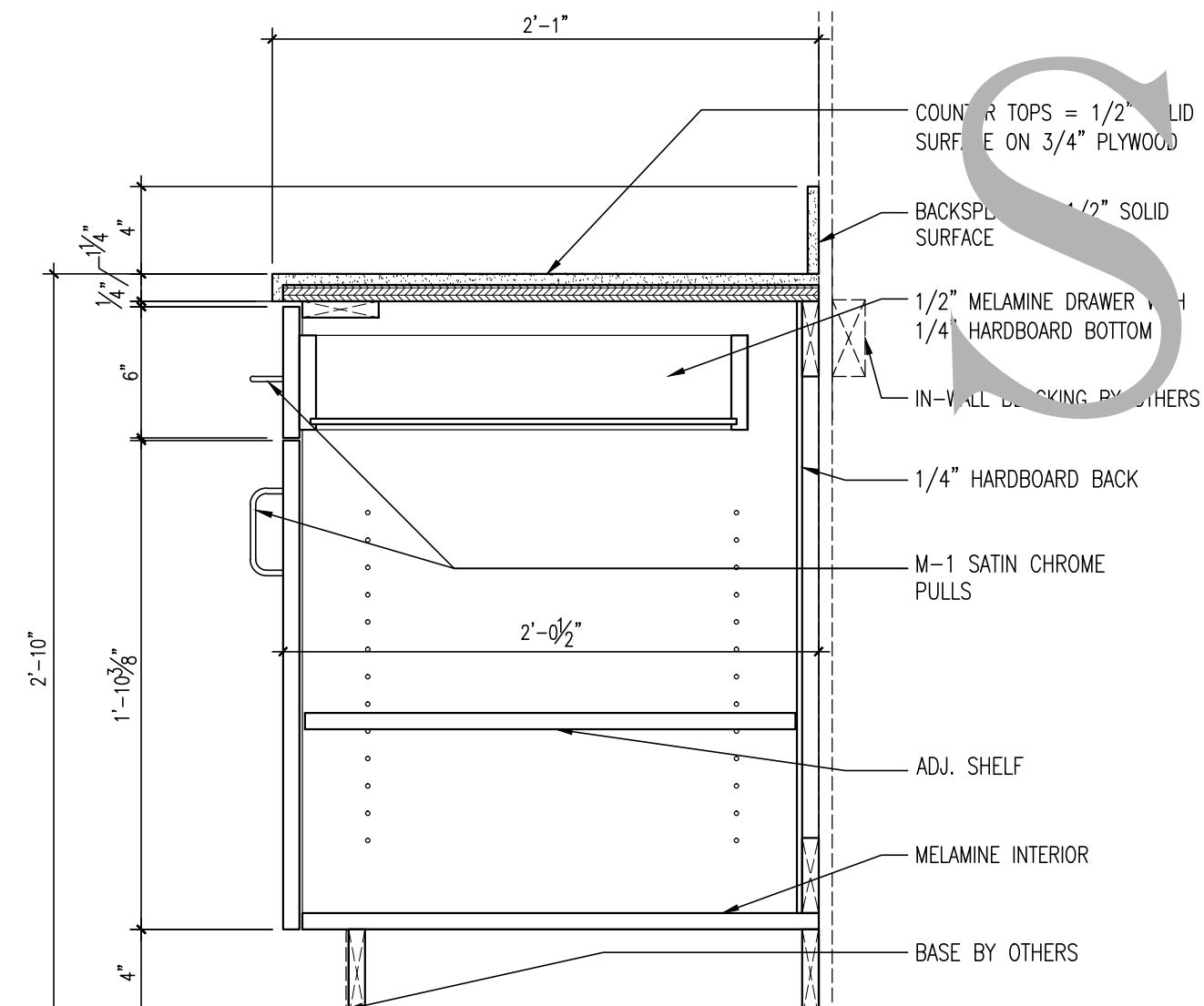
1 SECTION
SD-8 SCALE: 1-1/2" = 1'-0"



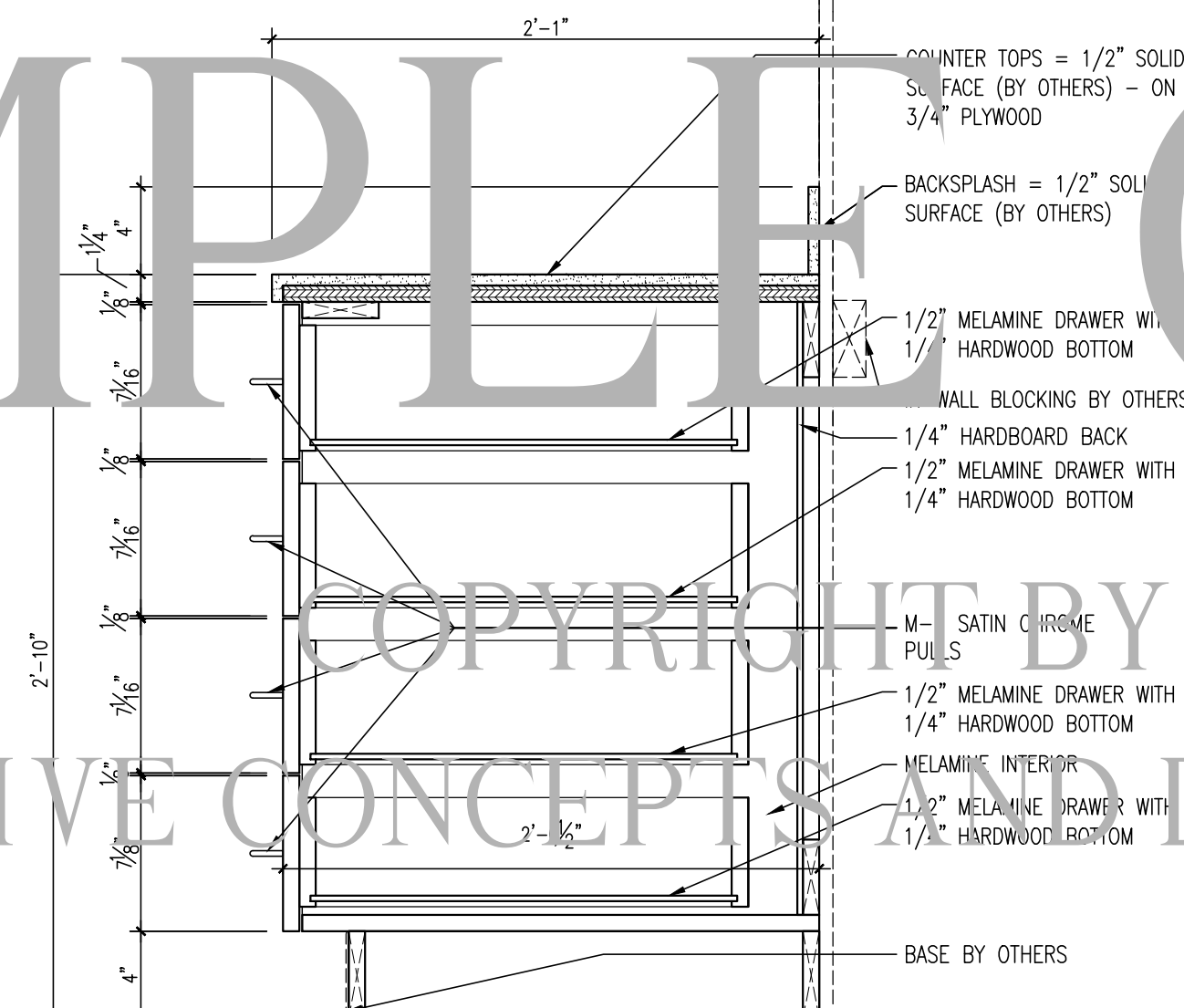
2 SECTION
SD-8 SCALE: 1-1/2" = 1'-0"



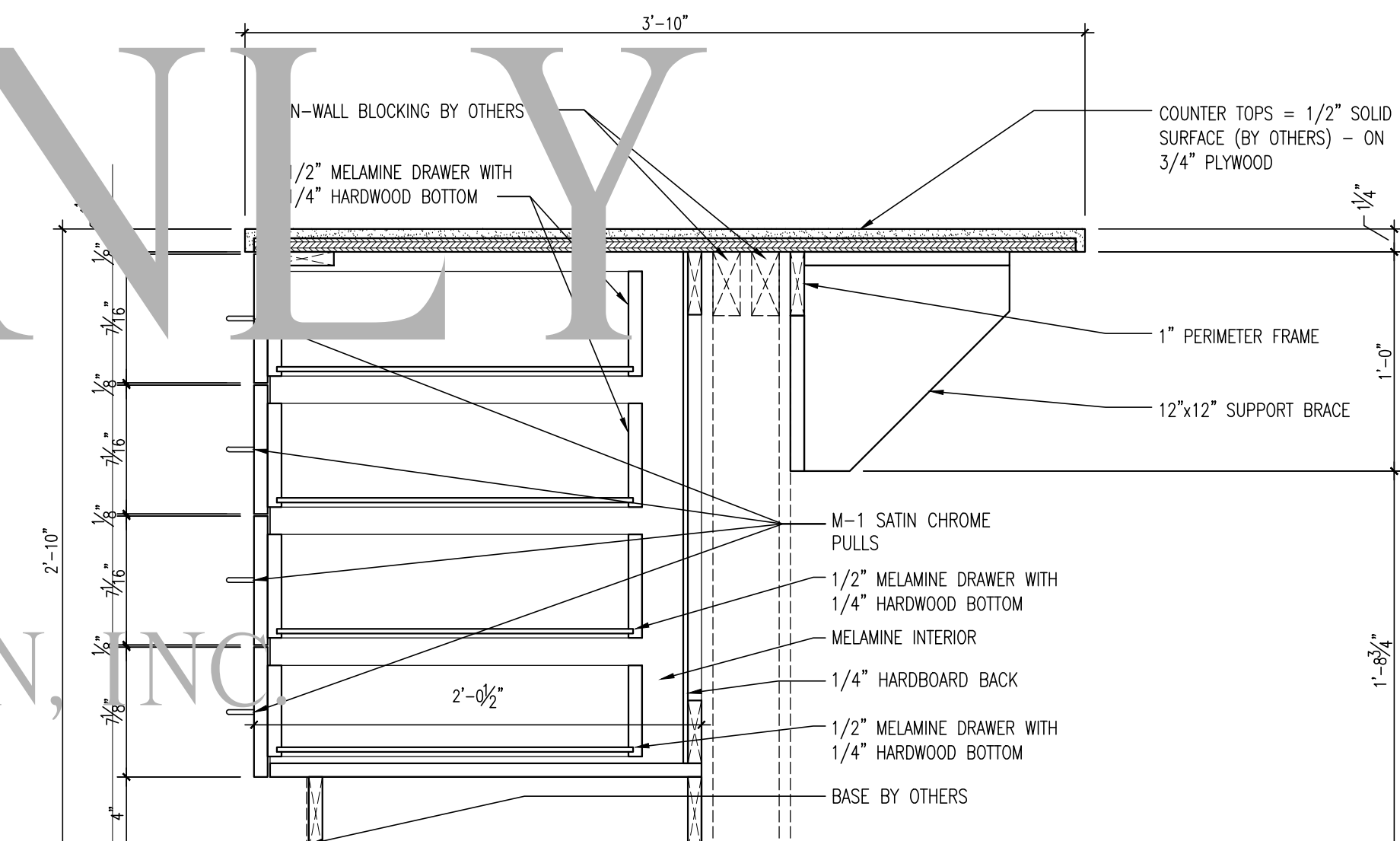
3 SECTION
SD-8 SCALE: 1-1/2" = 1'-0"



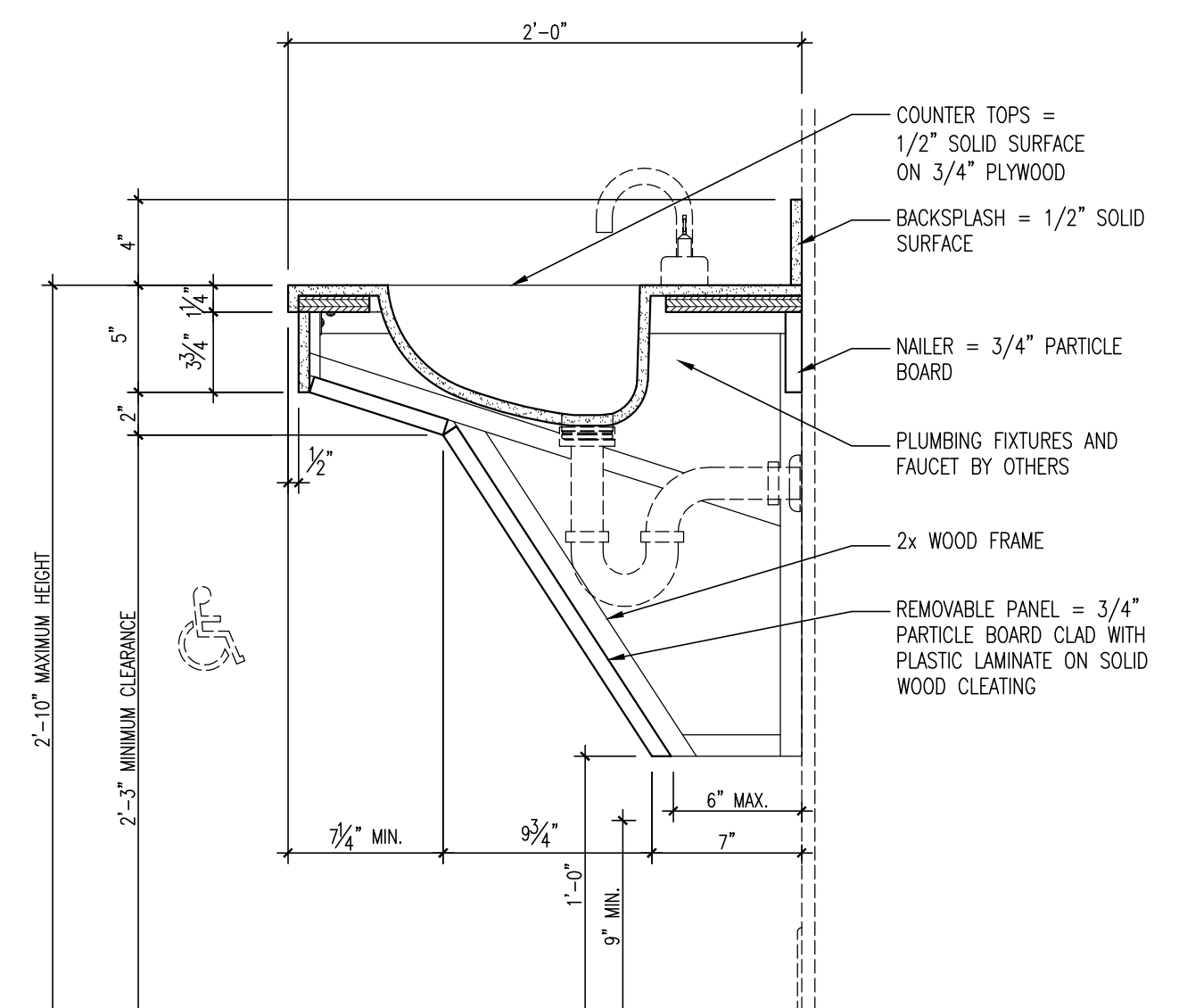
4 SECTION
SD-8 SCALE: 1-1/2" = 1'-0"



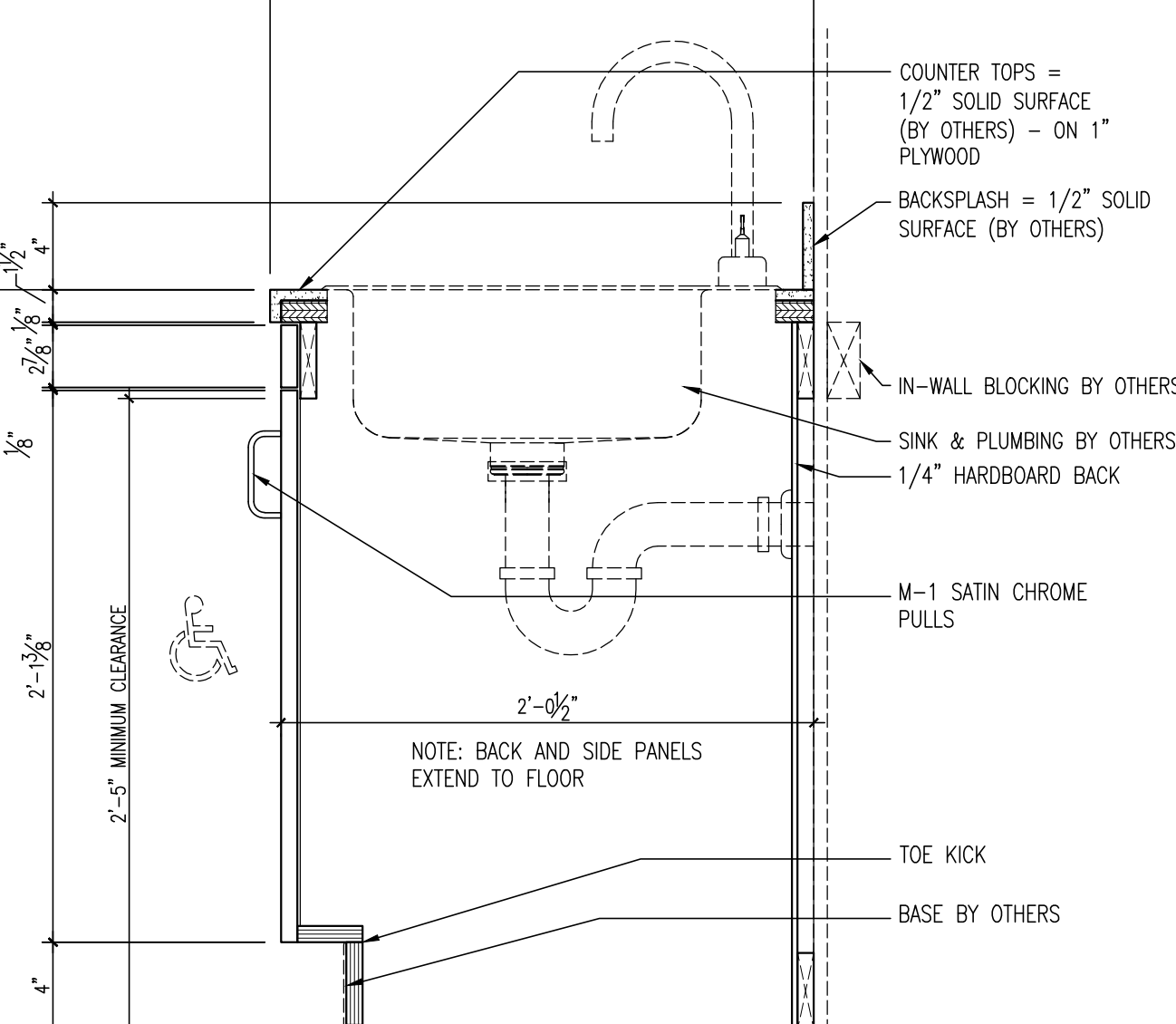
5 SECTION
SD-8 SCALE: 1-1/2" = 1'-0"



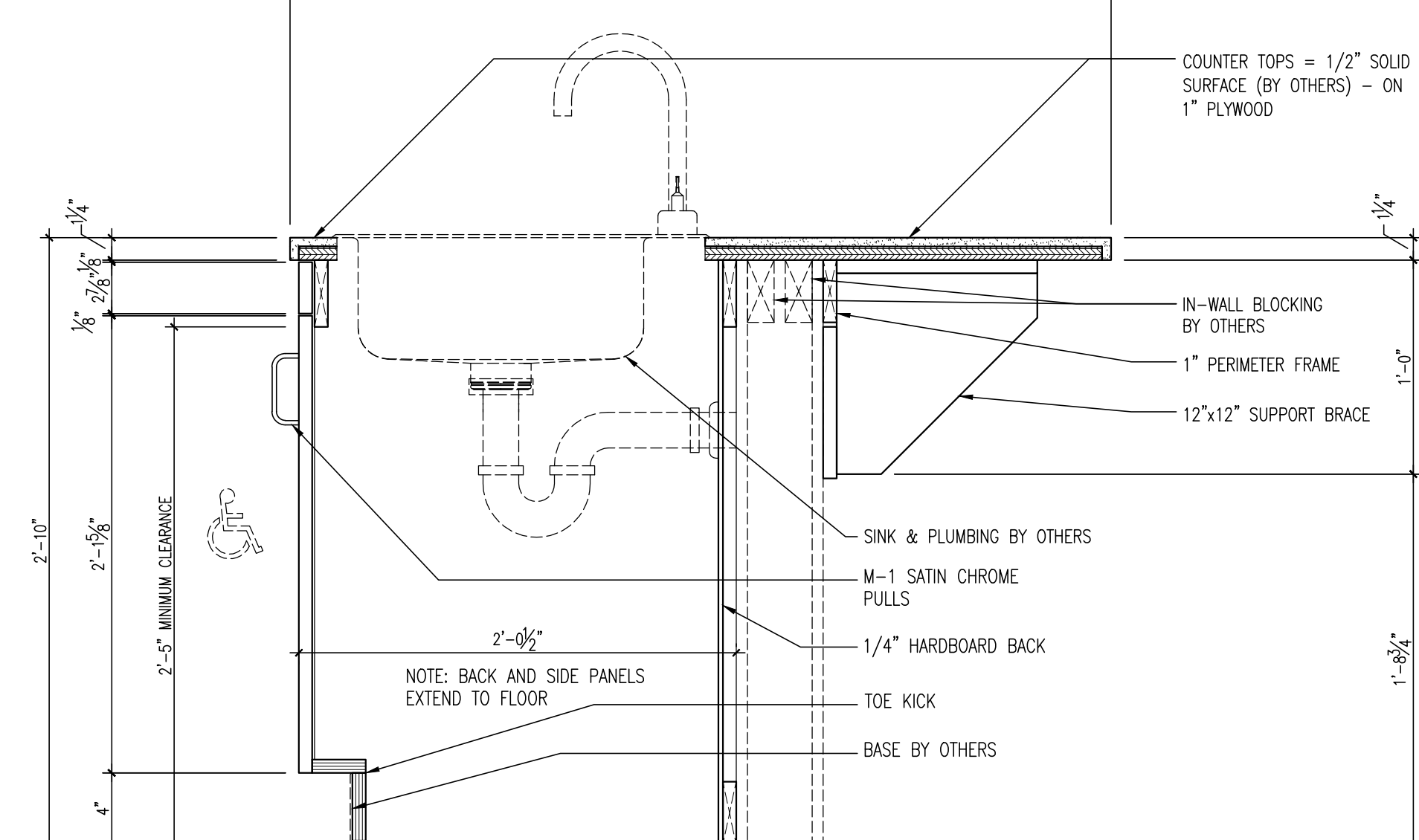
6 SECTION
SD-8 SCALE: 1-1/2" = 1'-0"



7 SECTION
SD-8 SCALE: 1-1/2" = 1'-0"



8 SECTION
SD-8 SCALE: 1-1/2" = 1'-0"



9 SECTION
SD-8 SCALE: 1-1/2" = 1'-0"

SAMPLE ONLY

COPYRIGHT BY
CREATIVE CONCEPTS AND DESIGN, INC.

NOT FOR CONSTRUCTION

CONTRACTOR:

ARCHITECT:

FOR REVIEW ONLY



SUBJECT: SHOP DRAWINGS
REVISIONS:

JOB NO: 3083
DATE: 9-29-15
DRAWN BY: CCO

SHEET NO:
SD-8
OF 10