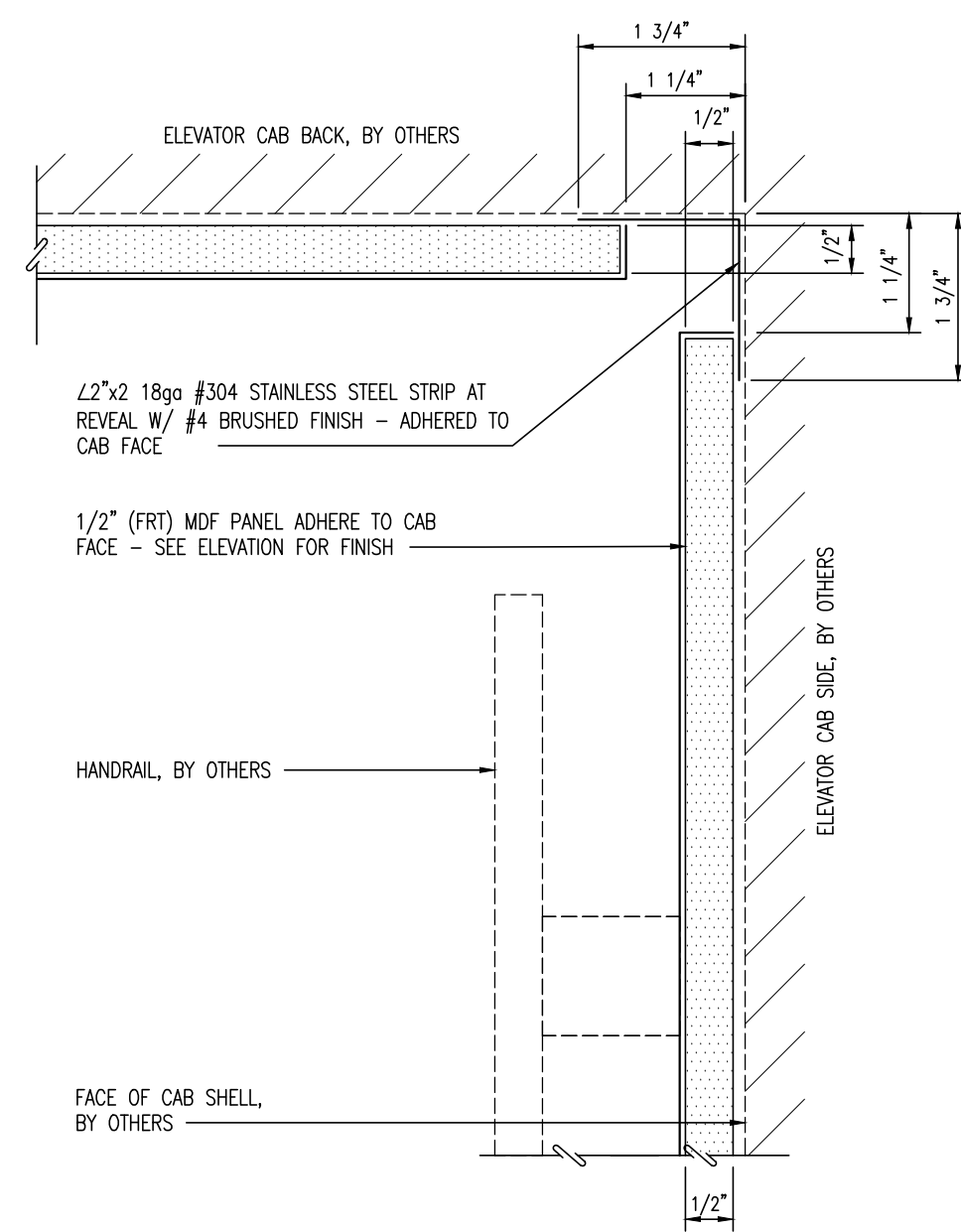
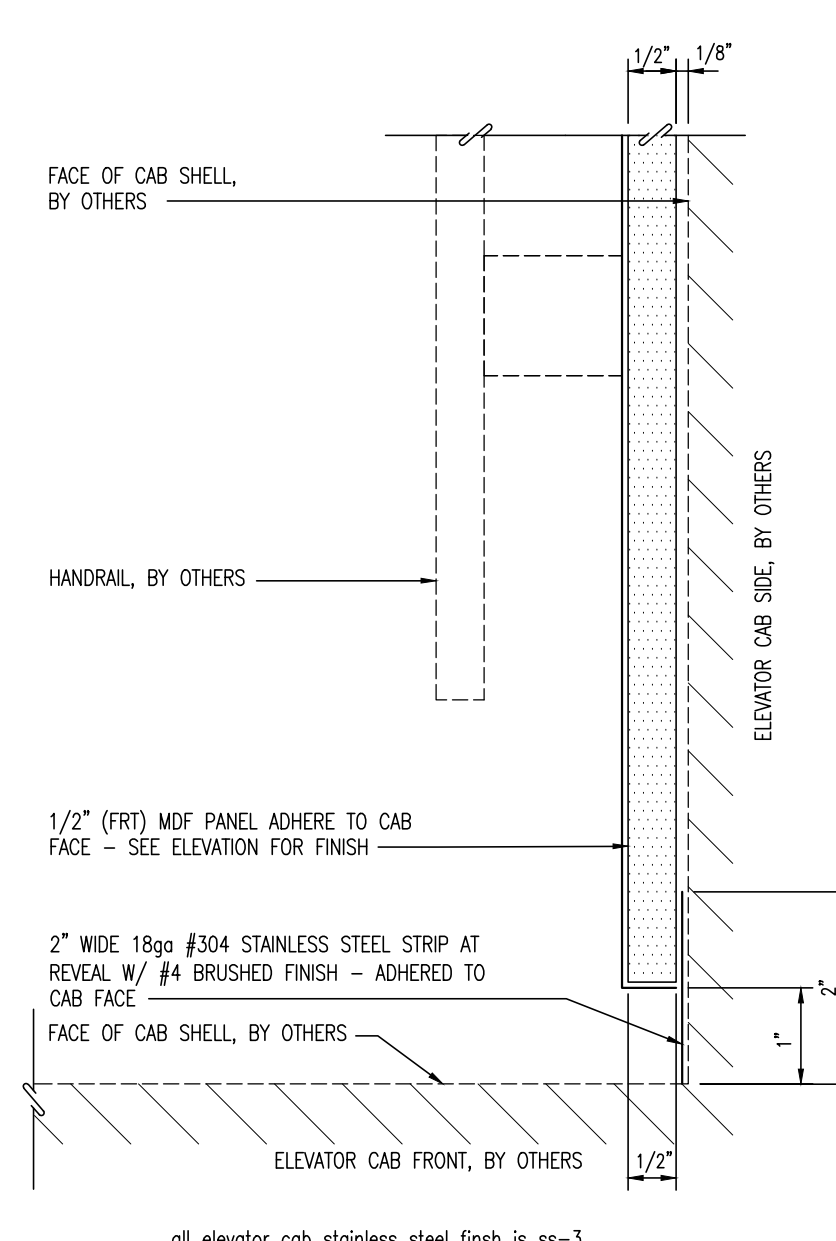


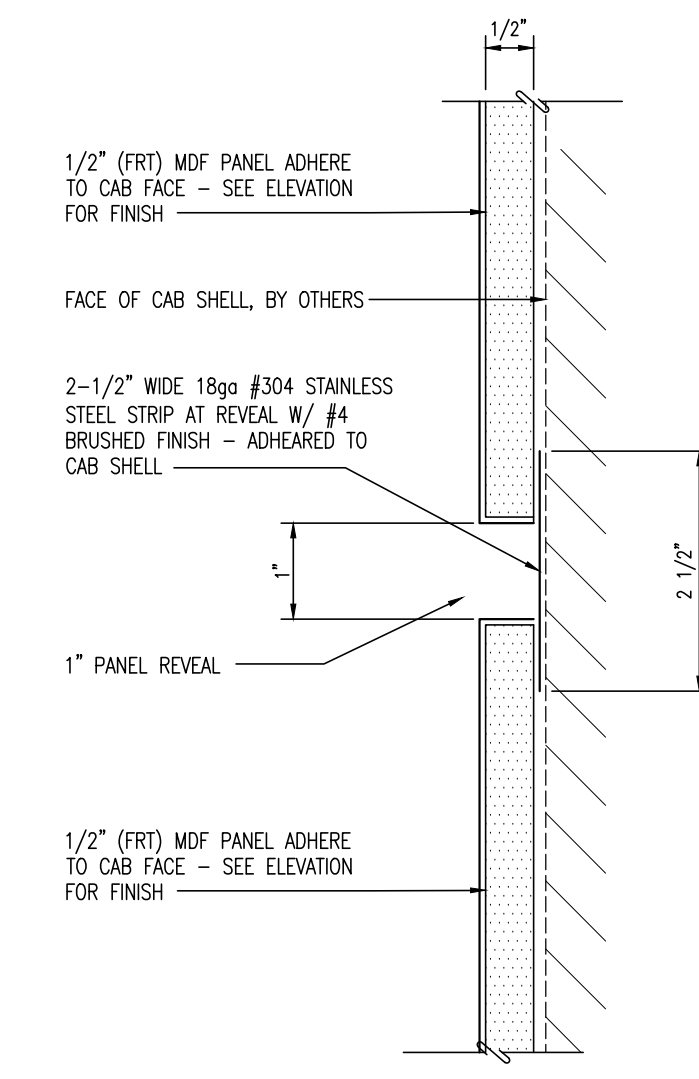
1 TOP @ SIDES AND BACK DETAIL
SD-5 SCALE: 6"=1'-0" ARCH REF. = 10/A602



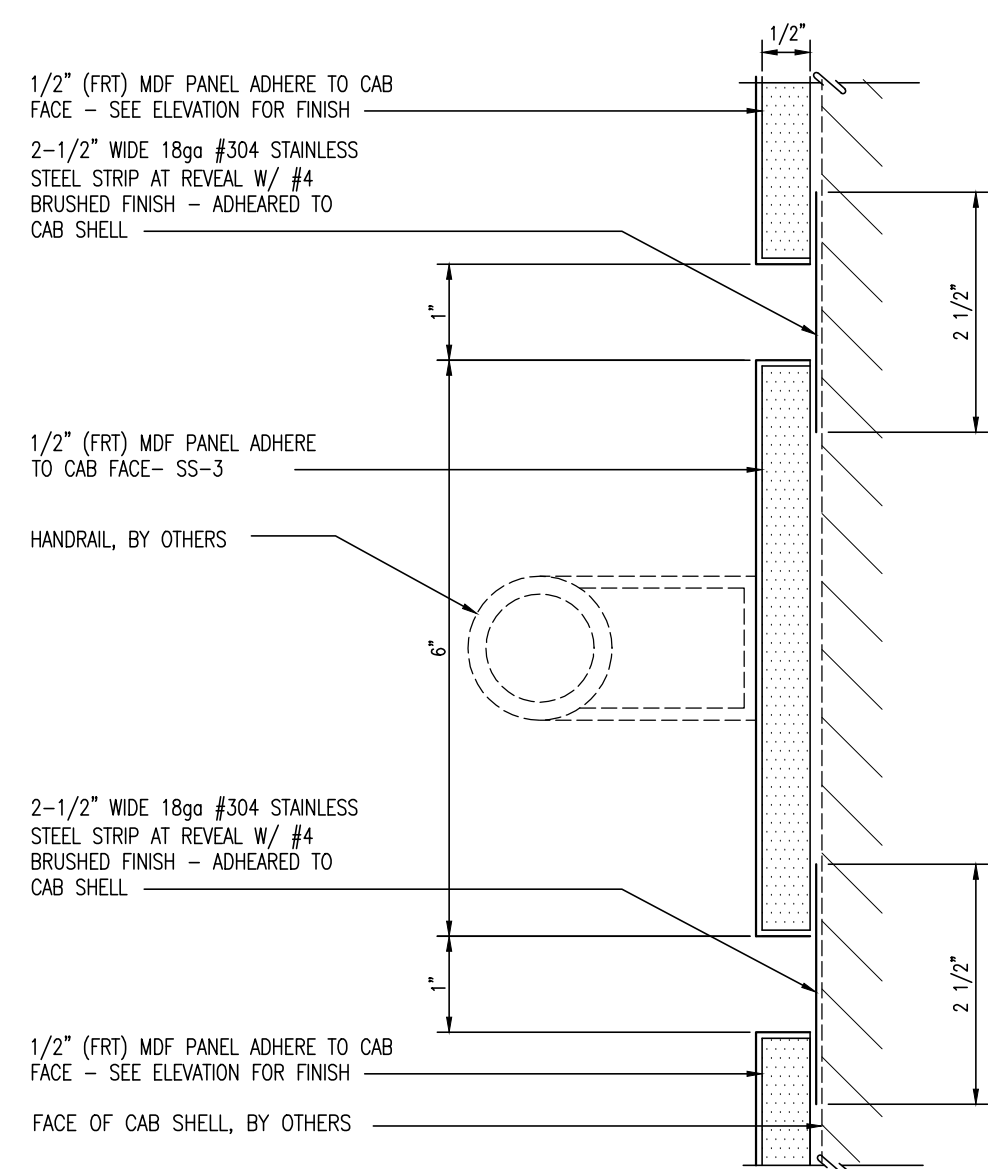
2 BACK CORNER DETAIL
SD-5 SCALE: 6"=1'-0" ARCH REF. = 10/A602



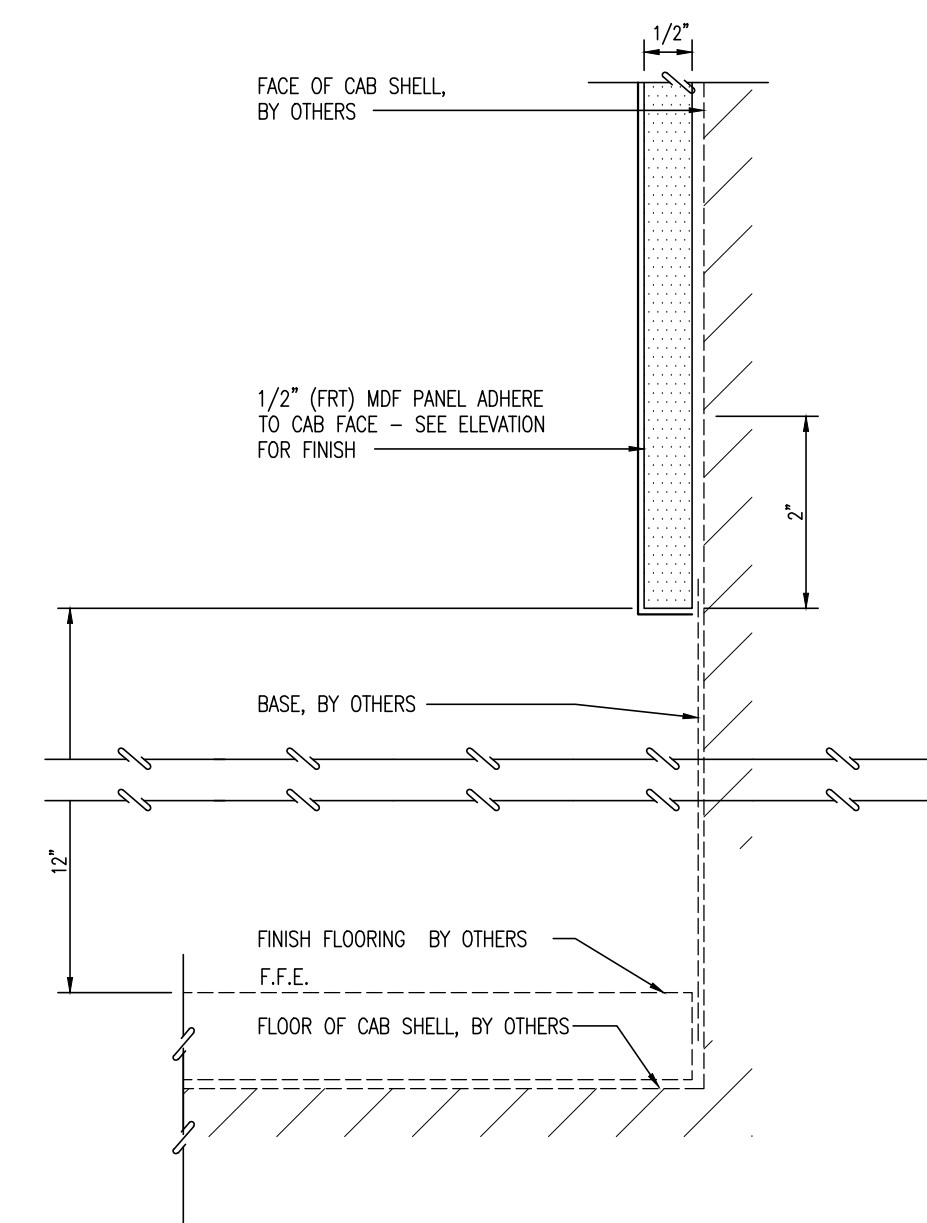
3 FRONT CORNER DETAIL
SD-5 SCALE: 6"=1'-0" ARCH REF. = 10/A602



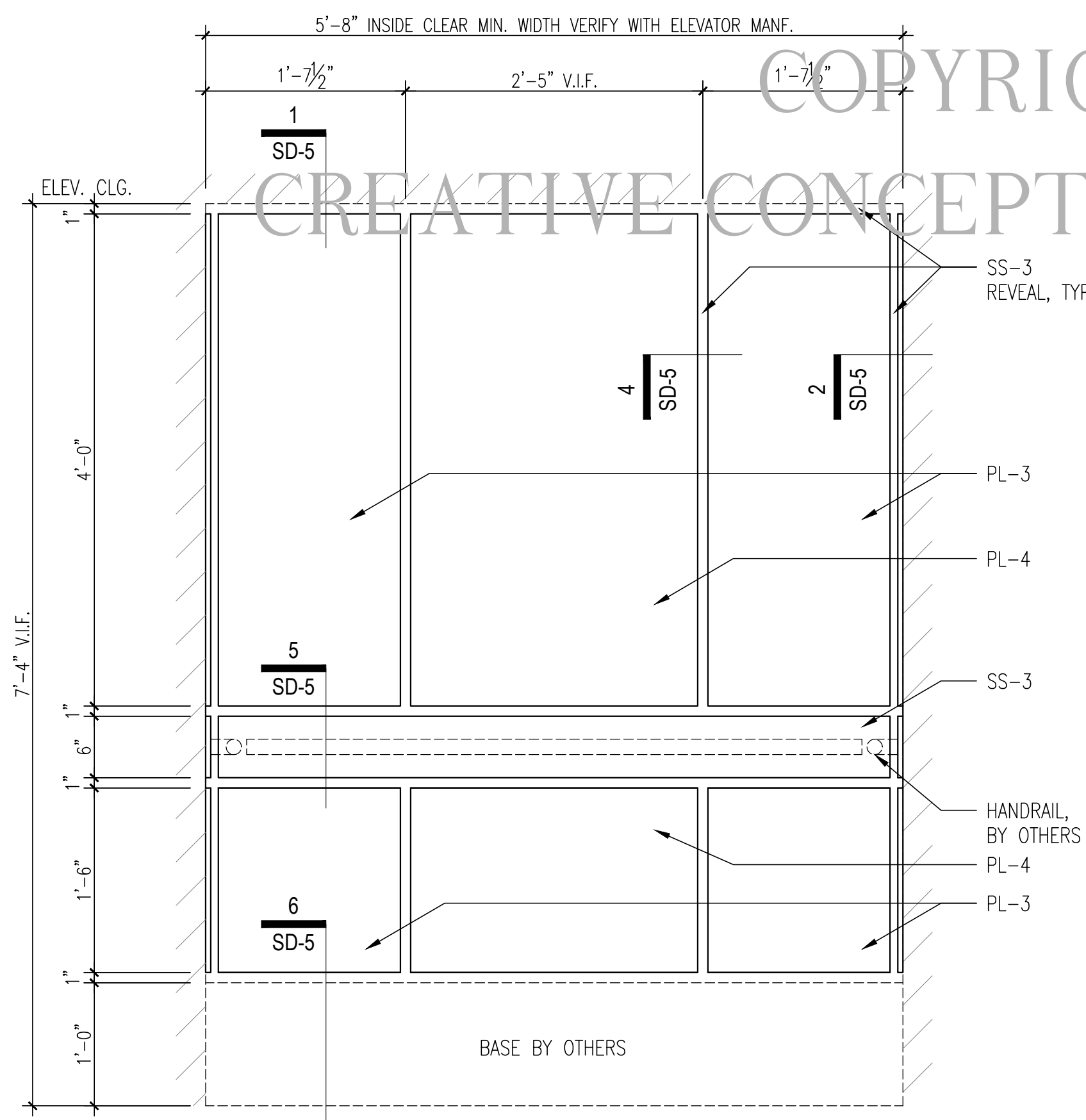
4 VERTICAL JOINT DETAIL
SD-5 SCALE: 6"=1'-0" ARCH REF. = 10/A602



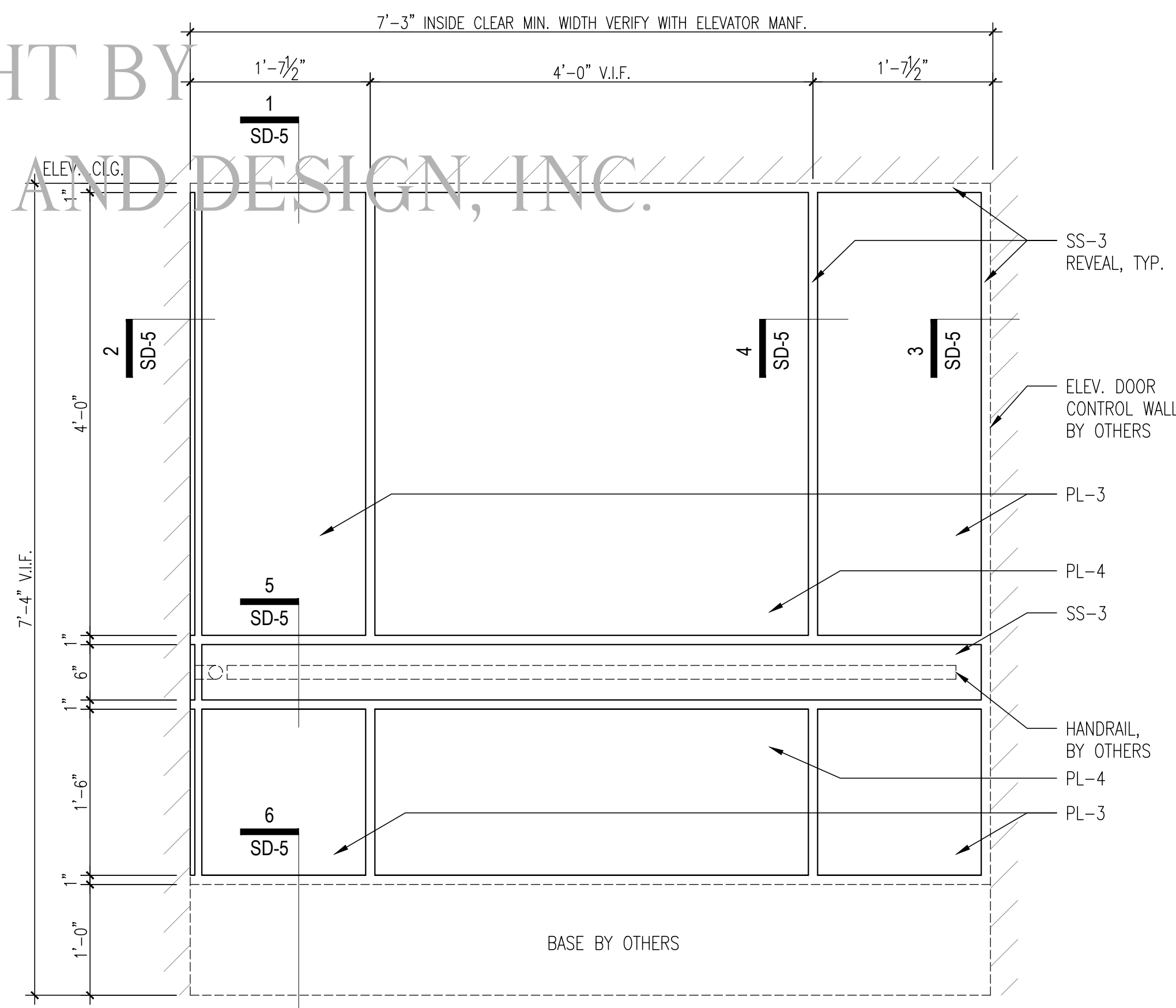
5 HANDRAIL DETAIL
SD-5 SCALE: 6"=1'-0" ARCH REF. = 10/A602



6 BASE DETAIL
SD-5 SCALE: 6"=1'-0" ARCH REF. = 10/A602



7 ELEVATION @ ELEVATOR - 193
SD-5 SCALE: 1\"/>



8 ELEVATION @ ELEVATOR - 193
SD-5 SCALE: 1\"/>

SAMPLE ONLY

COPYRIGHT BY
CREATIVE CONCEPTS AND DESIGN, INC.

- FINISH SCHEDULE**
- PLASTIC LAMINATE (PL-1): WILSONART - 4879-38 STEEL MESH WITH MATCHING 3MM PVC EDGING
 - PLASTIC LAMINATE (PL-2): NEVAMAR - FOUNDRY TEXTURED S 2084T, WITH MATCHING 3MM PVC EDGING
 - PLASTIC LAMINATE (PL-3): NEVAMAR - VU5001 T MALLEABLE MUSE
 - PLASTIC LAMINATE (PL-4): WILSONART - 4886-38 PEARL SOAPSTONE
 - PLASTIC LAMINATE (PL-5): FORMICA - 5883-58 PECAN WOODLINE, MATTE FINISH
 - SOLID SURFACE (SSM-1): LG HI-MACS - GALAXY VENUS T001, MATTE FINISH
 - SYNTHETIC STONE (SSM-2): CAMBRIA - DARLINGTON QUARTZ, POLISHED
 - STAINLESS STEEL (SS-3): #4 BRUSHED STAINLESS STEEL
 - UPHOLSTERY (FB-1): VINYL / CATALYST 3352-801, COLOR: RIVER STONE, 54" WIDE, REPEAT: V-18.75" x H-18"
 - WALL PANEL (WD-1): SPECIES, CUT AND STAIN COLOR TO MATCH ACT 2

NOT FOR CONSTRUCTION

FOR REVIEW ONLY

CONTRACTOR:

ARCHITECT:

SUBJECT: SHOP DRAWINGS

REVISIONS:

JOB NO: 3083

DATE: 9-29-15 DRAWN BY: CGO

SHEET NO: SD-5

OF 10