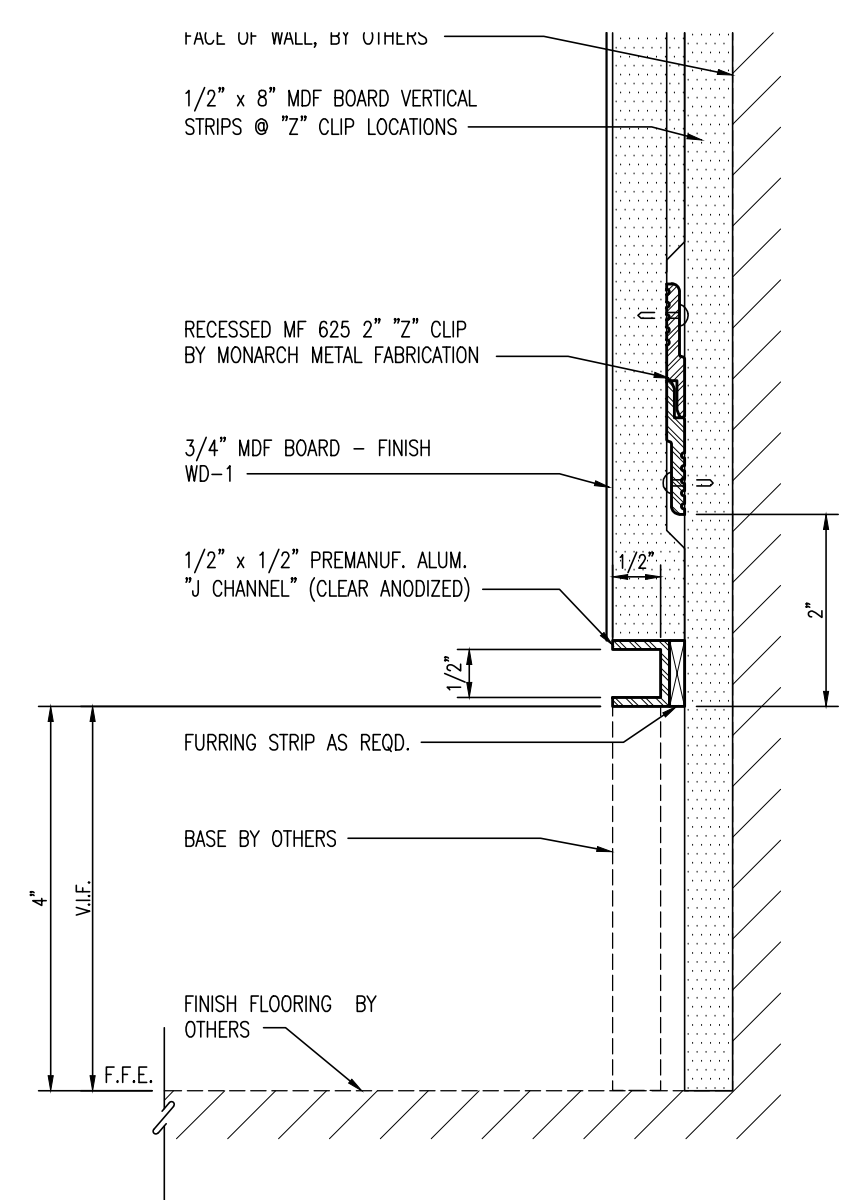
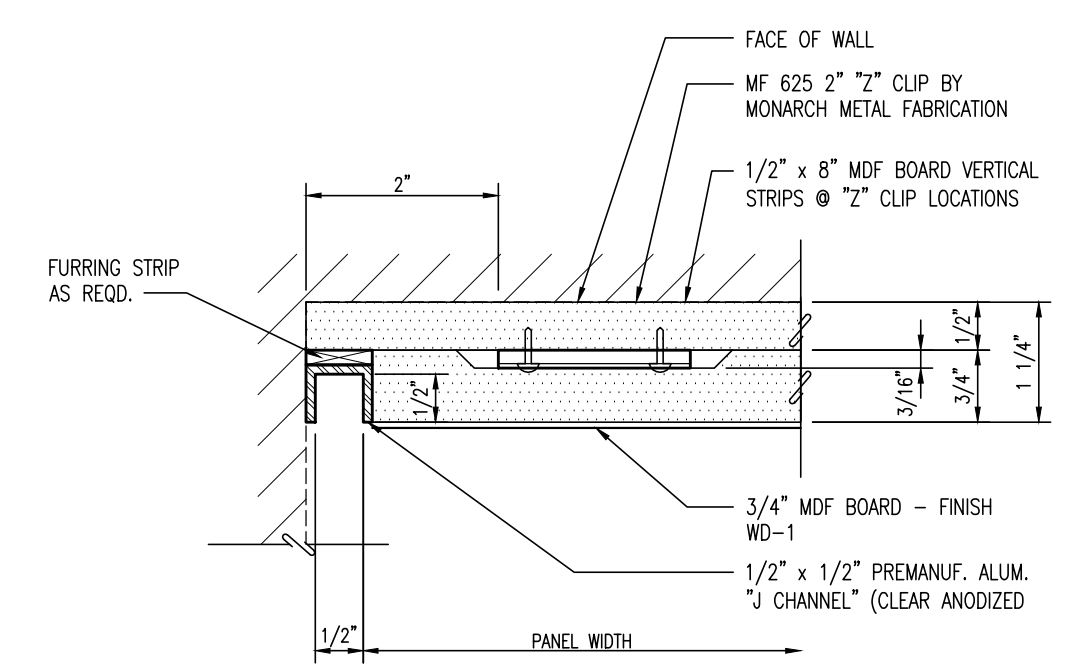


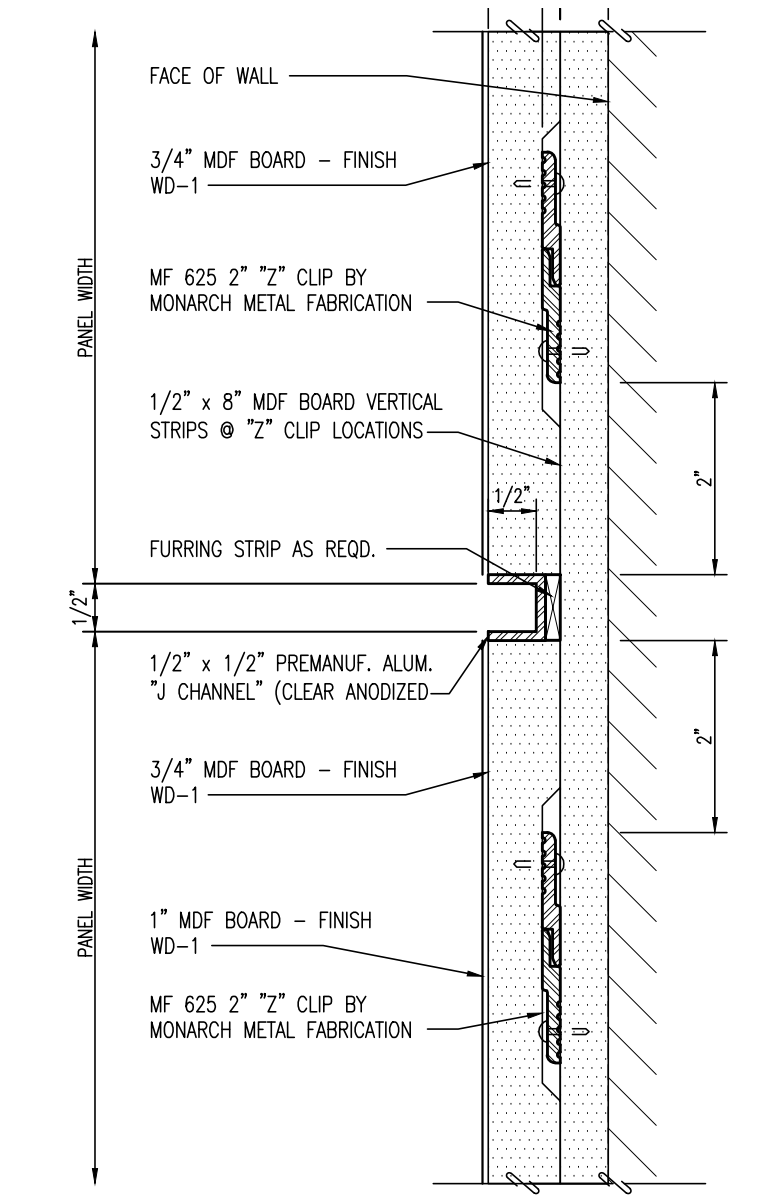
1 OUTSIDE CORNER DETAIL  
 SD-4 SCALE: 6" = 1'-0" ARCH. REF. = 10/A602



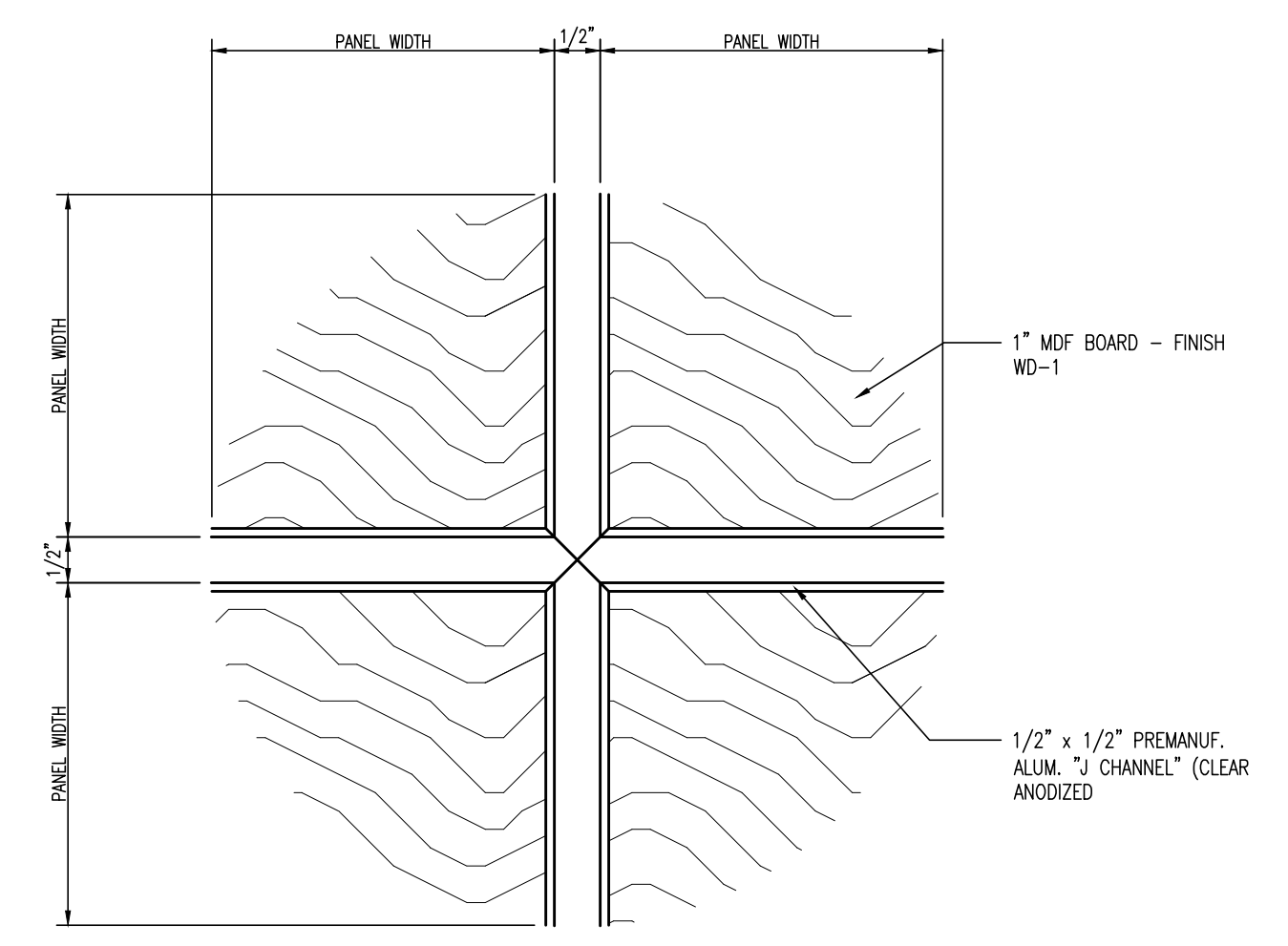
2 BASE DETAIL  
 SD-4 SCALE: 6" = 1'-0" ARCH. REF. = 10/A602



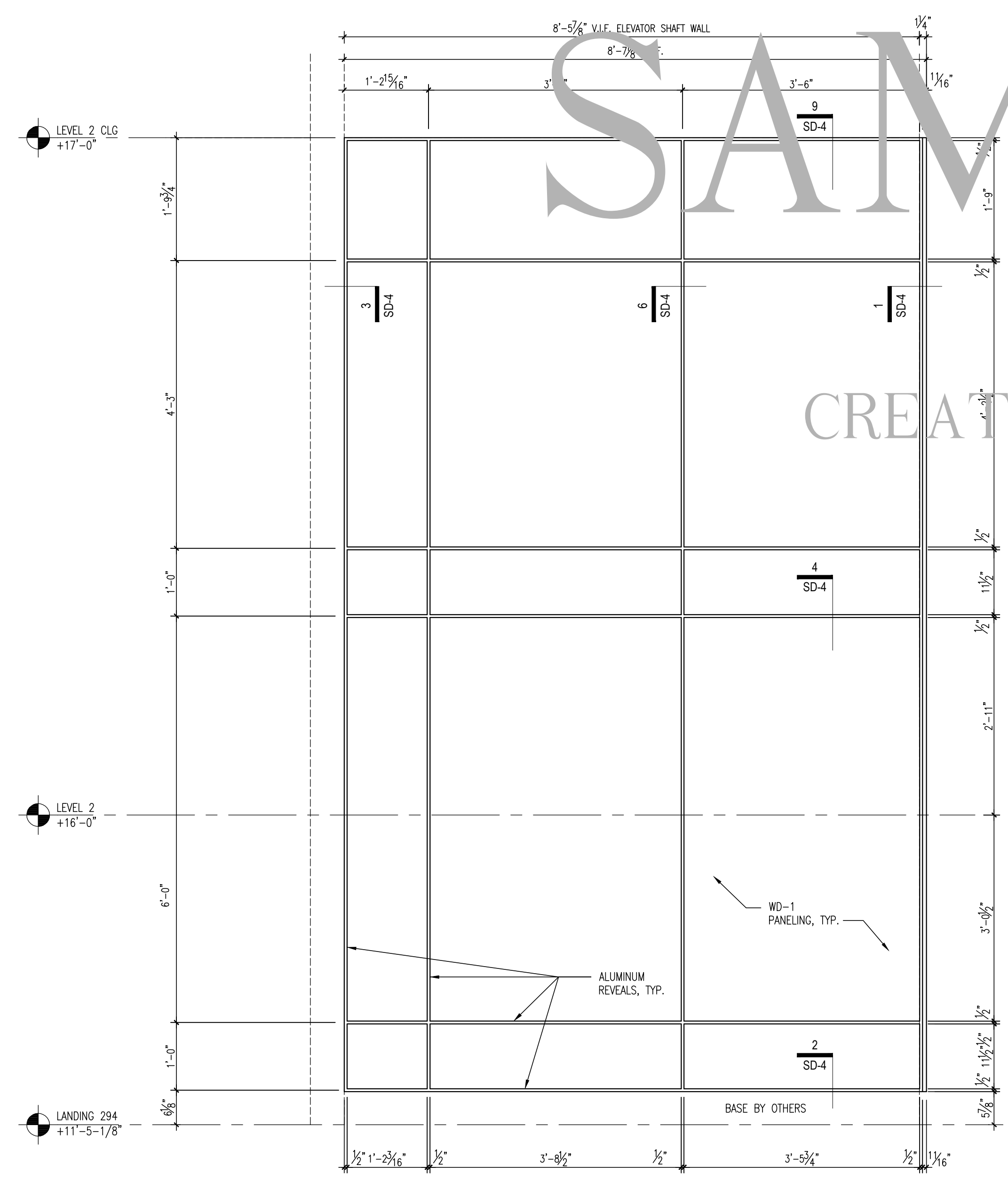
3 INSIDE CORNER DETAIL  
 SD-4 SCALE: 6" = 1'-0" ARCH. REF. = 10/A602



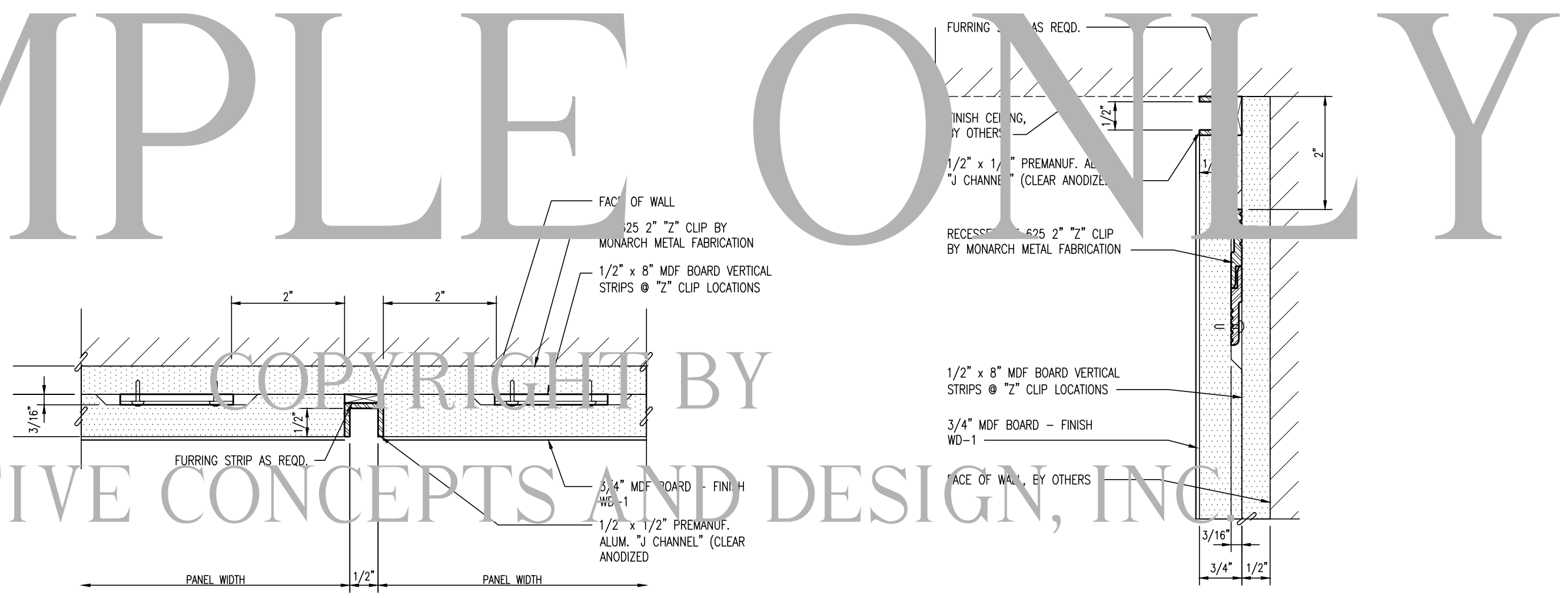
4 HORIZONTAL JOINT DETAIL  
 SD-4 SCALE: 6" = 1'-0" ARCH. REF. = 10/A602



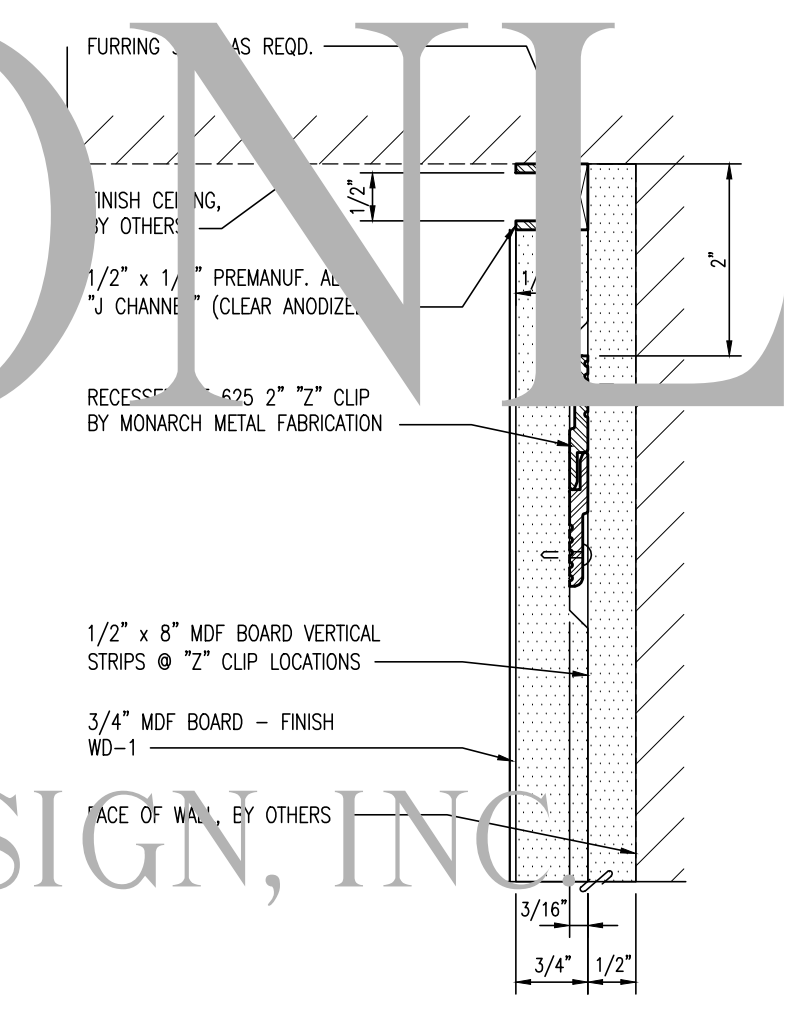
5 JOINT INTERSECTION DETAIL  
 SD-4 SCALE: 6" = 1'-0" ARCH. REF. = 10/A602



6 ELEVATION @ LANDING - 294  
 SD-2 SCALE: 3/4" = 1'-0" ARCH. REF. = NONE  
 1 THIS



6 VERTICAL JOINT DETAIL  
 SD-4 SCALE: 6" = 1'-0" ARCH. REF. = 10/A602



9 HEAD DETAIL  
 SD-4 SCALE: 6" = 1'-0" ARCH. REF. = 4/A607

SAMPLE ONLY

COPYRIGHT BY  
 CREATIVE CONCEPTS AND DESIGN, INC

**FINISH SCHEDULE**

PLASTIC LAMINATE (PL-1):	WILSONART - 4879-38 STEEL MESH WITH MATCHING 3MM PVC EDGING
PLASTIC LAMINATE (PL-2):	NEVAMAR - FOUNDRY TEXTURED S 2084T, WITH MATCHING 3MM PVC EDGING
PLASTIC LAMINATE (PL-3):	NEVAMAR - VU5001 T MALLEABLE MUSE
PLASTIC LAMINATE (PL-4):	WILSONART - 4886-38 PEARL SOAPSTONE
PLASTIC LAMINATE (PL-5):	FORMICA - 5883-58 PECAN WOODLINE, MATTE FINISH
SOLID SURFACE (SSM-1):	LG HI-MACS - GALAXY VENUS T001, MATTE FINISH
SYNTHETIC STONE (SSM-2):	CAMBRIA - DARLINGTON QUARTZ, POLISHED
STAINLESS STEEL (SS-3):	#4 BRUSHED STAINLESS STEEL
UPHOLSTERY (FB-1):	VINYL/ CATALYST 3352-801, COLOR: RIVER STONE, 54" WIDE, REPEAT: V-18.75" x H-18"
WALL PANEL (WD-1):	SPECIES, CUT AND STAIN COLOR TO MATCH ACT 2