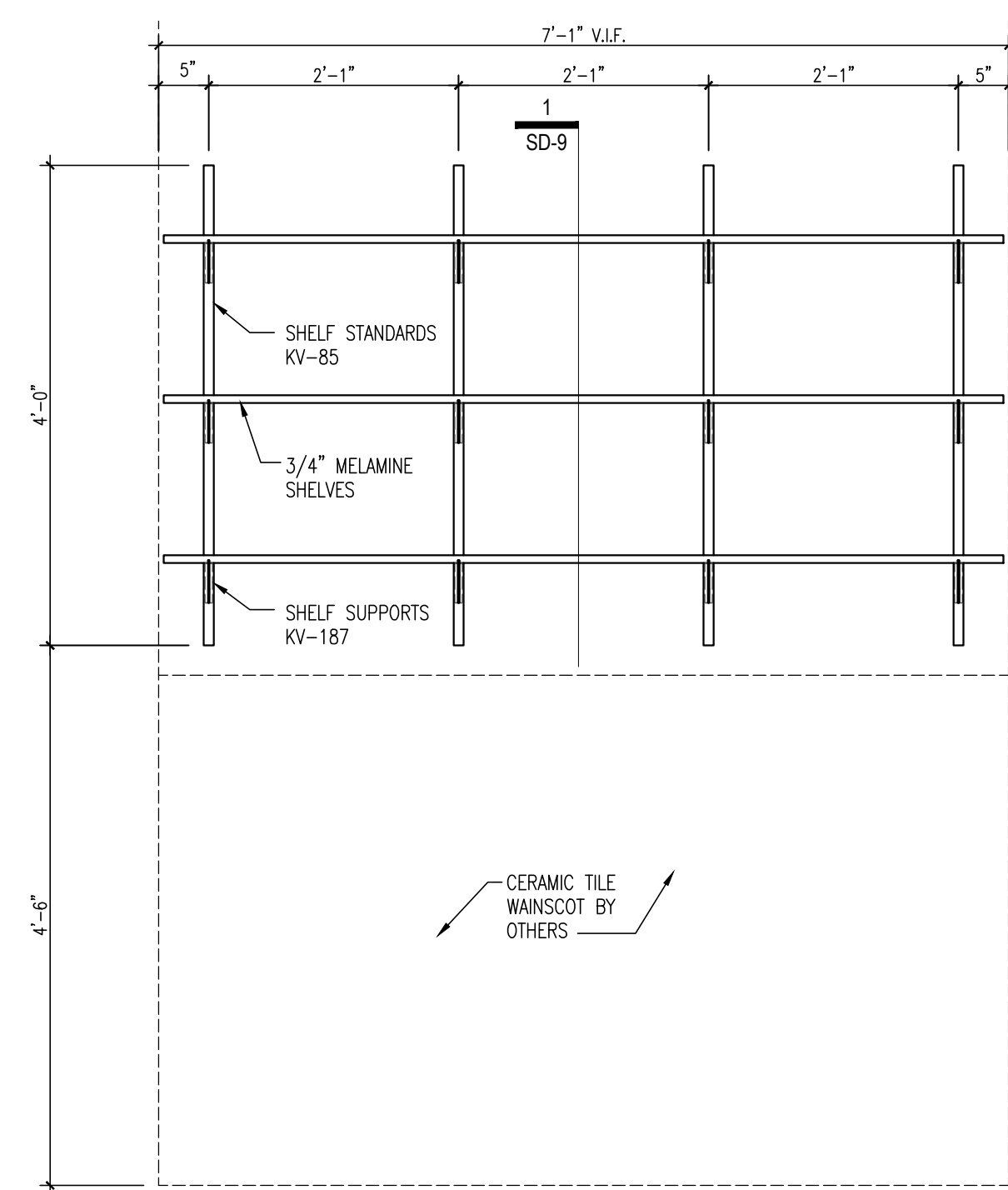
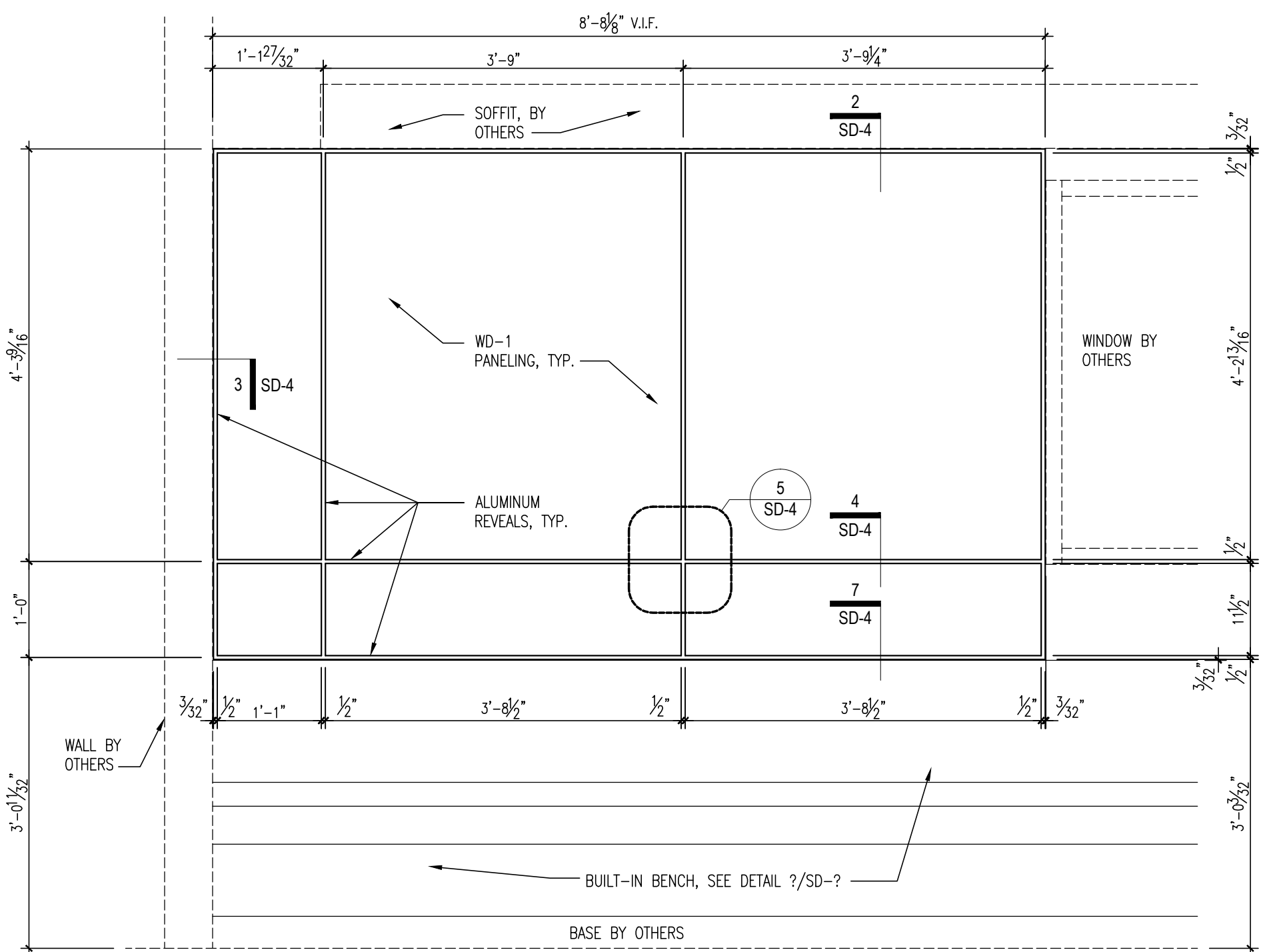


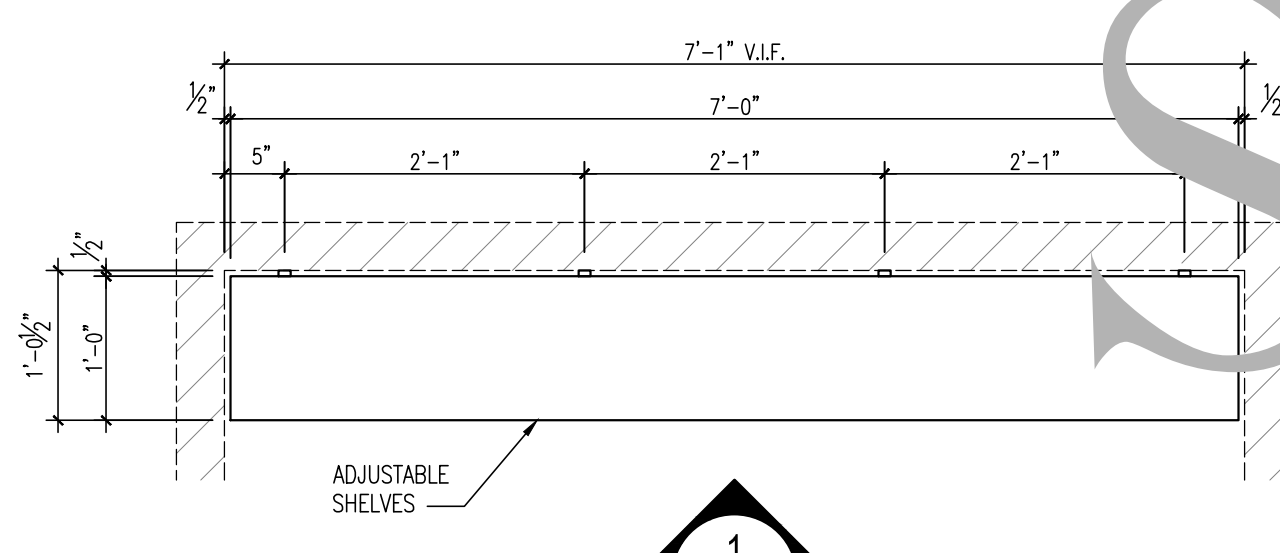
NOT FOR CONSTRUCTION



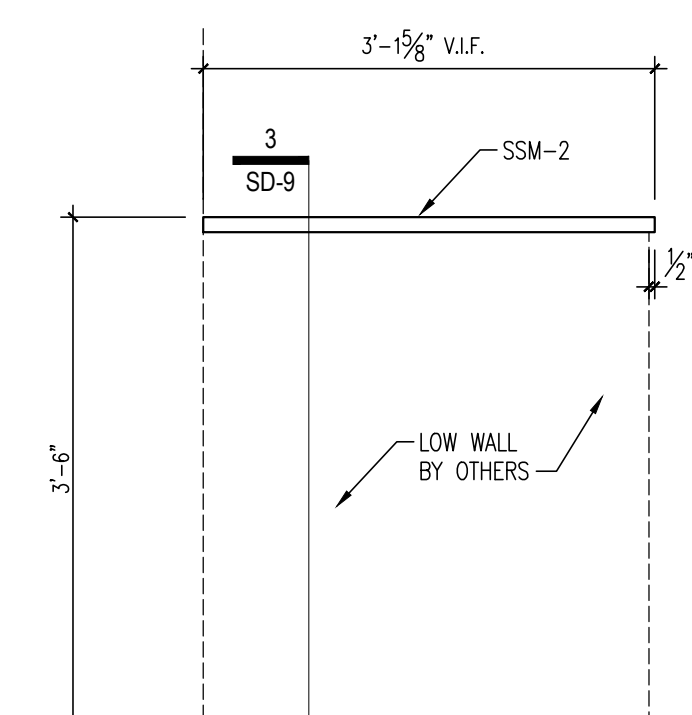
1 ELEVATION @ JANITOR - 225  
 SD-2 SCALE: 3/4" = 1'-0" ARCH REF. = 6/A602  
 1 THUS



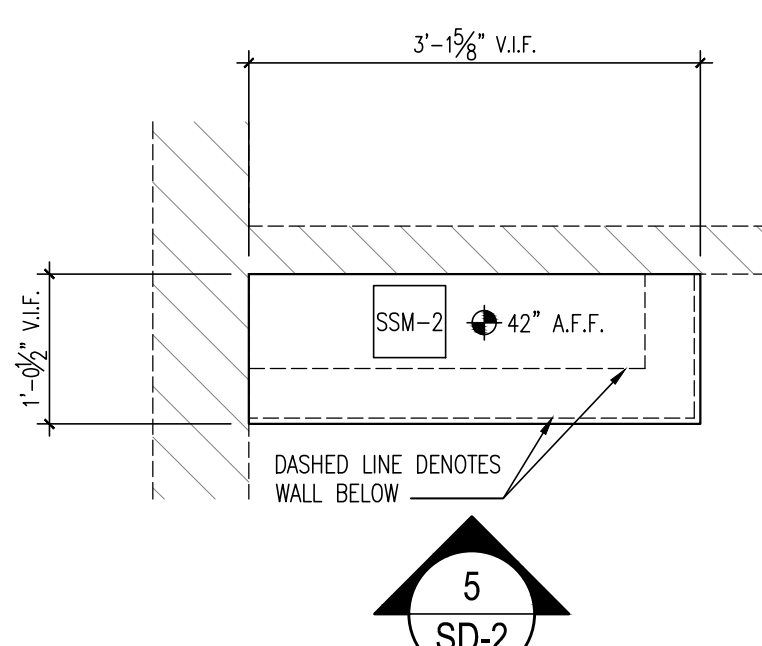
2 ELEVATION @ BREAKROOM - 161  
 SD-2 SCALE: 3/4" = 1'-0" ARCH REF. = 13/A601  
 1 THUS



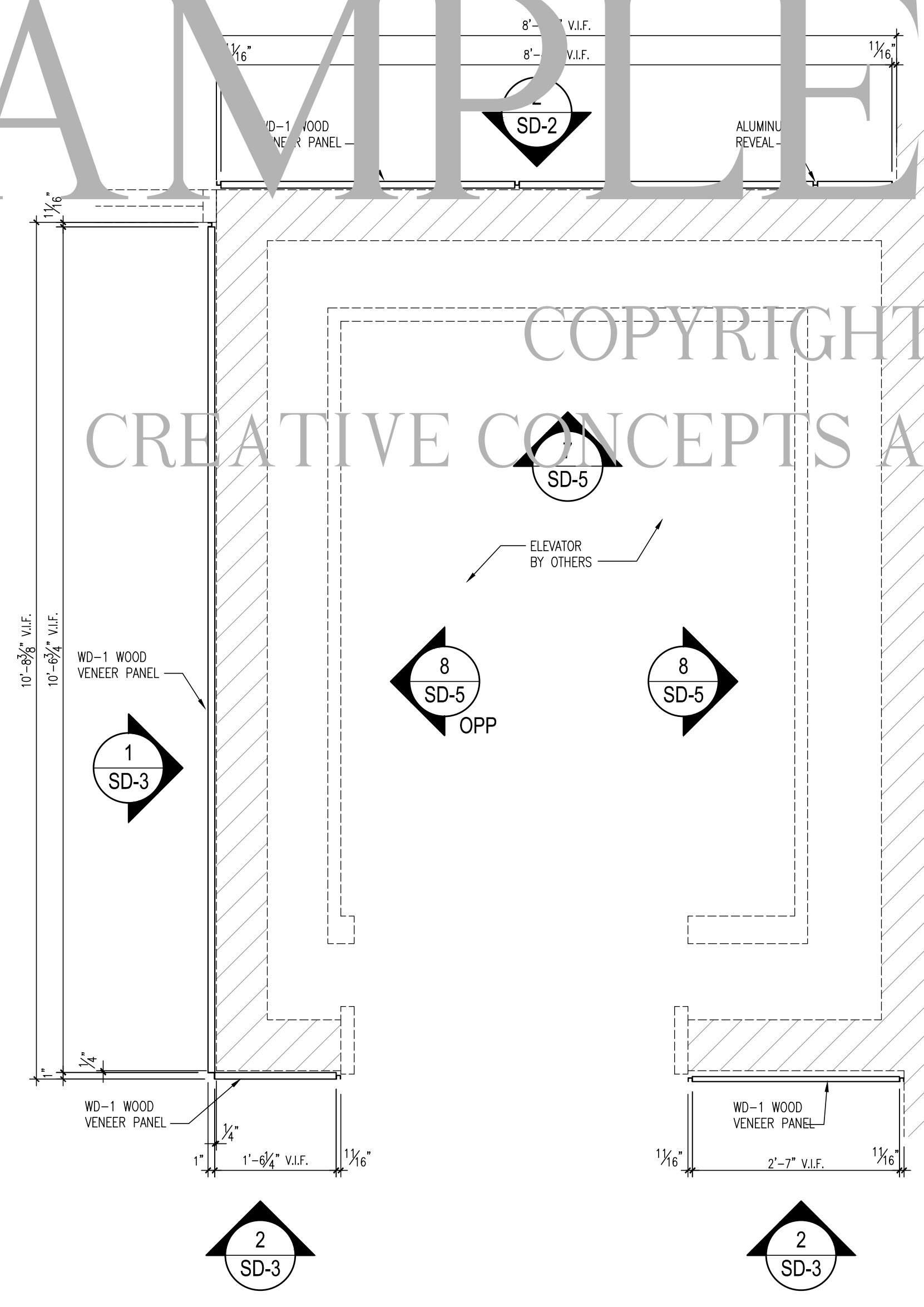
4 PLAN @ JANITOR - 225  
 SD-2 SCALE: 3/4" = 1'-0" ARCH REF. = 1/A110  
 1 THUS



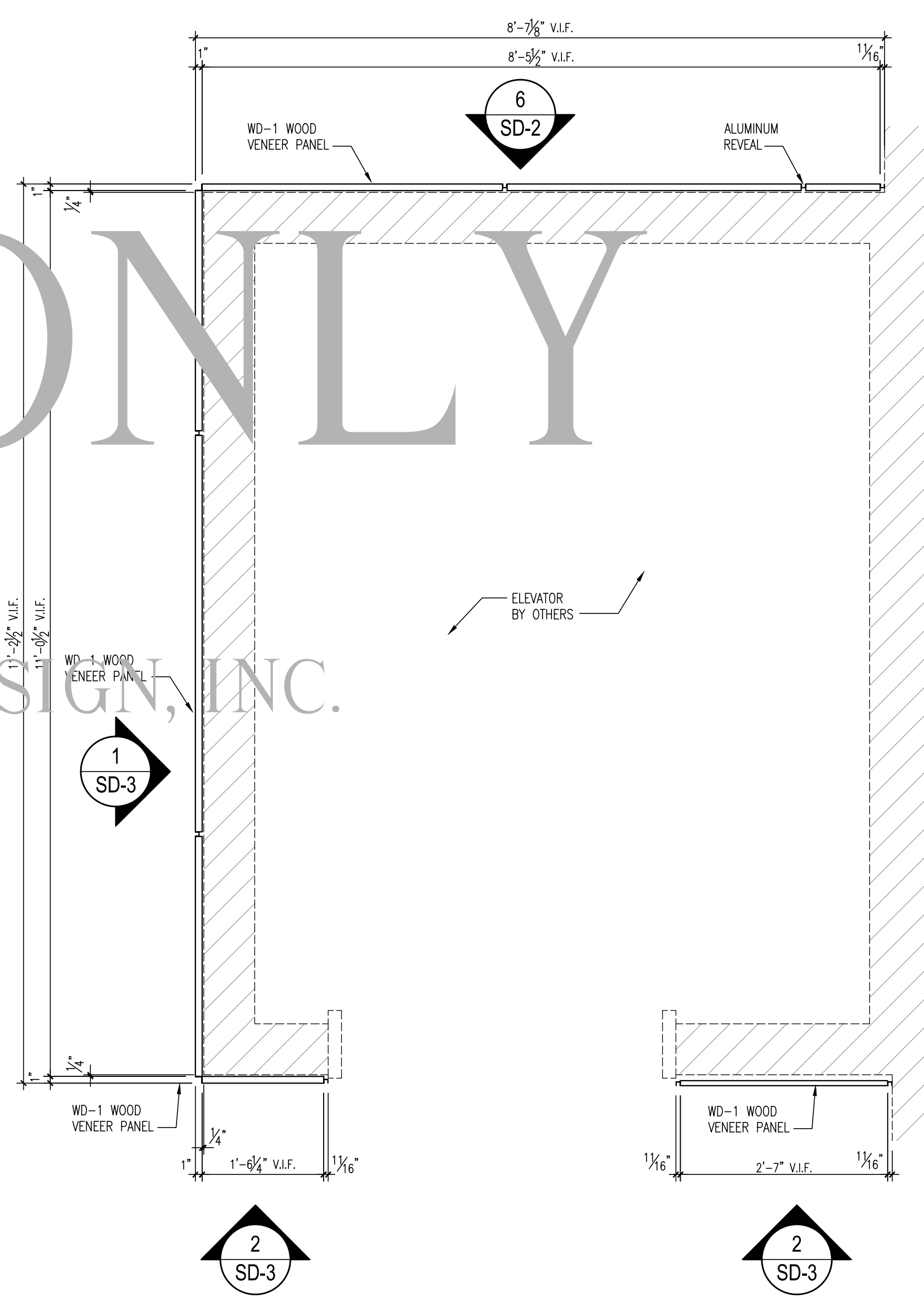
5 ELEVATION @ SHOWER - 185  
 SD-2 SCALE: 3/4" = 1'-0" ARCH REF. = 8/A601  
 1 THUS



6 PLAN @ SHOWER - 185  
 SD-2 SCALE: 3/4" = 1'-0" ARCH REF. = 3/A211  
 1 THUS



7 PLAN @ LEVEL 1 ELEVATOR - 193  
 SD-2 SCALE: 3/4" = 1'-0" ARCH REF. = 1/A508  
 1 THUS



8 PLAN @ LEVEL 2 ELEVATOR - 193  
 SD-2 SCALE: 3/4" = 1'-0" ARCH REF. = 1/A508  
 1 THUS

FINISH SCHEDULE

- PLASTIC LAMINATE (PL-1): WILSONART - 4879-38 STEEL MESH WITH MATCHING 3MM PVC EDGING
- PLASTIC LAMINATE (PL-2): NEVAMAR - FOUNDRY TEXTURED S 2084T, WITH MATCHING 3MM PVC EDGING
- PLASTIC LAMINATE (PL-3): NEVAMAR - VU5001 T MALLEABLE MUSE
- PLASTIC LAMINATE (PL-4): WILSONART - 4886-38 PEARL SOAPSTONE
- PLASTIC LAMINATE (PL-5): FORMICA - 5883-58 PECAN WOODLINE, MATTE FINISH
- SOLID SURFACE (SSM-1): LG HI-MACS - GALAXY VENUS T001, MATTE FINISH
- SYNTHETIC STONE (SSM-2): CAMBRIA - DARLINGTON QUARTZ, POLISHED
- STAINLESS STEEL (SS-3): #4 BRUSHED STAINLESS STEEL
- UPHOLSTERY (FB-1): VINYL/ CATALYST 3352-801, COLOR: RIVER STONE, 54" WIDE, REPEAT: V-18.75" x H-18"
- WALL PANEL (WD-1): SPECIES, CUT AND STAIN COLOR TO MATCH ACT 2

SAMPLE ONLY

COPYRIGHT BY CREATIVE CONCEPTS AND DESIGN, INC.

CONTRACTOR:

FOR REVIEW ONLY

SUBJECT: SHOP DRAWINGS  
 REVISIONS:  
 JOB NO: 3083  
 DATE: 9-29-15  
 DRAWN BY: CGO  
 SHEET NO:  
**SD-2**  
 3 OF 10