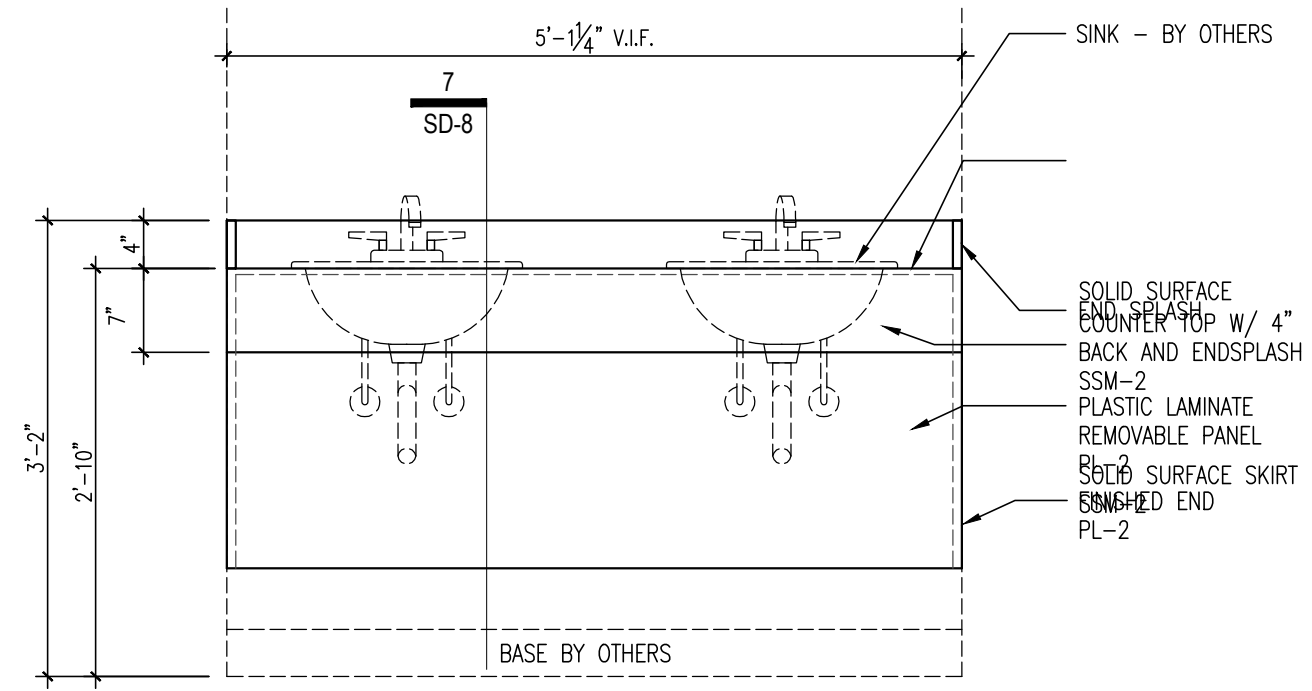


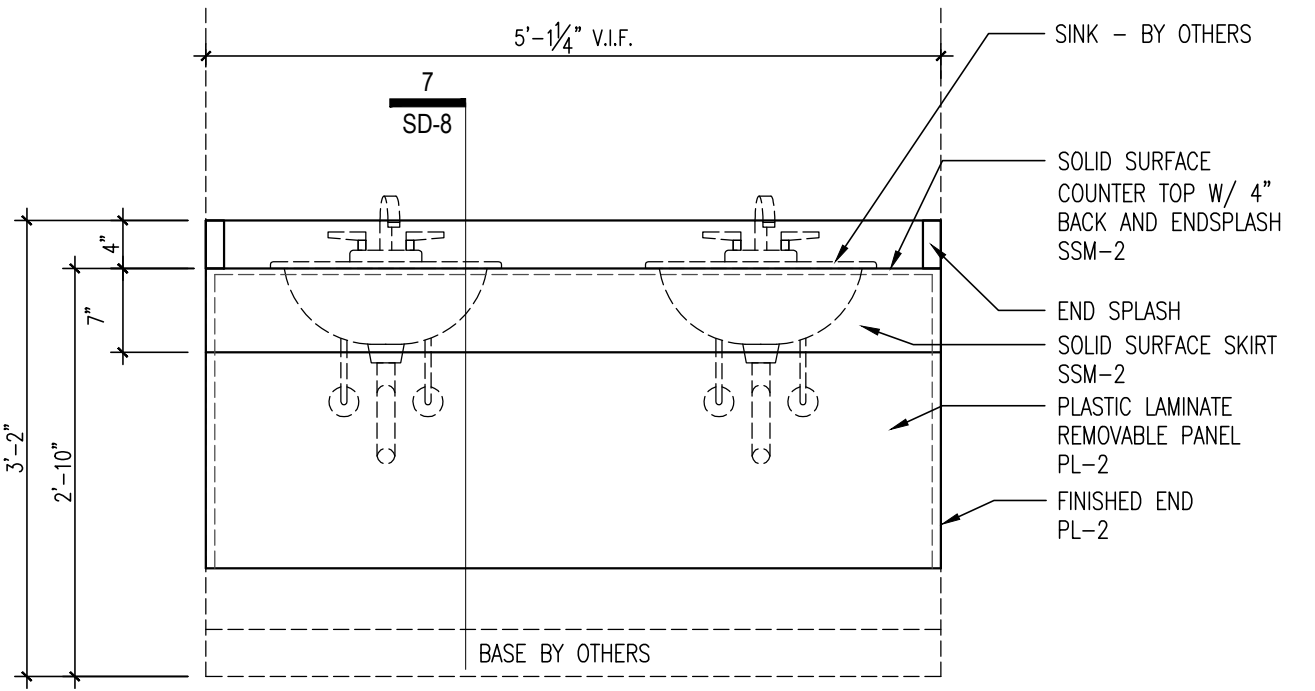
NOT FOR CONSTRUCTION

CONTRACTOR:

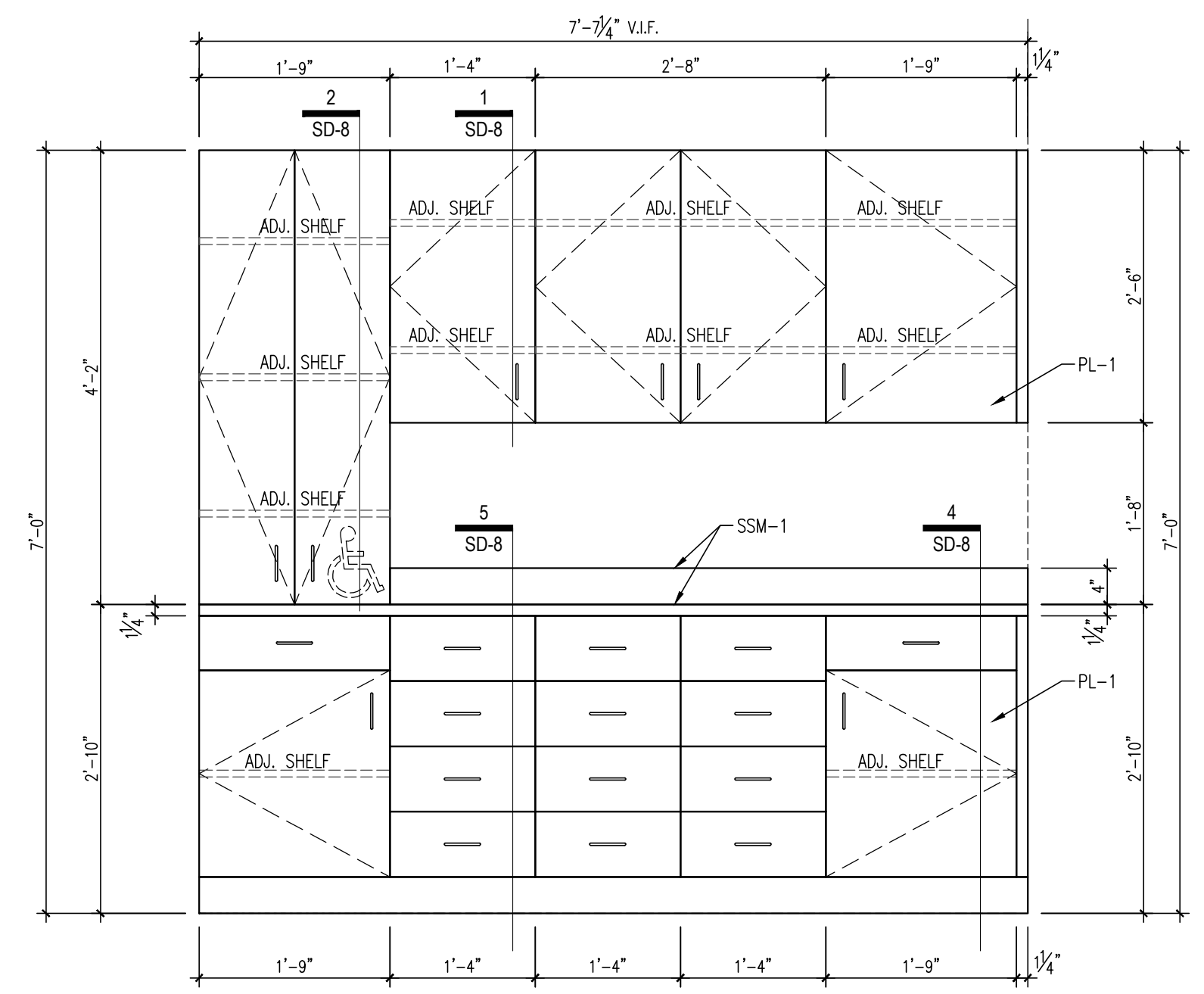
ARCHITECT:



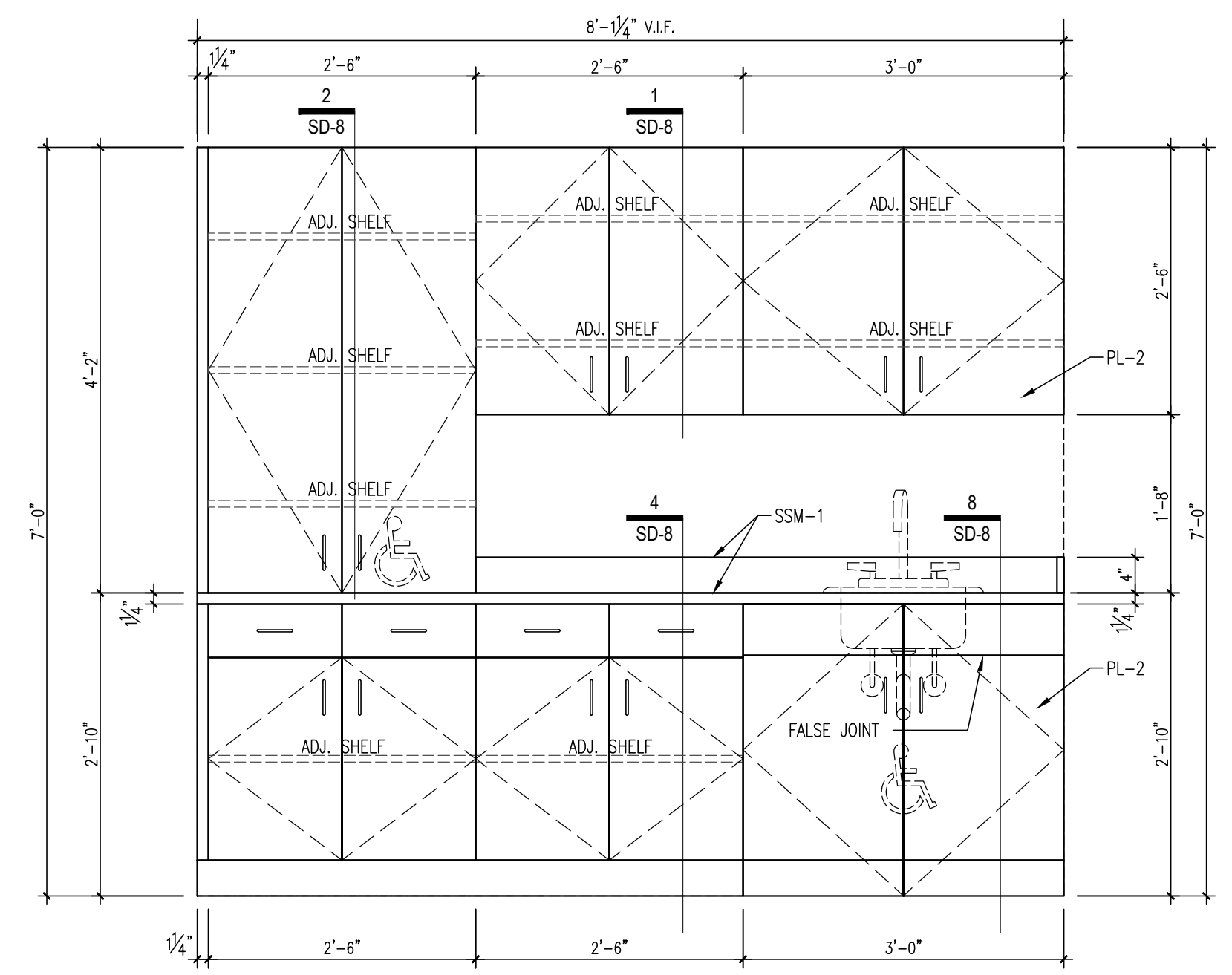
1 ELEVATION @ MEN - 146 & 234
SD-1 SCALE: 3/4\"/>



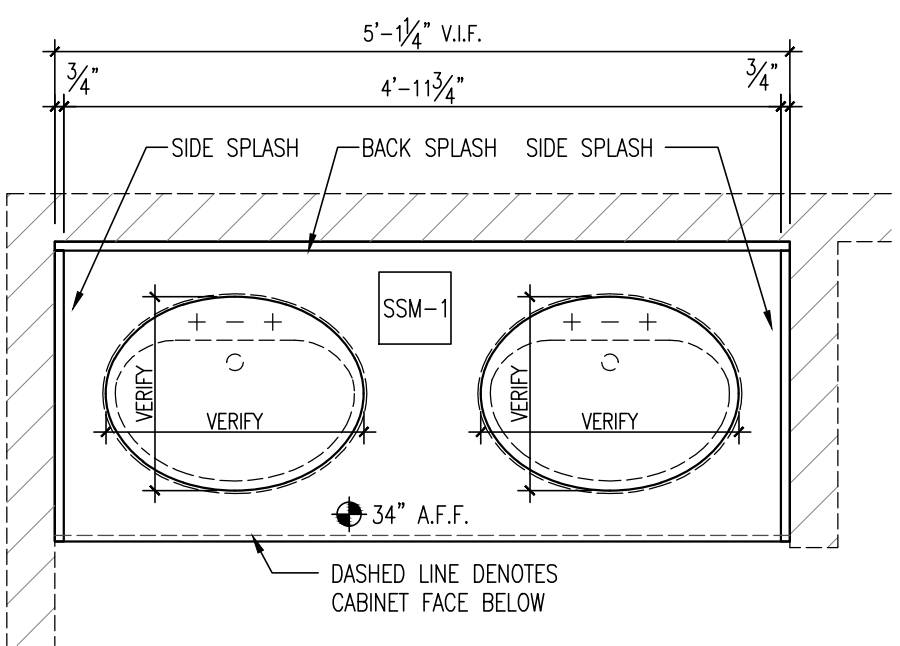
2 ELEVATION @ WOMEN - 147 & 235
SD-1 SCALE: 3/4\"/>



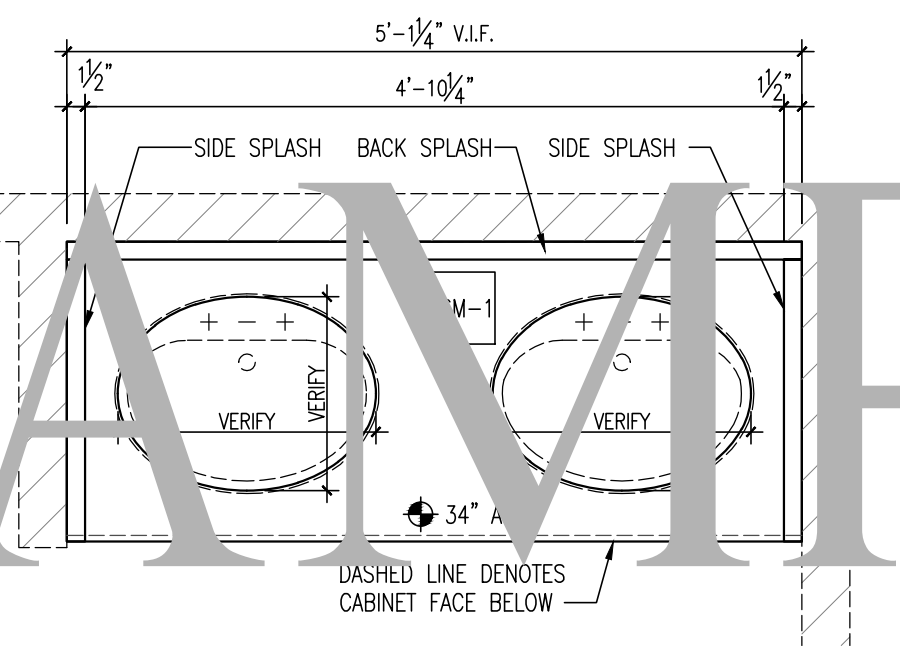
3 ELEVATION @ WORK ROOM - 118
SD-1 SCALE: 3/4\"/>



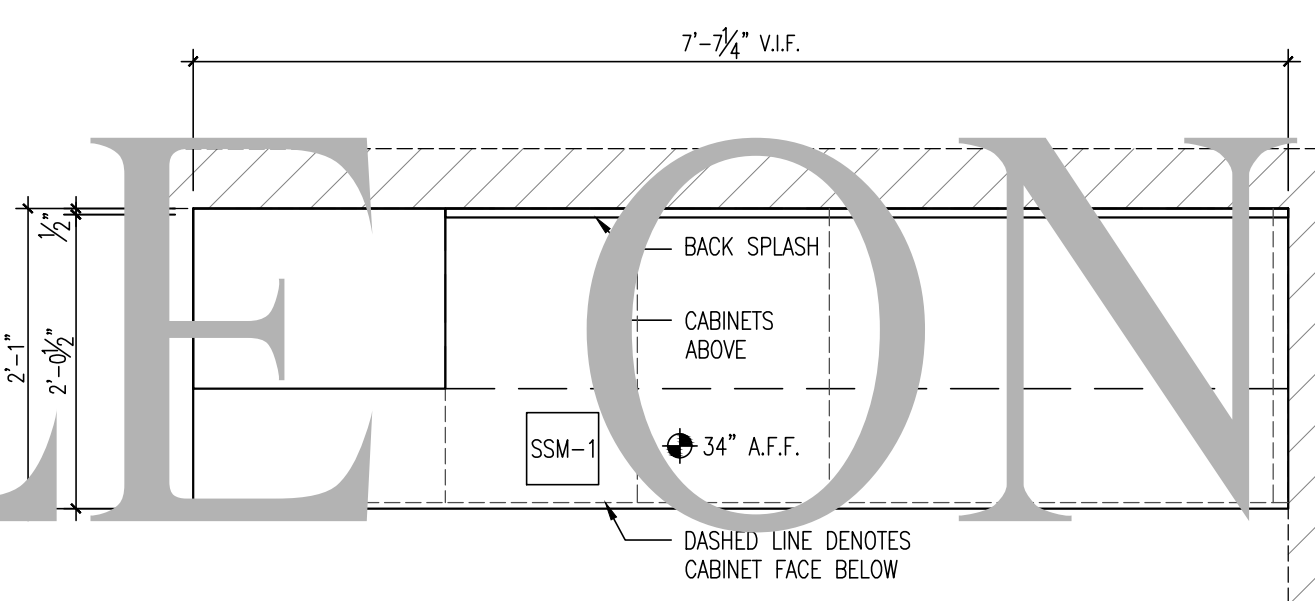
4 ELEVATION @ WELLNESS - 164
SD-1 SCALE: 3/4\"/>



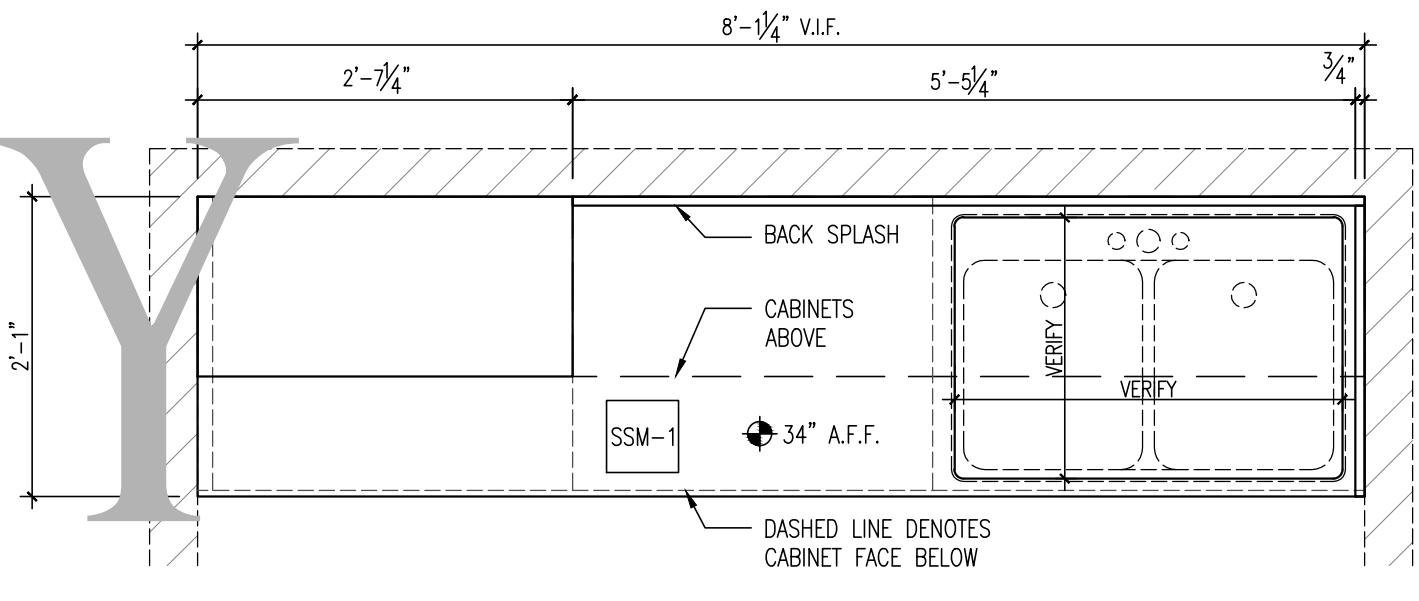
1 SD-1



2 SD-1



3 SD-1



4 SD-1

5 PLAN @ MEN - 146 & 234
SD-1 SCALE: 3/4\"/>

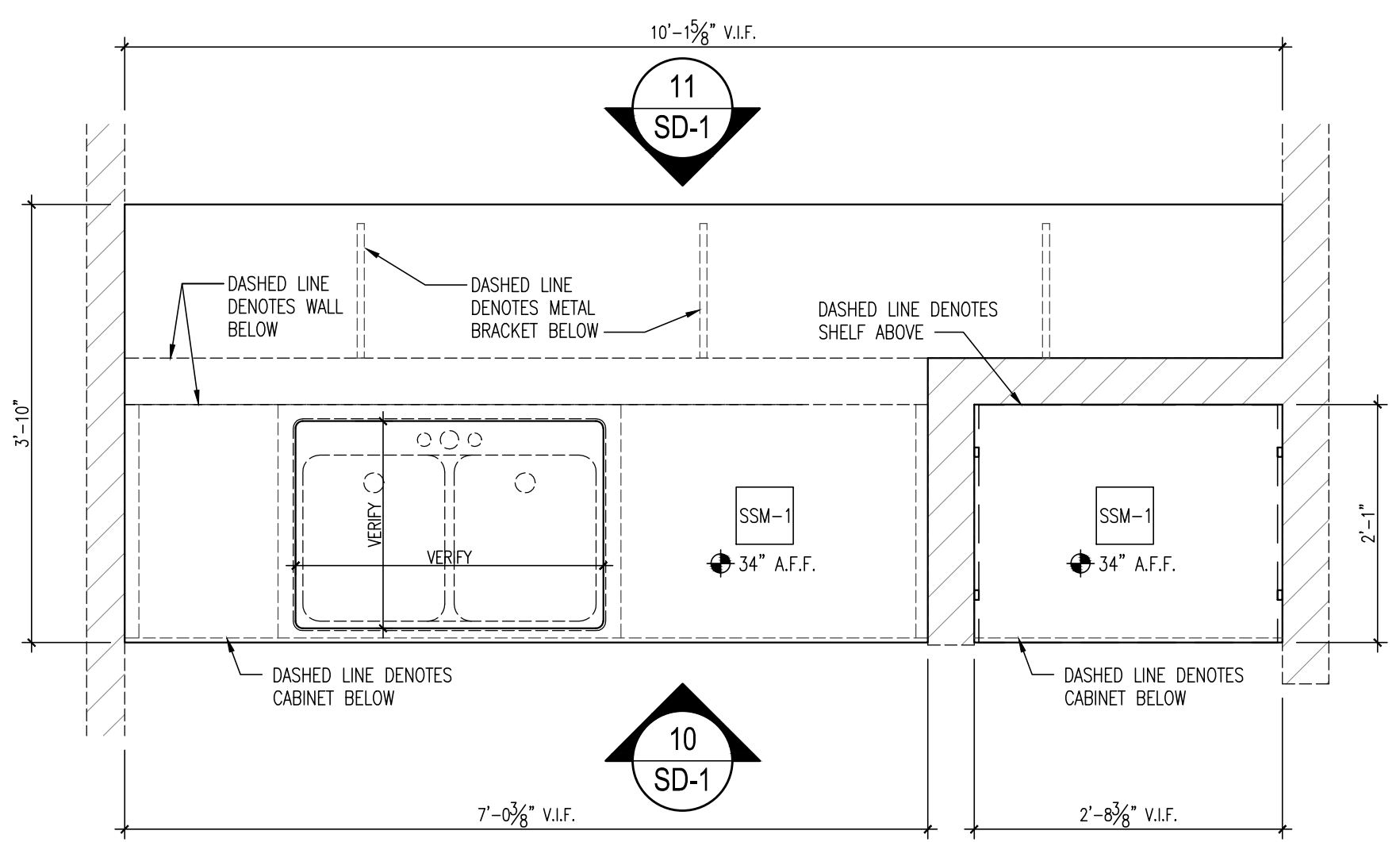
6 PLAN @ WOMEN - 147 & 235
SD-1 SCALE: 3/4\"/>

7 PLAN @ WORK ROOM - 118
SD-1 SCALE: 3/4\"/>

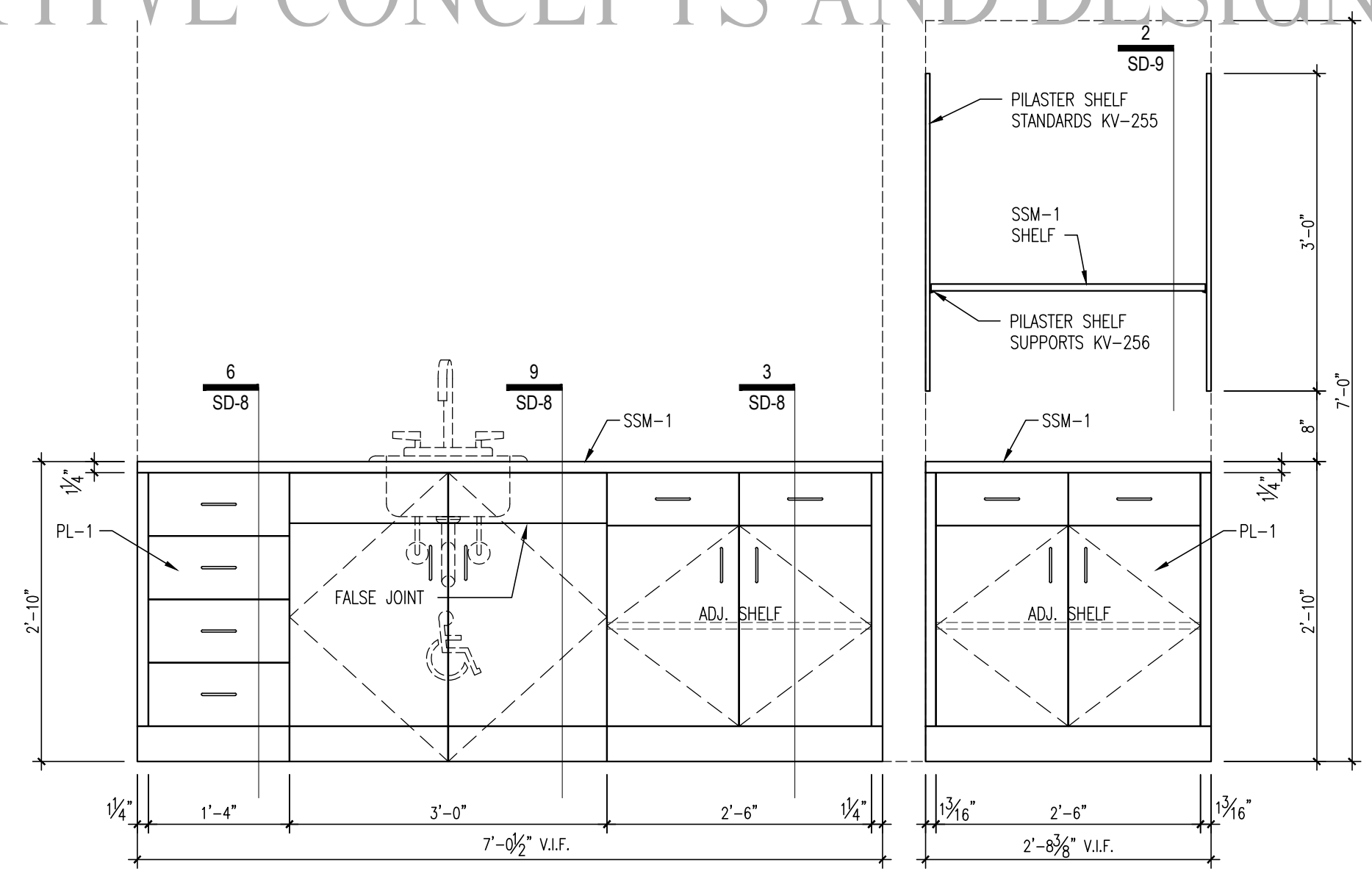
8 PLAN @ WELLNESS - 164
SD-1 SCALE: 3/4\"/>

SAMPLE ONLY

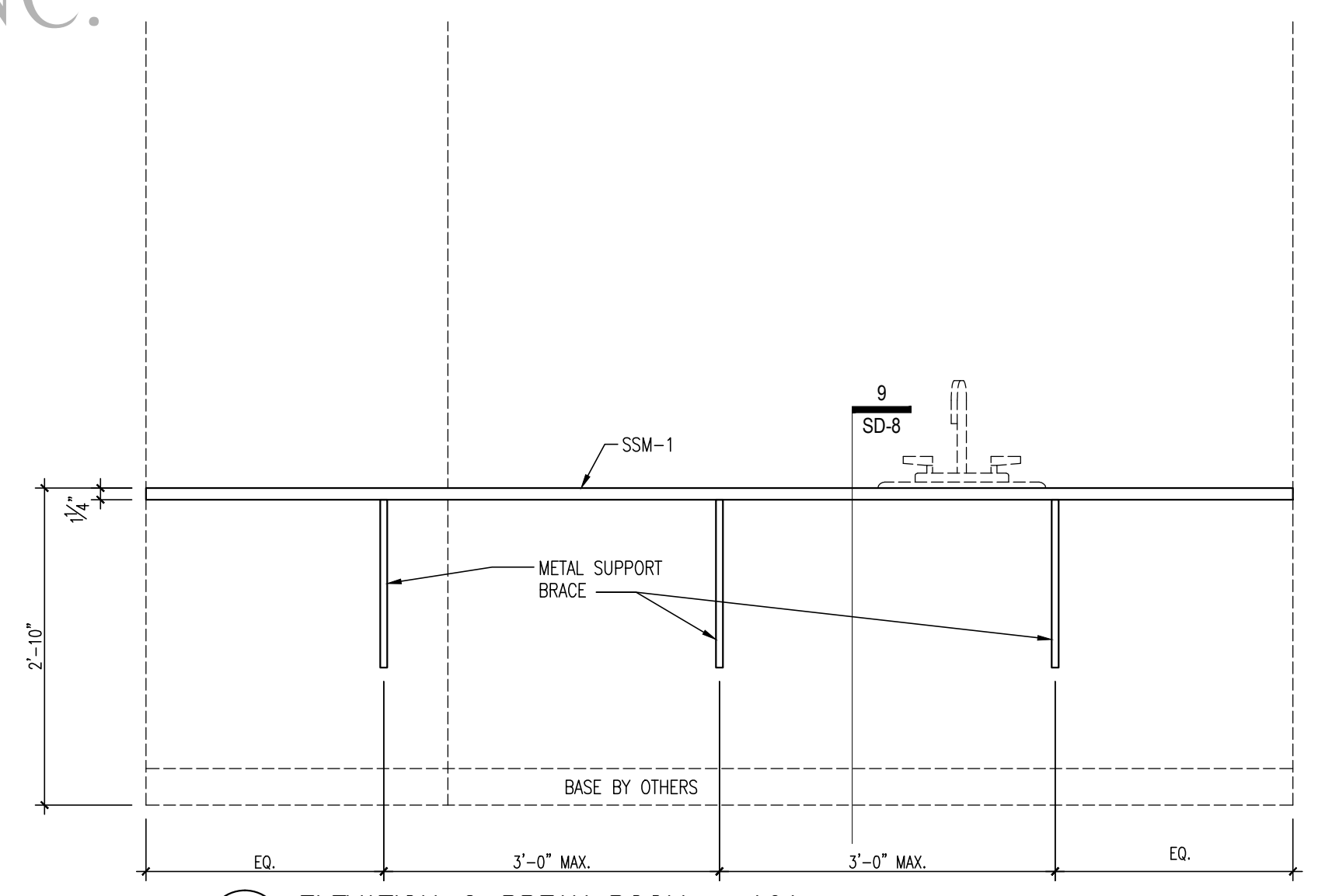
COPYRIGHT BY
CREATIVE CONCEPTS AND DESIGN, INC.



10 SD-1



10 ELEVATION @ BREAK ROOM - 161
SD-1 SCALE: 3/4\"/>



11 ELEVATION @ BREAK ROOM - 161
SD-1 SCALE: 3/4\"/>

9 PLAN @ BREAK ROOM - 161
SD-1 SCALE: 3/4\"/>

FINISH SCHEDULE

PLASTIC LAMINATE (PL-1):	WILSONART - 4879-38 STEEL MESH WITH MATCHING 3MM PVC EDGING
PLASTIC LAMINATE (PL-2):	NEVAMAR - FOUNDRY TEXTURED S 2084T, WITH MATCHING 3MM PVC EDGING
PLASTIC LAMINATE (PL-3):	NEVAMAR - VU5001 T MALLEABLE MUSE
PLASTIC LAMINATE (PL-4):	WILSONART - 4886-38 PEARL SOAPSTONE
PLASTIC LAMINATE (PL-5):	FORMICA - 5883-58 PECAN WOODLINE, MATTE FINISH
SOLID SURFACE (SSM-1):	LG HI-MACS - GALAXY VENUS T001, MATTE FINISH
SYNTHETIC STONE (SSM-2):	CAMBRIA - DARLINGTON QUARTZ, POLISHED
STAINLESS STEEL (SS-3):	#4 BRUSHED STAINLESS STEEL
UPHOLSTERY (FB-1):	VINYL/ CATALYST 3352-801, COLOR: RIVER STONE, 54\"/>
WALL PANEL (WD-1):	SPECIES, CUT AND STAIN COLOR TO MATCH ACT 2

FOR REVIEW ONLY

SUBJECT: SHOP DRAWINGS
REVISIONS:
JOB NO: 3083
DATE: 9-29-15
SHEET NO: SD-1
2 OF 10