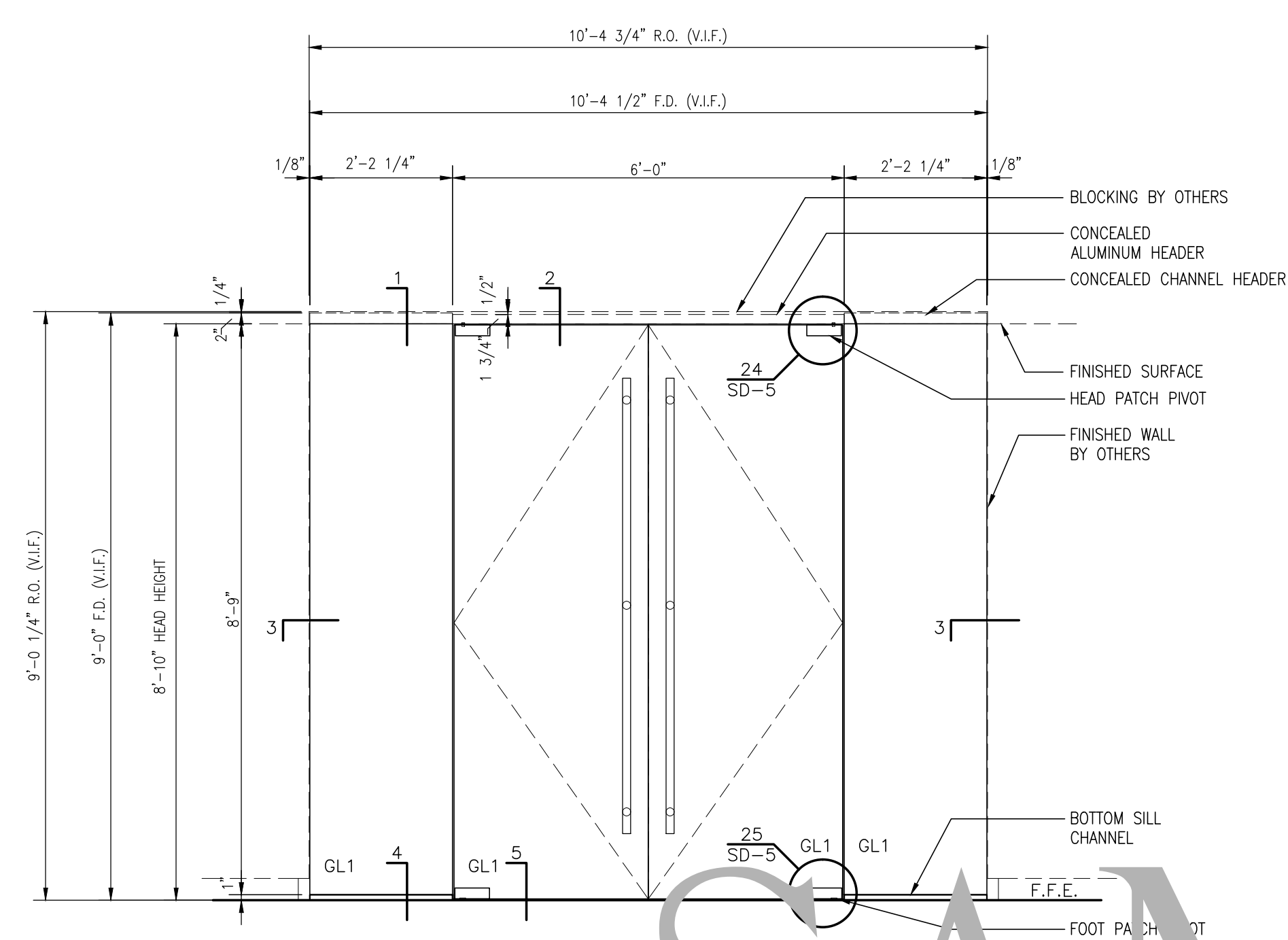
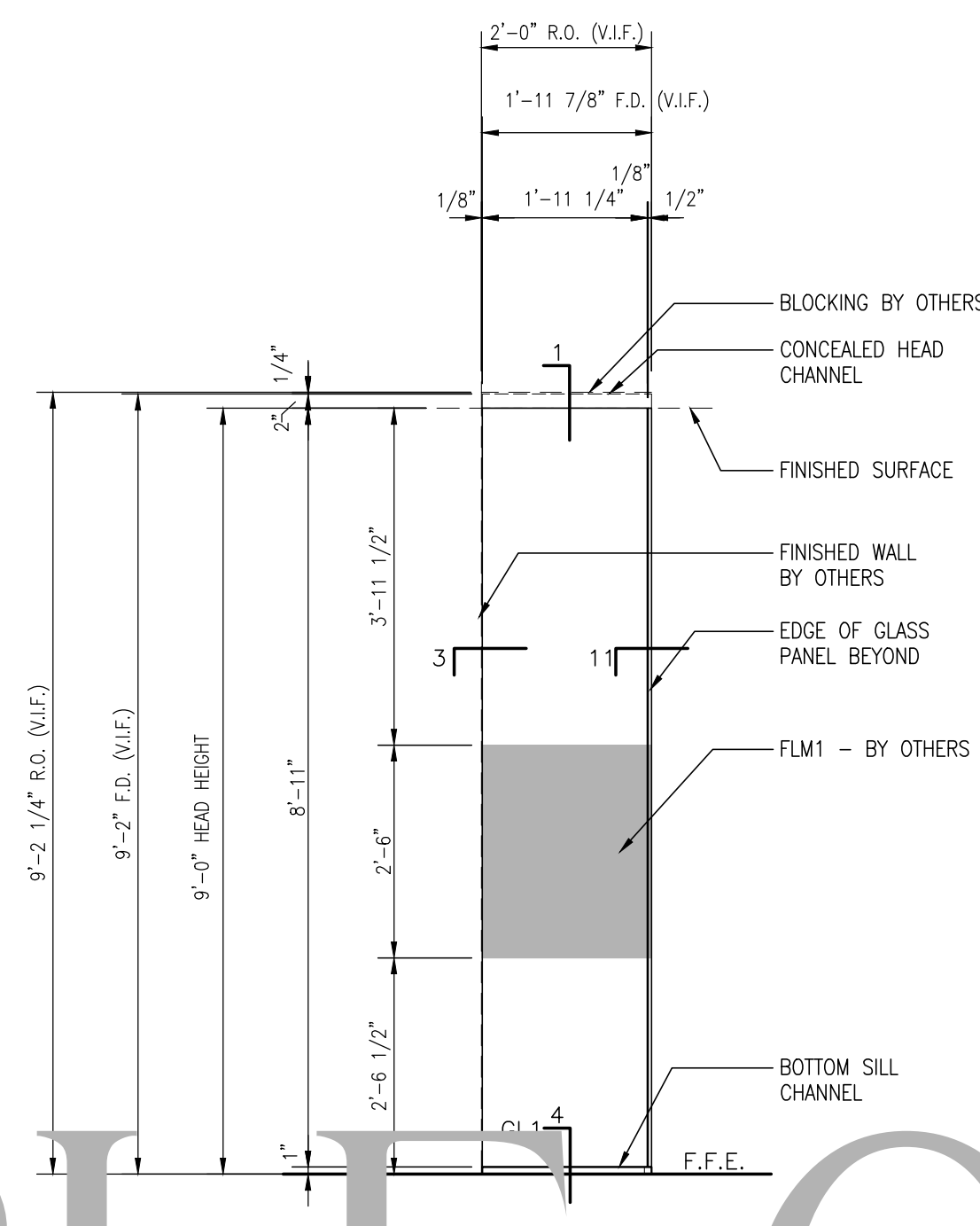


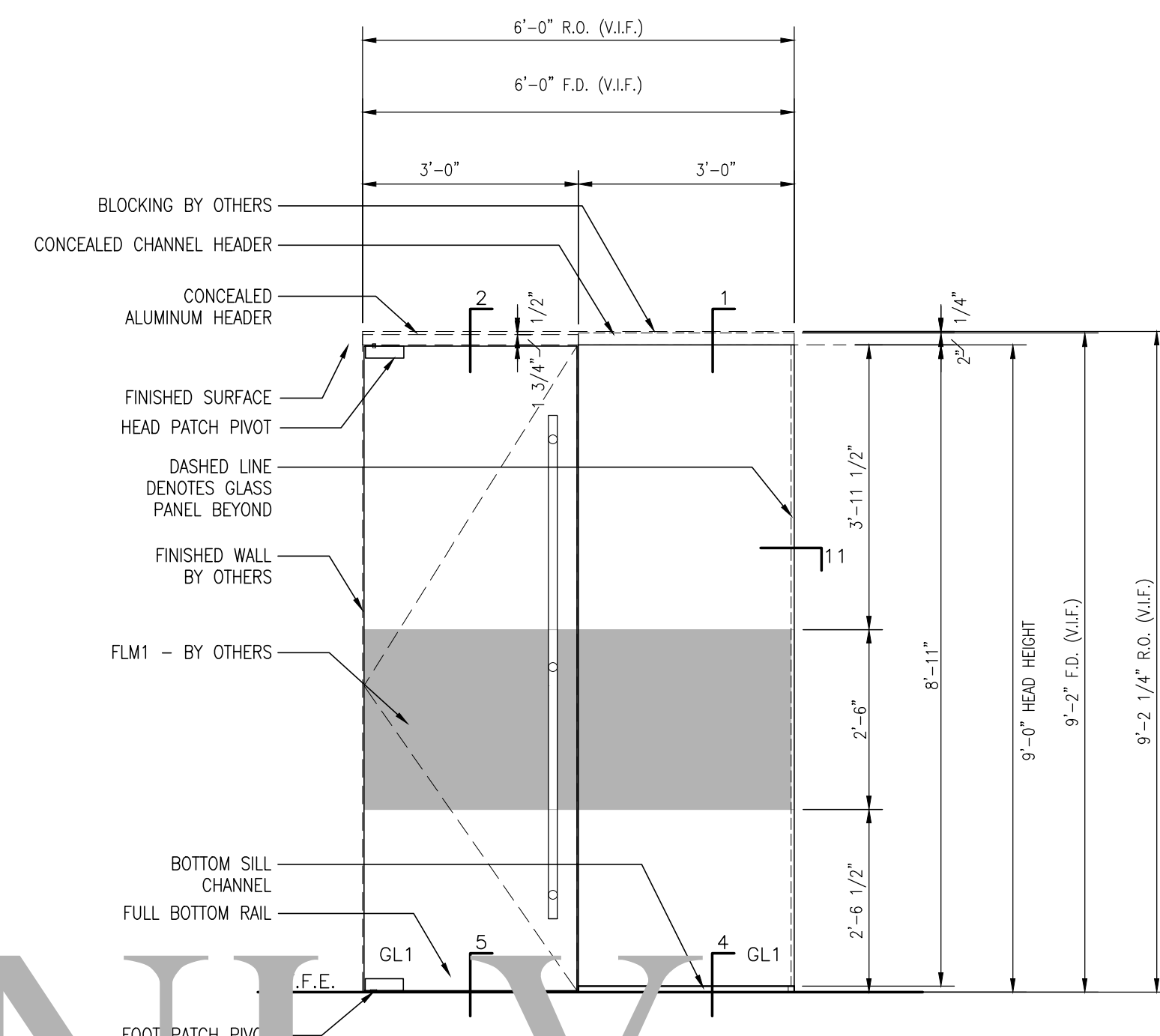
NOT FOR CONSTRUCTION



1 ELEVATOR LOBBY - 6000
SD-1 1 THUS
QTY. 2 TOTAL



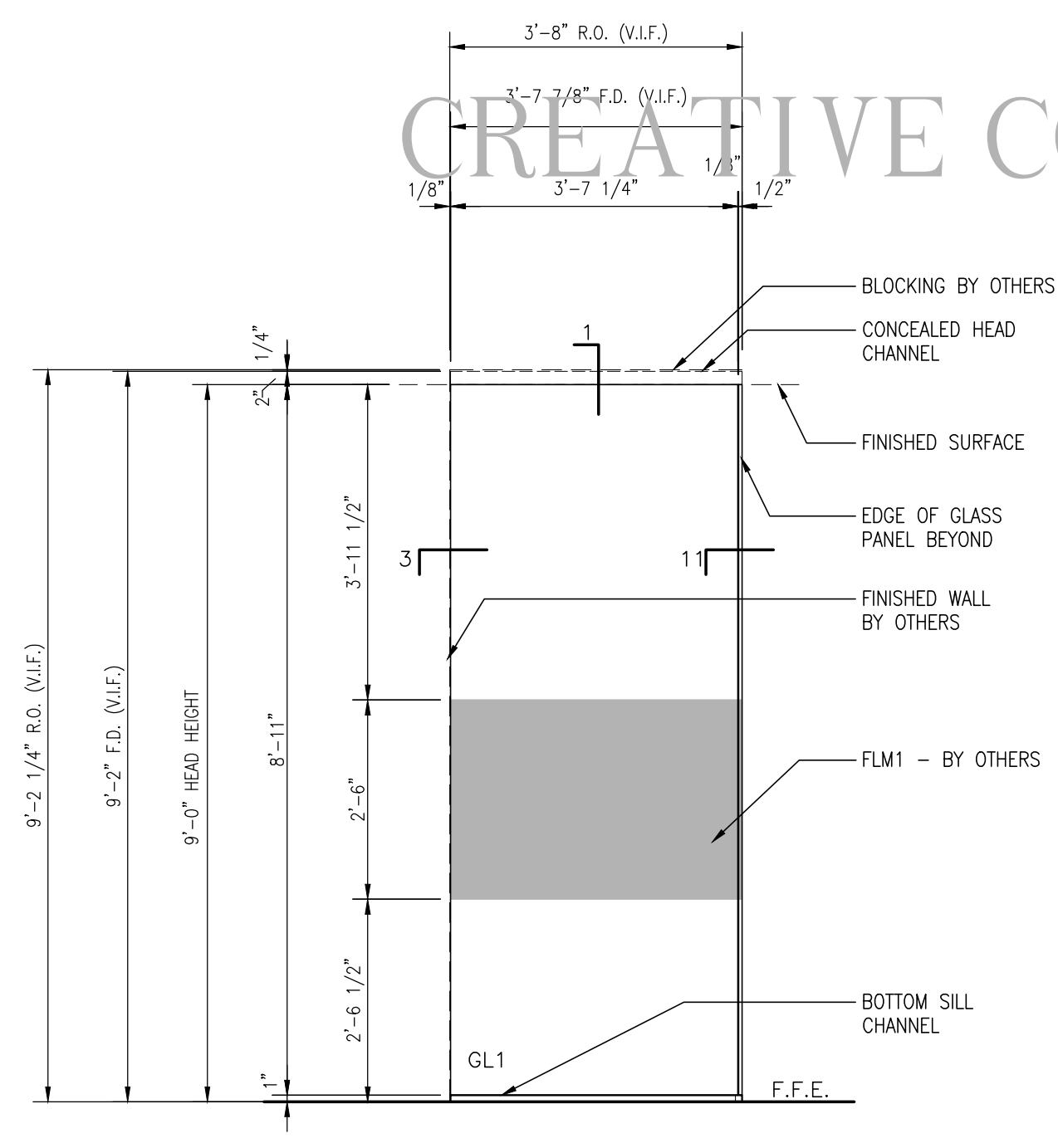
1 CORRIDOR - 6003A
SD-1 1 THUS
QTY. 1 TOTAL



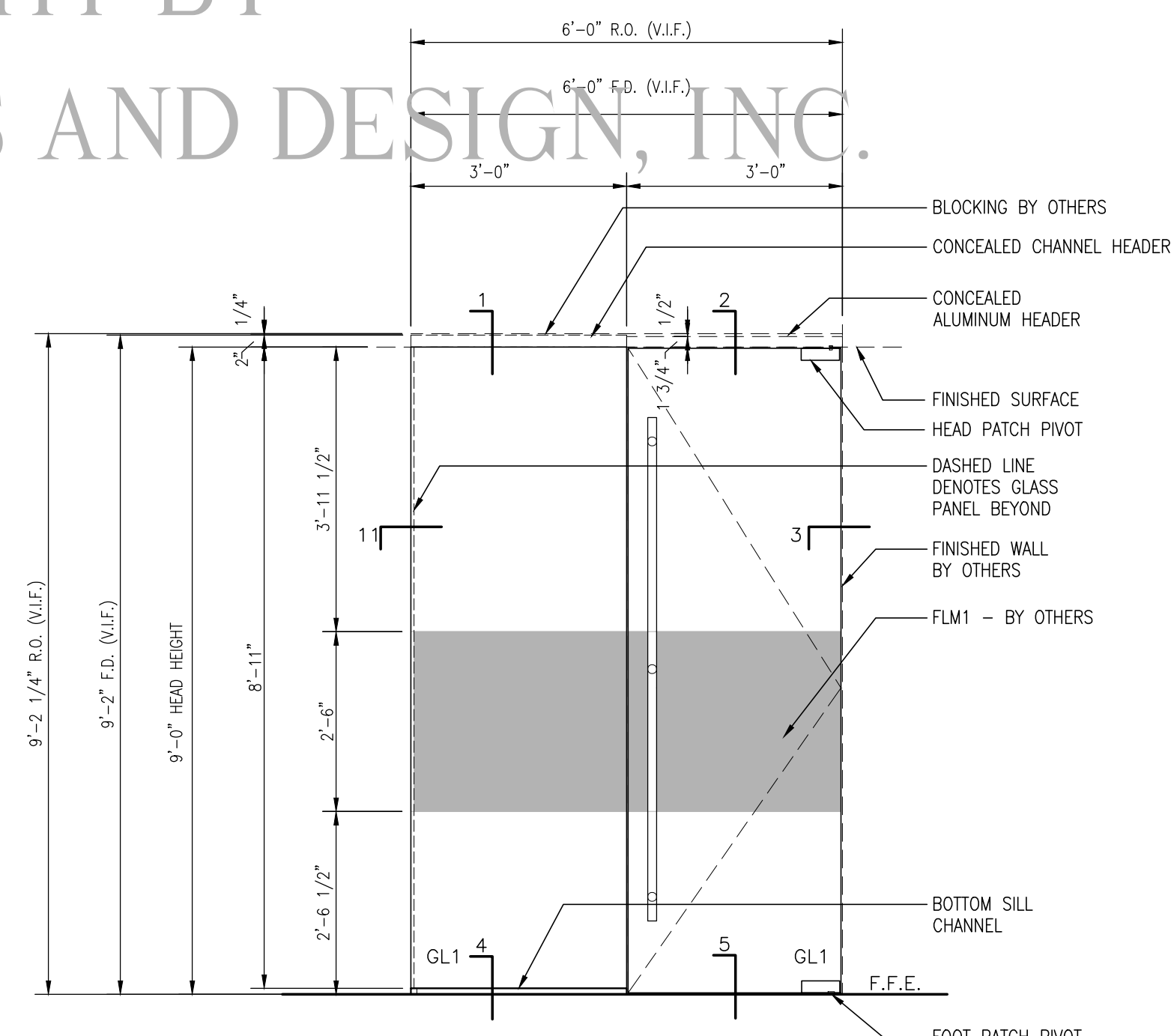
1 CORRIDOR 6003A
SD-1 1 THUS
QTY. 1 TOTAL

SAMPLE ONLY

COPYRIGHT BY CREATIVE CONCEPTS AND DESIGN, INC.



4 MEDIUM CONFERENCE - 6004A
SD-1 1 THUS
QTY. 1 TOTAL



5 MEDIUM CONFERENCE - 6004A
SD-1 1 THUS
QTY. 1 TOTAL

PROJECT
Project Name:
Location:
Project No.:
Manager:
ARCHITECT / CONTRACTOR
Architect:

Project No.:
Contractor:

Attention:
Sheet Title:
FRAME ELEVATIONS

Date Issued: 4.20.15
Revisions:
1.
2.
3.
Scale: 1/2" = 1'

Sheet No.:

GENERAL NOTE:
ALL DIMENSIONS TO BE VERIFIED IN THE FIELD (V.I.F.)

GLAZING LEGEND:
GL1 = 1/2" CLEAR TEMPERED
GL2 = 1/4" CLEAR TEMPERED
FLM1 = TRANSLUCENT FILM (BY OTHERS)

FOR REVIEW ONLY