

NOT FOR CONSTRUCTION

PROJECT

Project Name:

Location:

Project No.:

Manager:

ARCHITECT / CONTRACTOR

Architect:

Project No.:

Contractor:

Attention:

Sheet Title:
FG-2000
INTERIOR
FRAME
ELEVATIONS

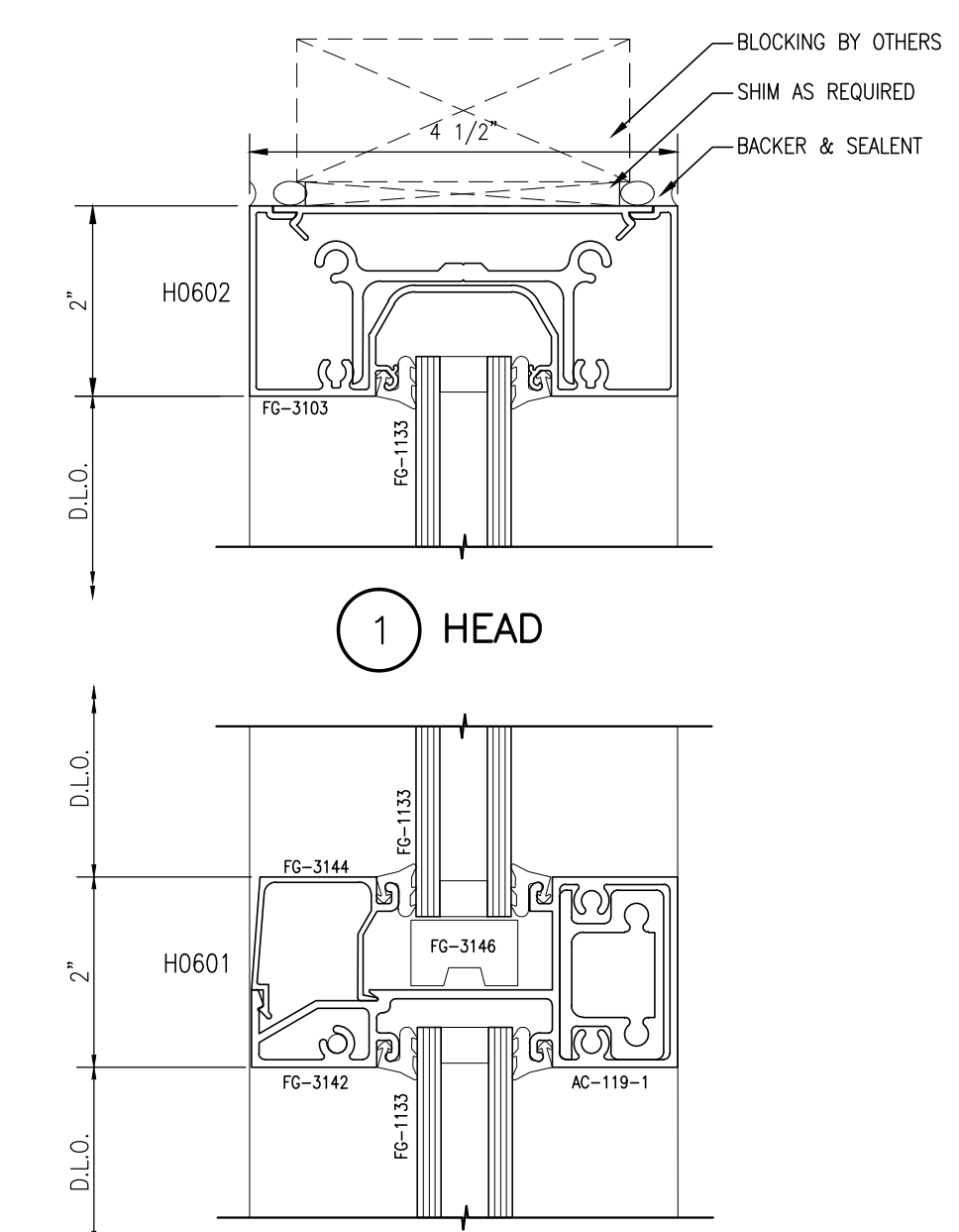
Date Issued: 6.27.14

Revisions:
1.
2.
3.

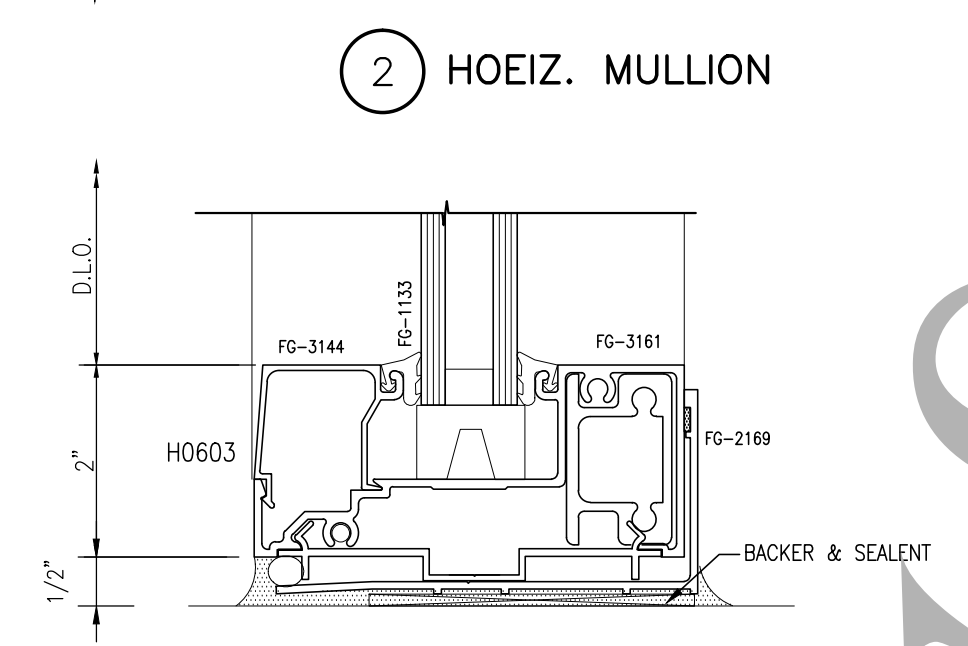
Scale: 6" = 1'-0"

Sheet No.:

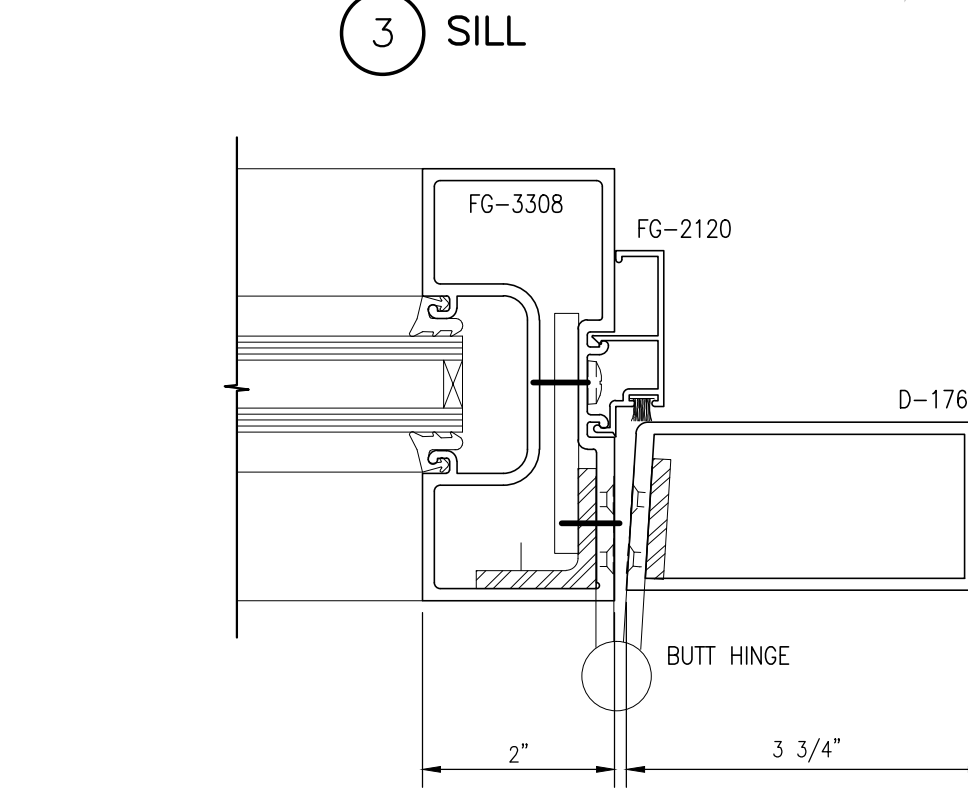
FOR REVIEW ONLY



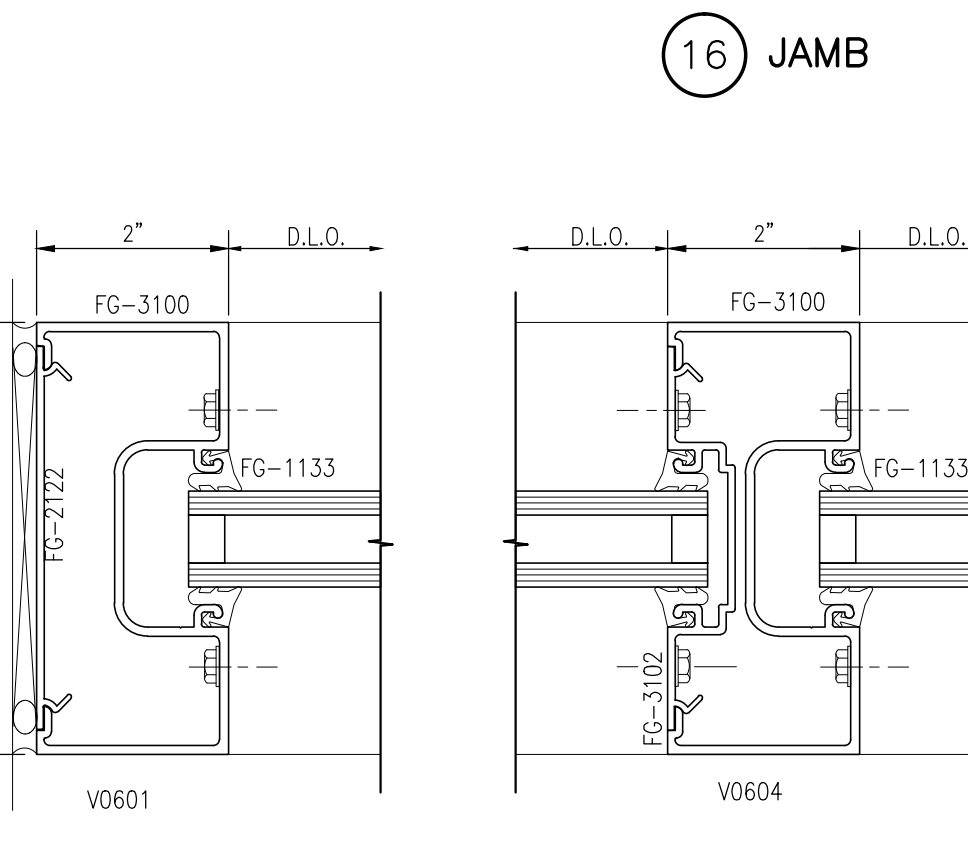
1 HEAD



2 HOEIZ. MULLION



3 SILL

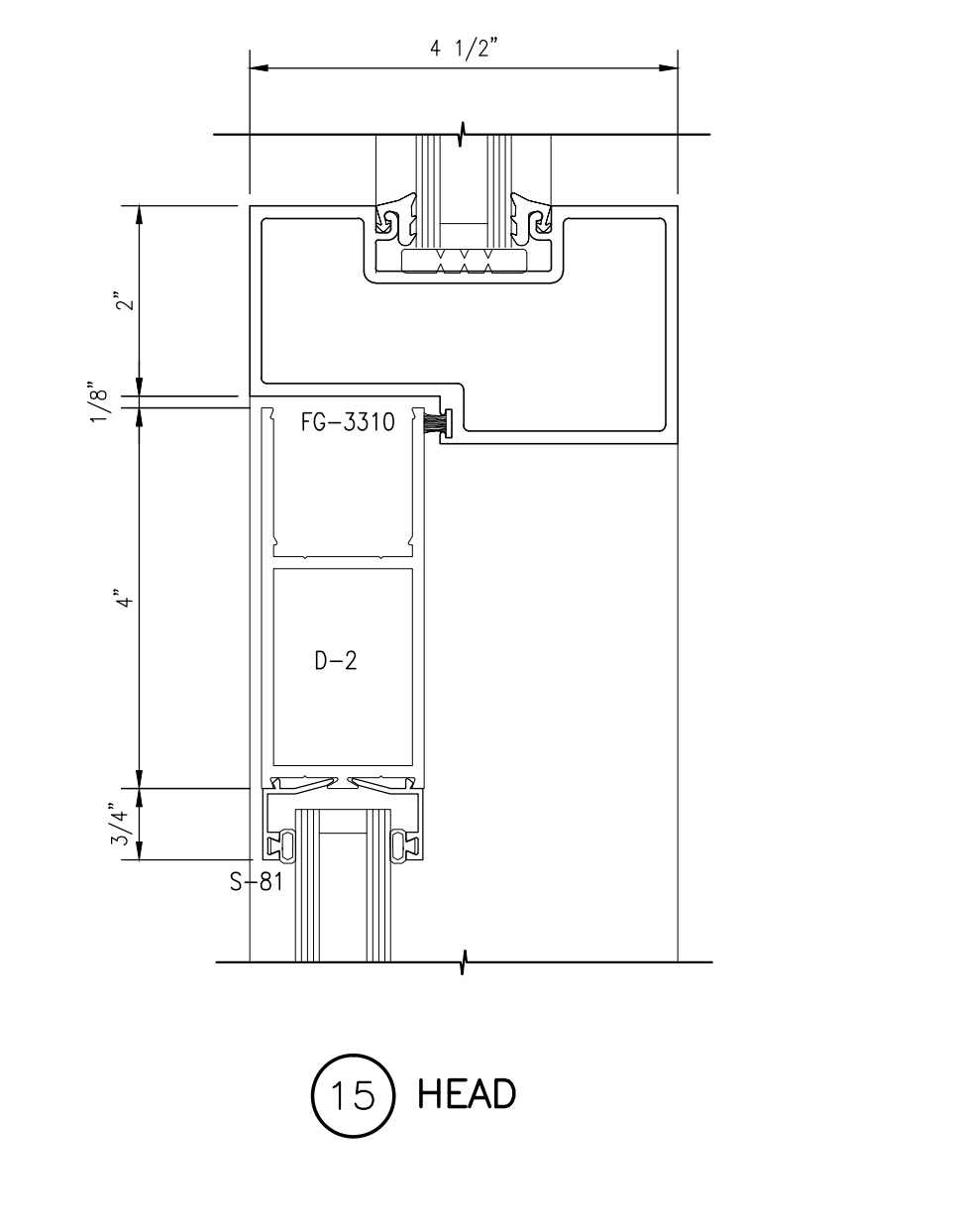


4 JAMB

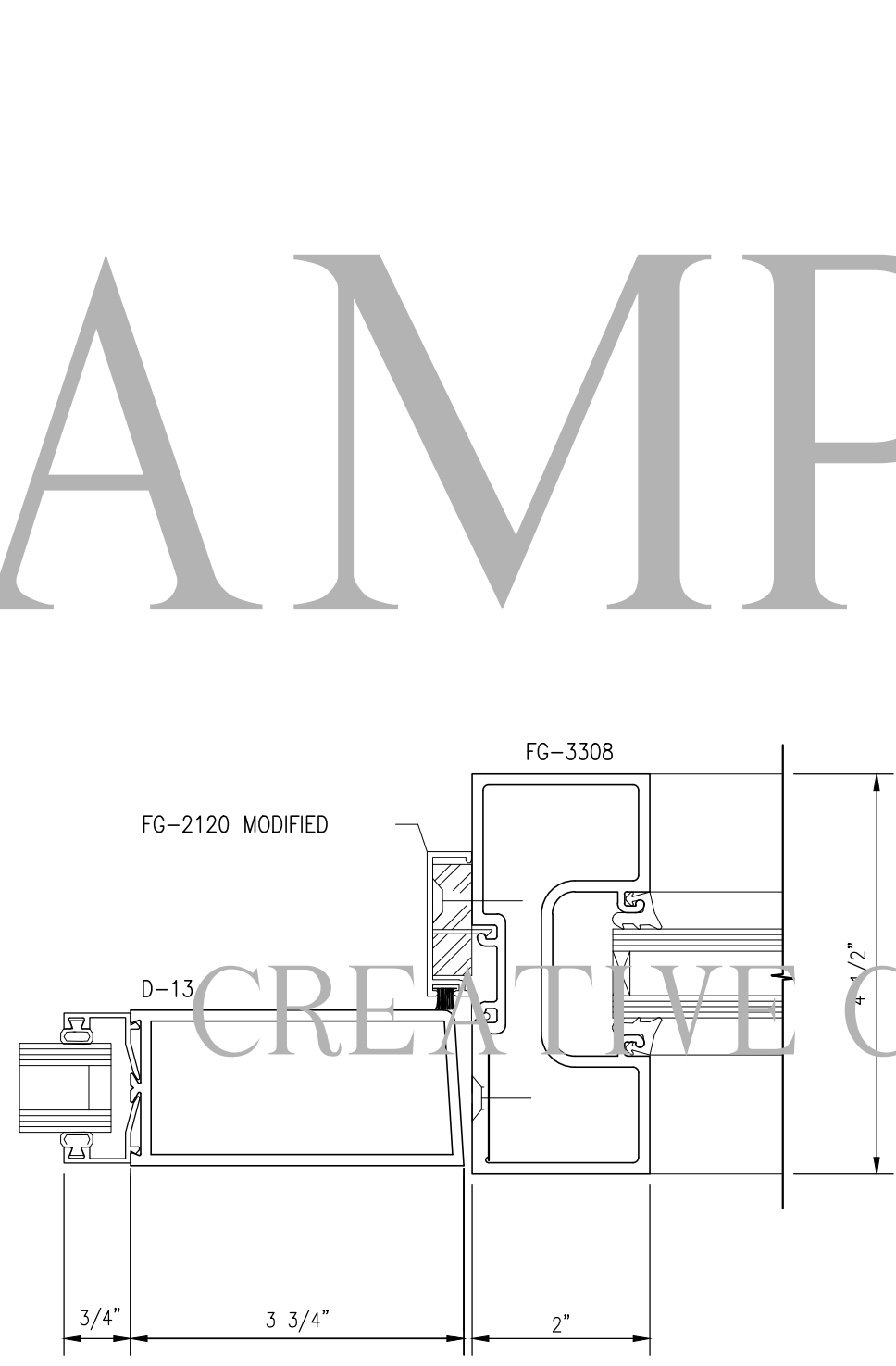
5 VERT. MULLION

6 INSIDE CORNER

7 OUTSIDE CORNER

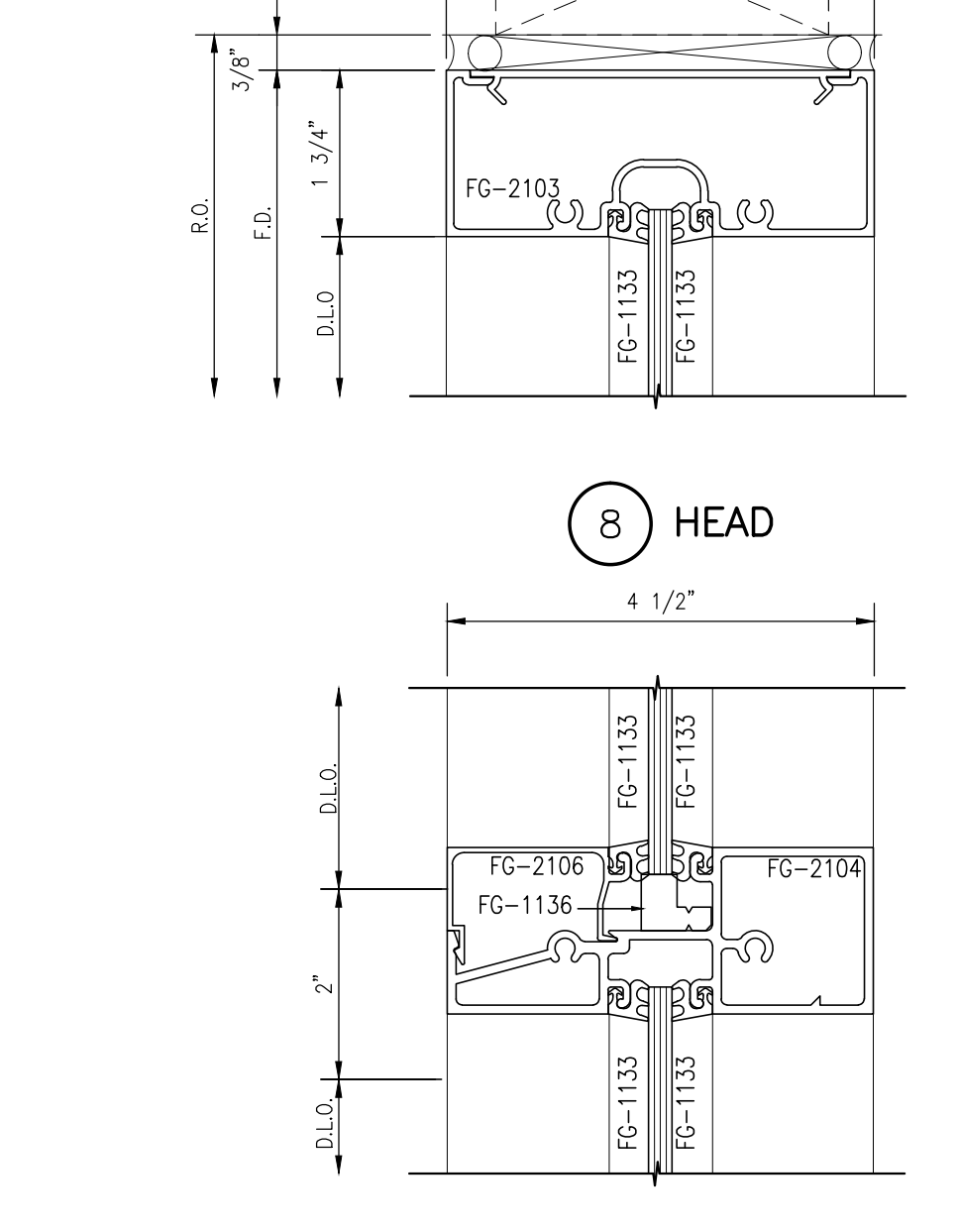


15 HEAD

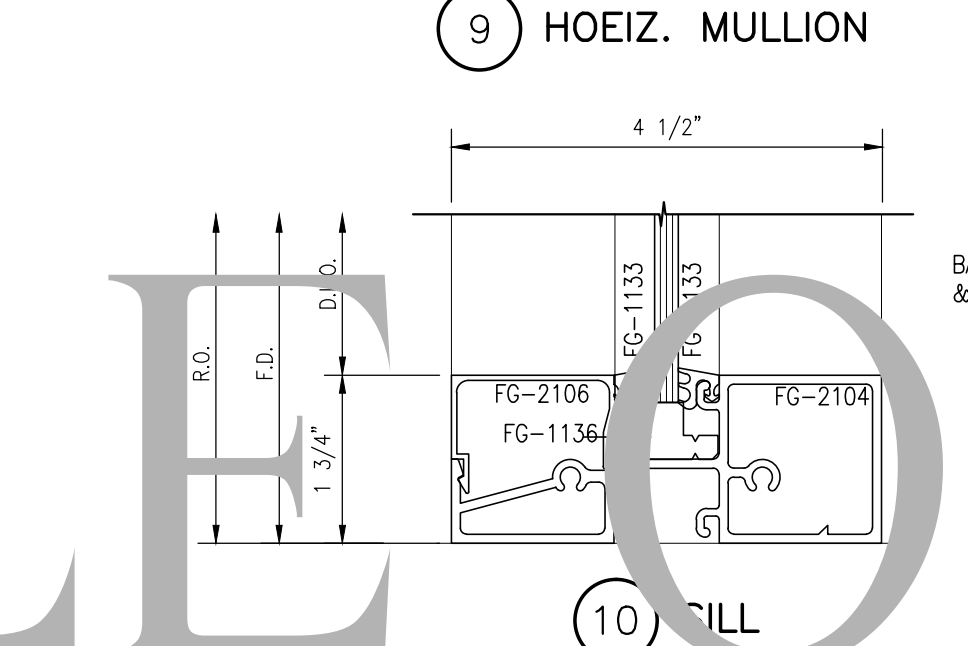


16 JAMB

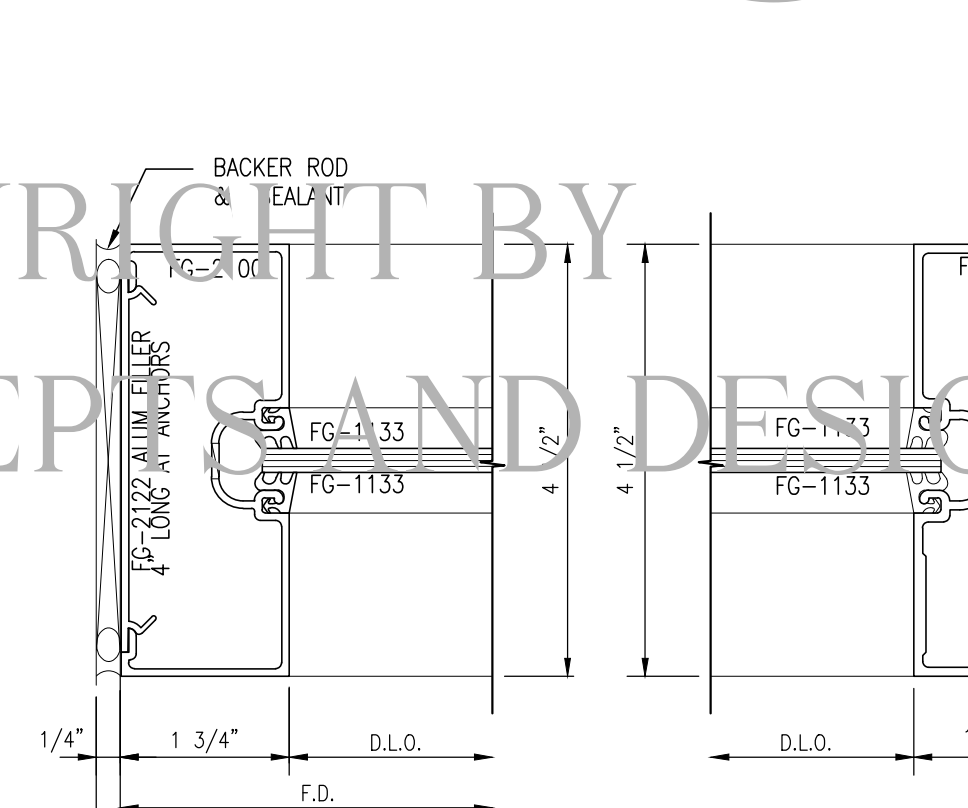
17 JAMB



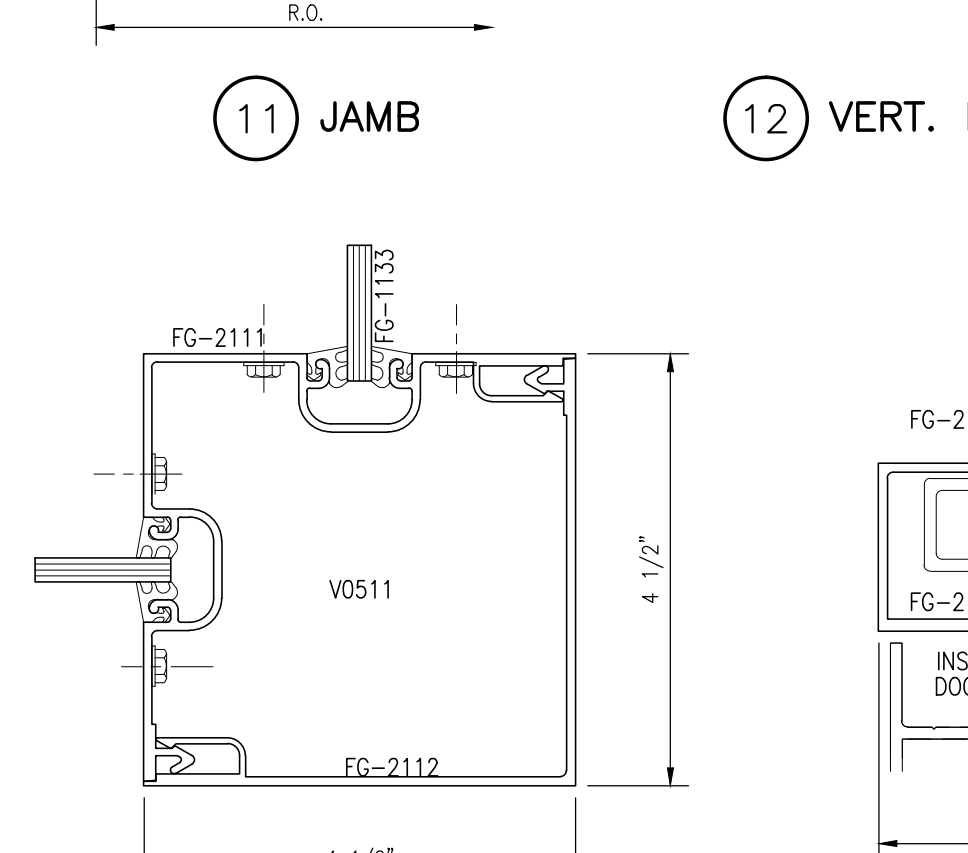
8 HEAD



9 HOEIZ. MULLION

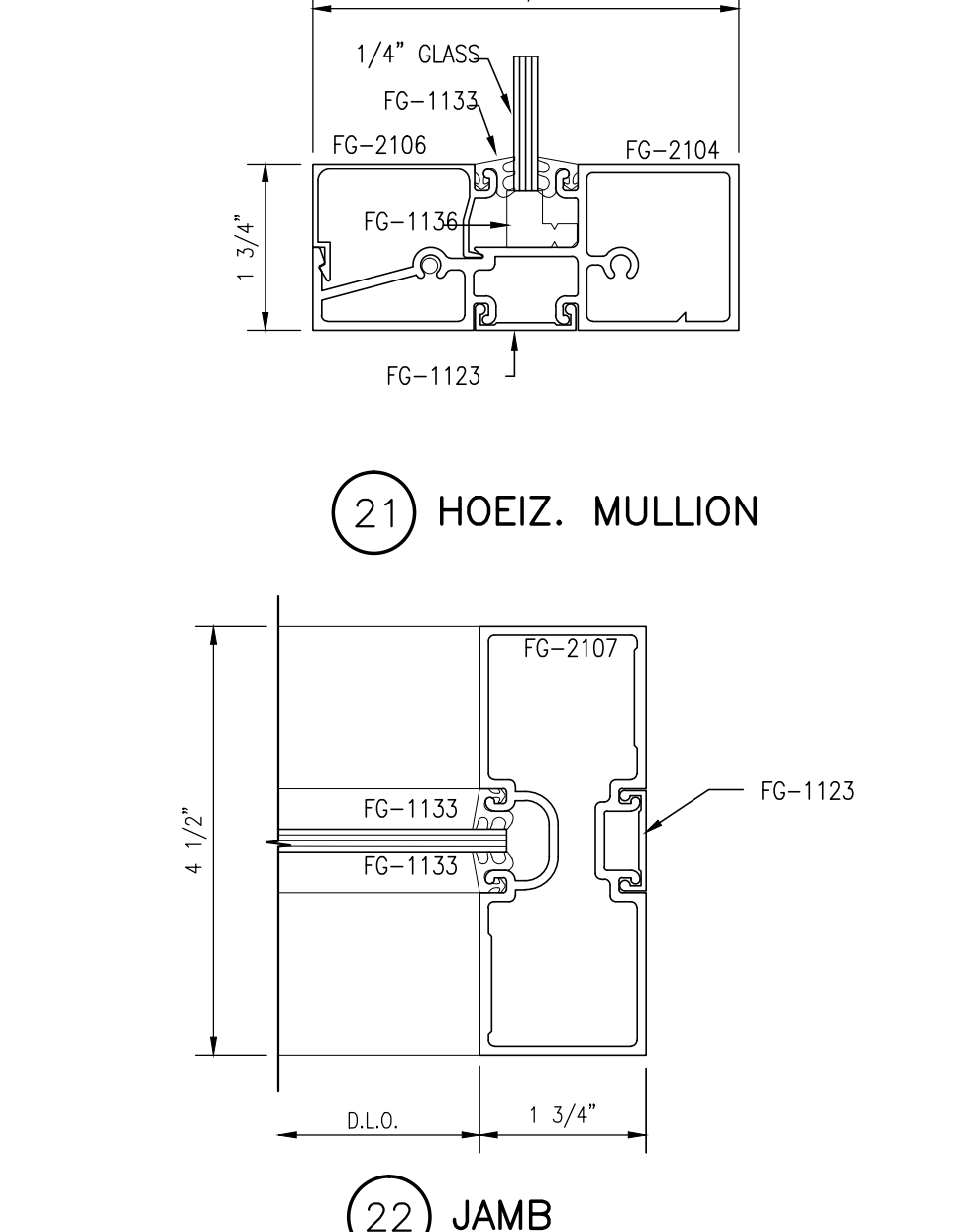


10 SILL

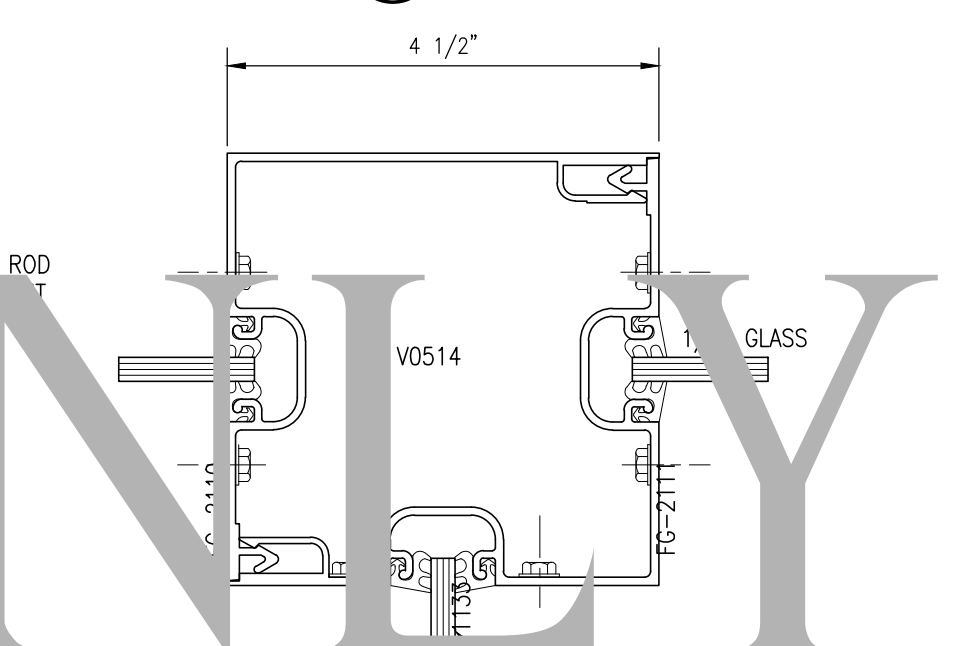


11 JAMB

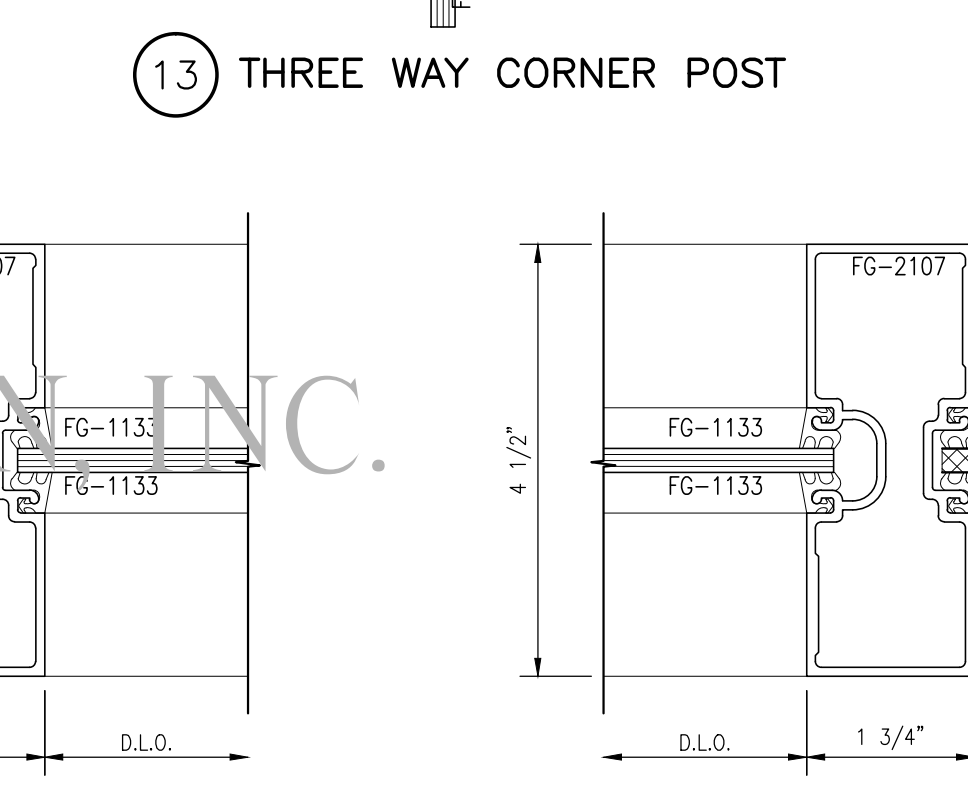
14 CORNER POST



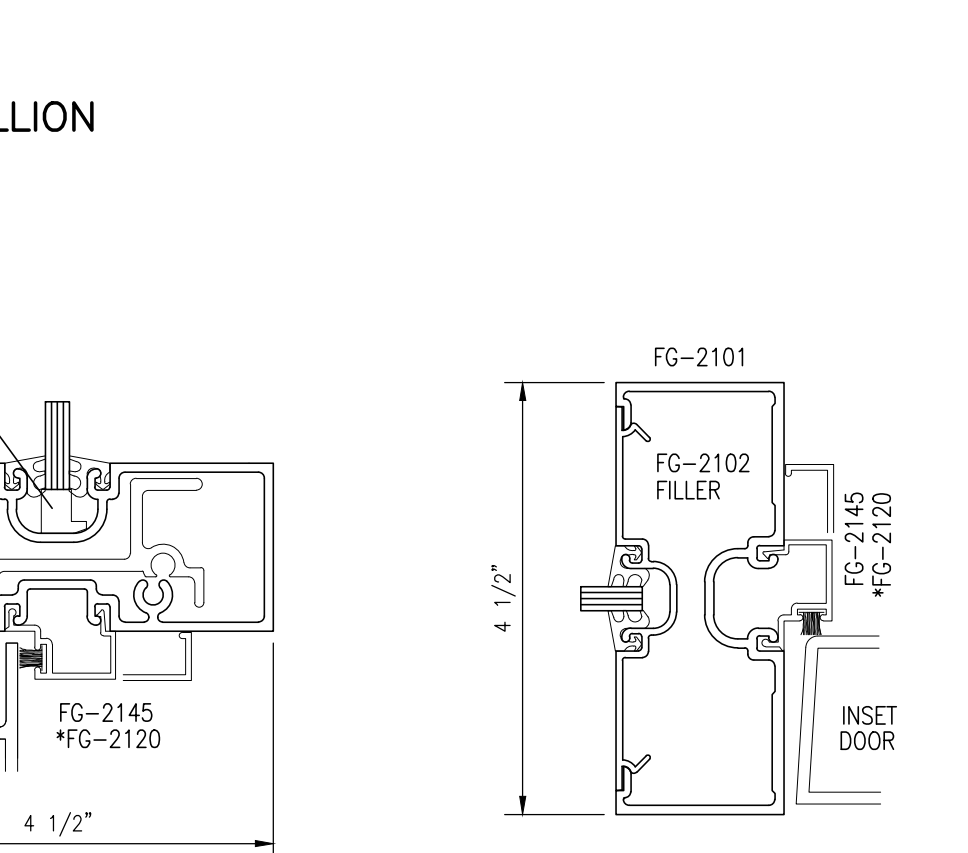
21 HOEIZ. MULLION



22 JAMB



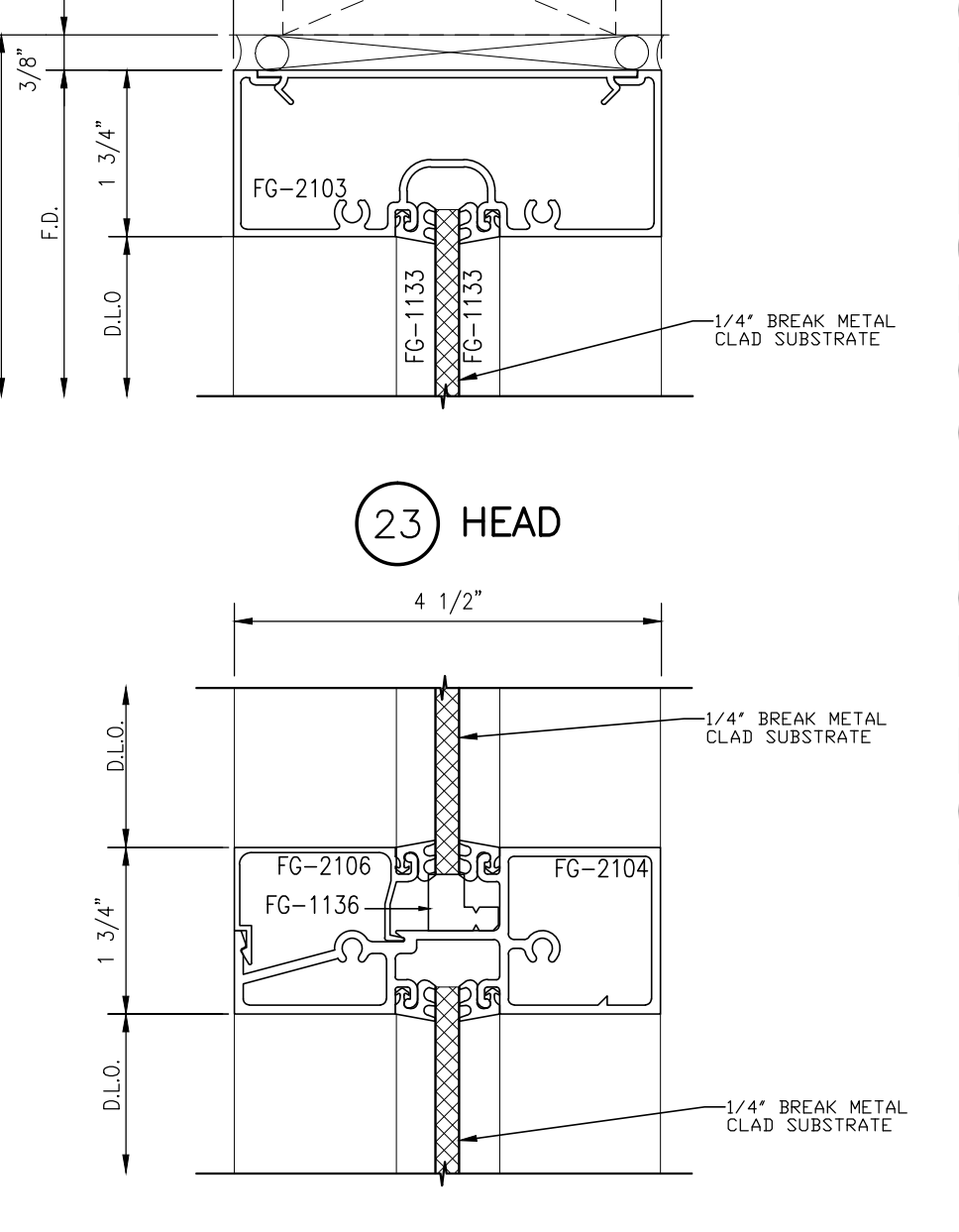
13 THREE WAY CORNER POST



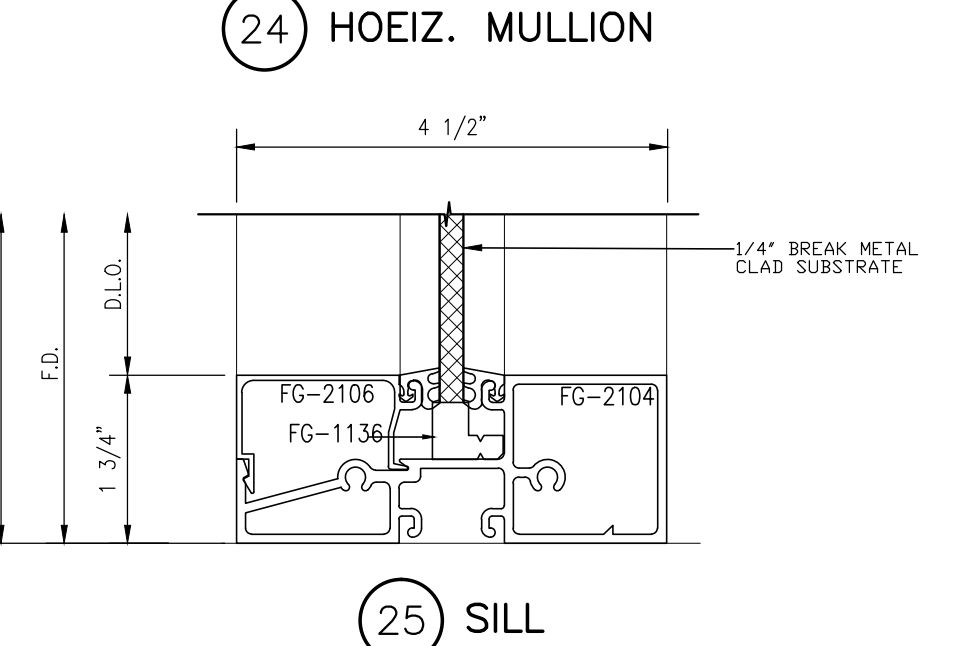
12 VERT. MULLION

18 HEAD

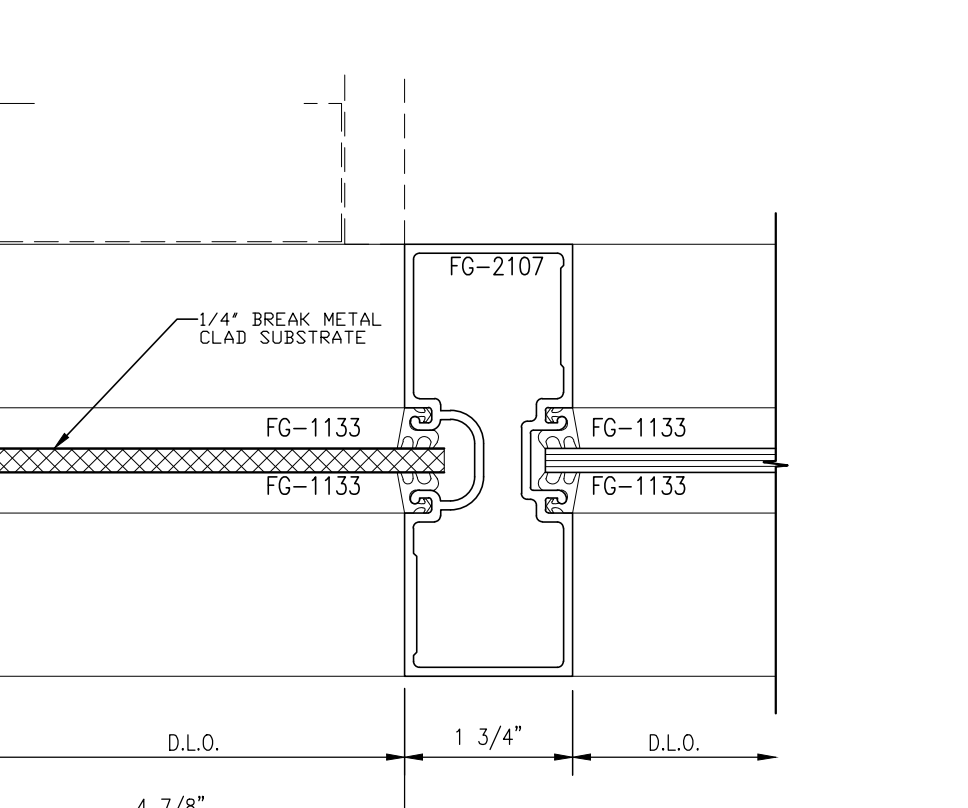
19 JAMB



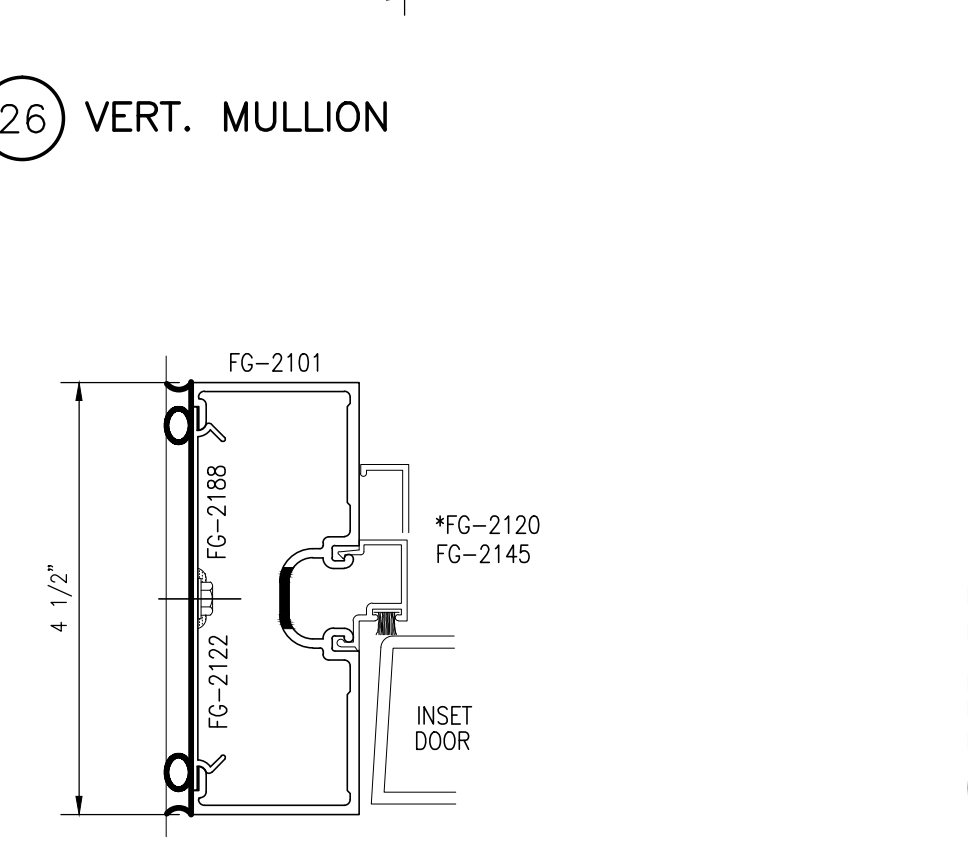
23 HEAD



24 HOEIZ. MULLION



25 SILL



26 VERT. MULLION

20 JAMB

SAMPLE ONLY

COPYRIGHT BY CREATIVE CONCEPTS AND DESIGN INC.