

NOT FOR CONSTRUCTION

PROJECT

Project Name:

Location:

Project No.:

Manager:

ARCHITECT / CONTRACTOR

Architect:

Project No.:

Contractor:

Attention:

Sheet Title:  
FG-3000  
EXTERIOR  
FRAME  
ELEVATIONS

Date Issued: 6.27.14

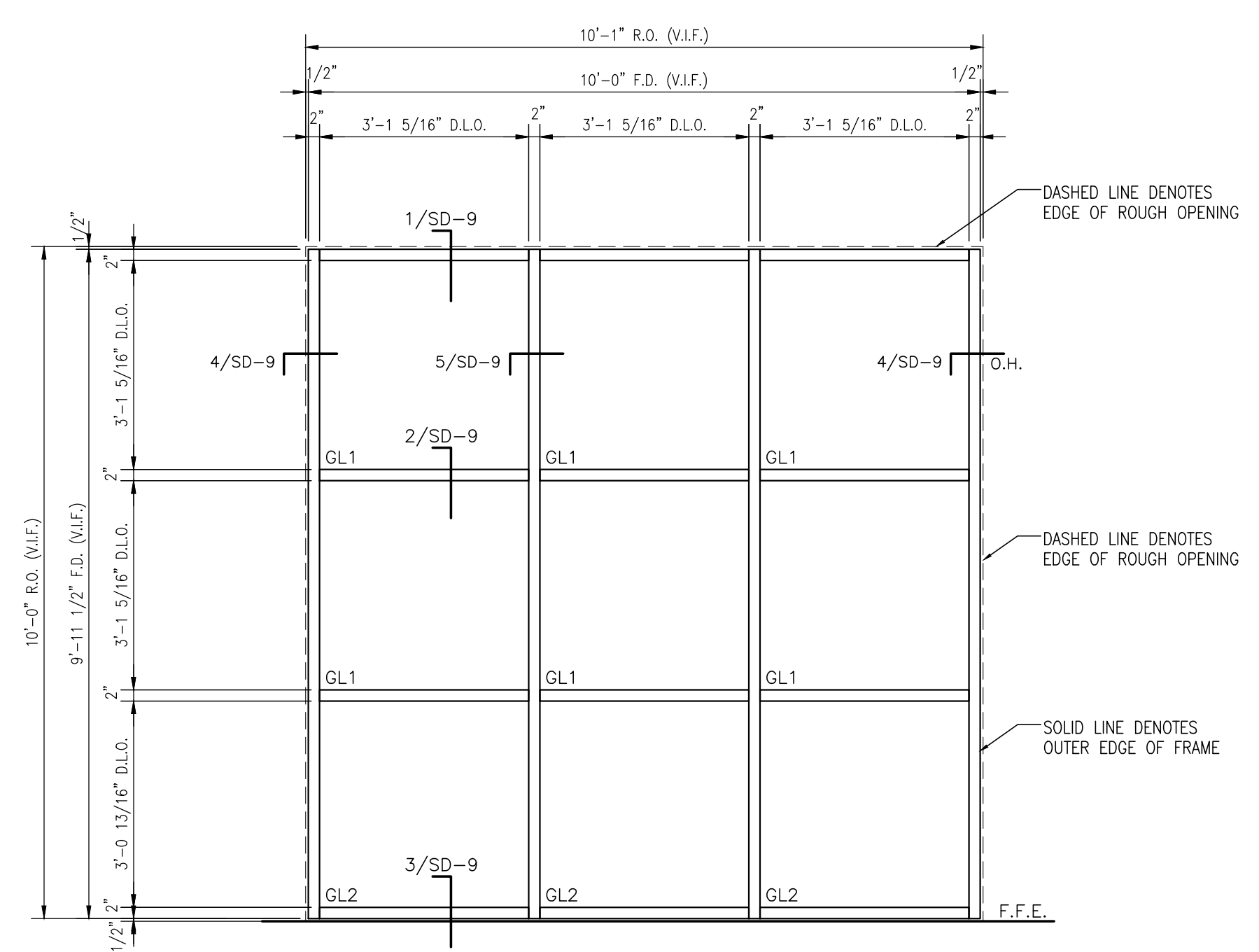
- Revisions:
- 1.
  - 2.
  - 3.

Scale: 1/2" = 1'

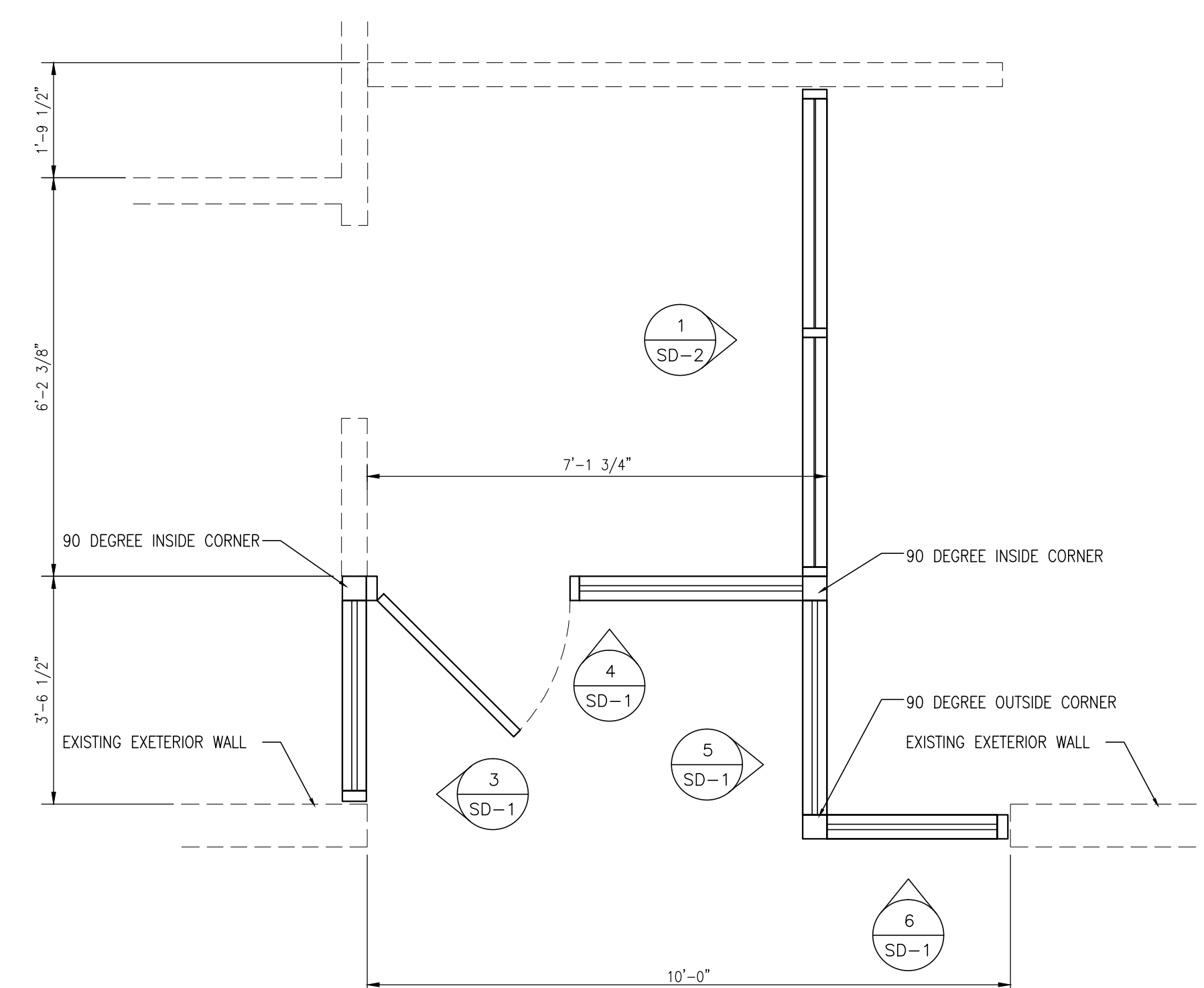
Sheet No.:

SD-1 3 of 12

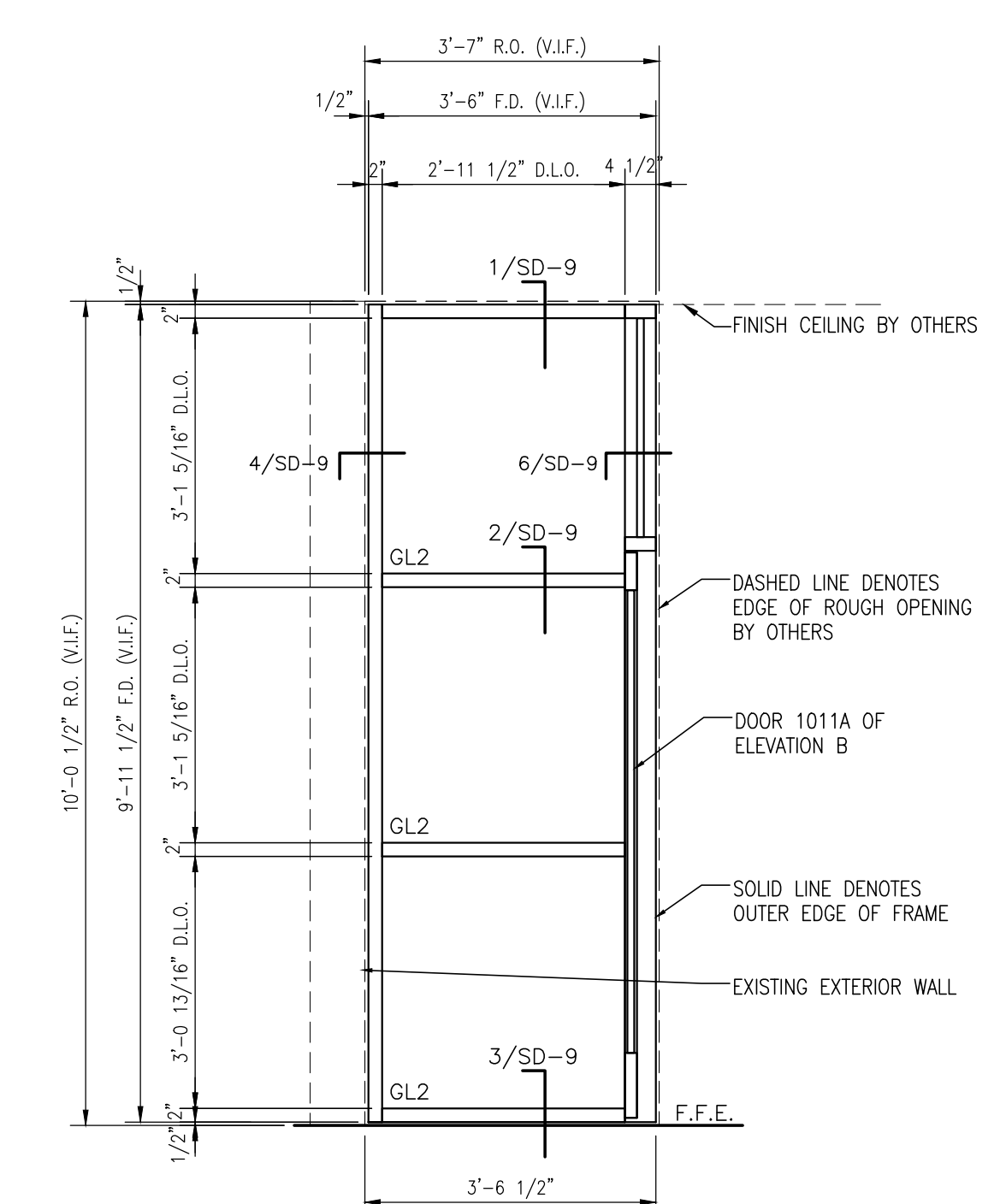
FOR REVIEW ONLY



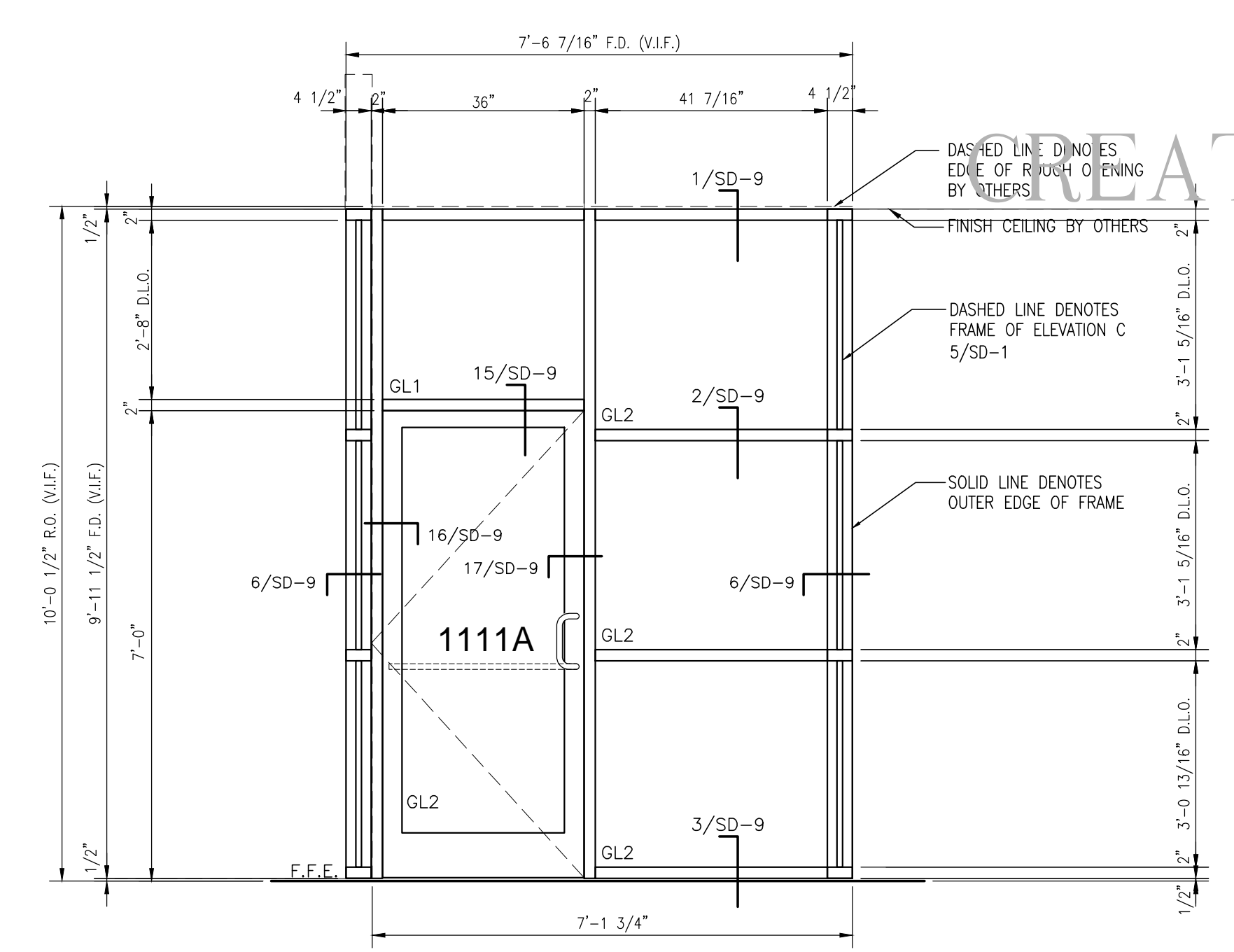
**1 EXTERIOR WINDOW A SYSTEM 3000**  
SD-1 2 THUS  
QTY. 2 TOTAL 1/2" = 1'-0"



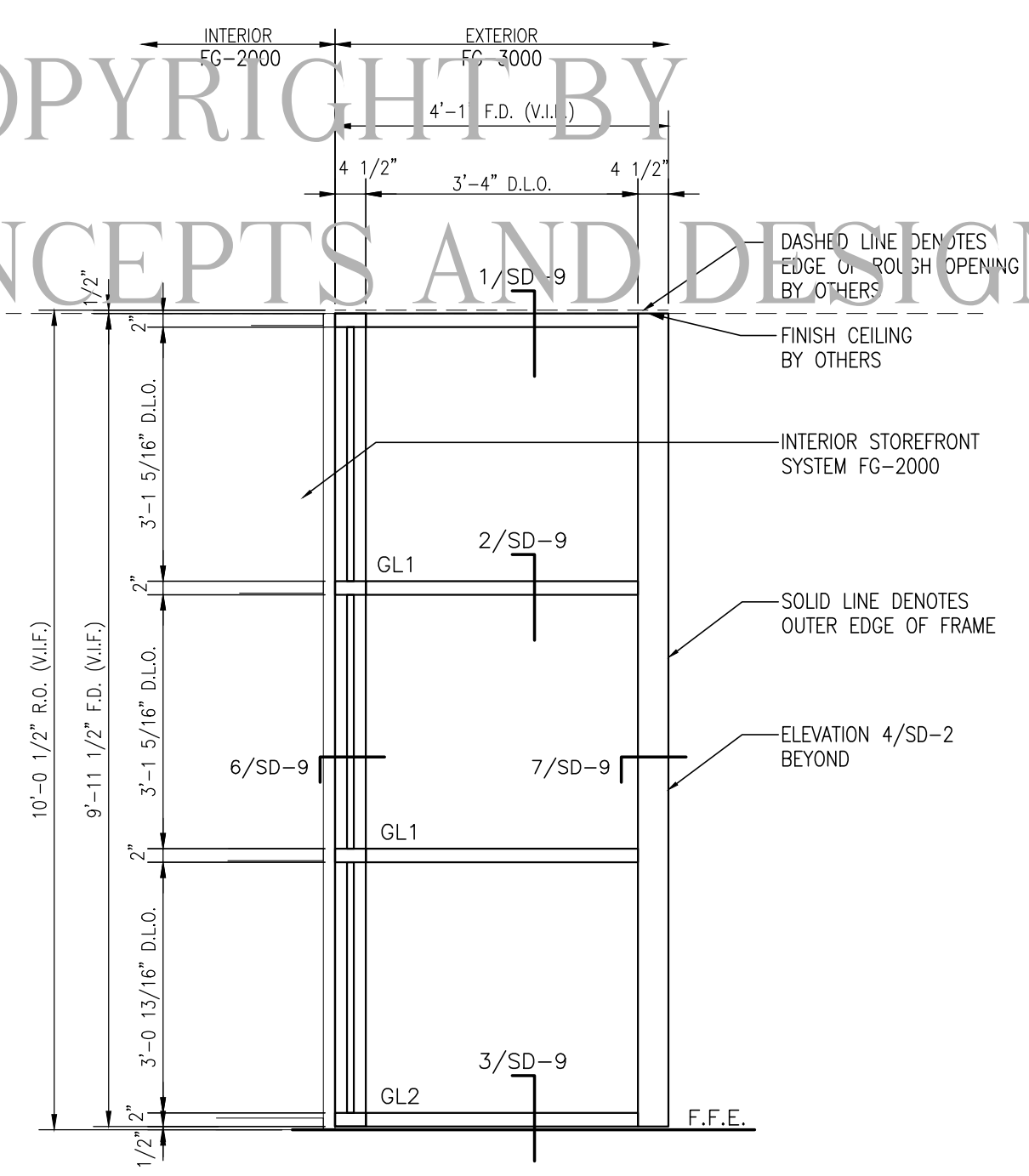
**2 DOOR 1011A FLOOR PLAN SYSTEM 3000**  
SD-1 1 THUS  
QTY. 1 TOTAL 1/2" = 1'-0"



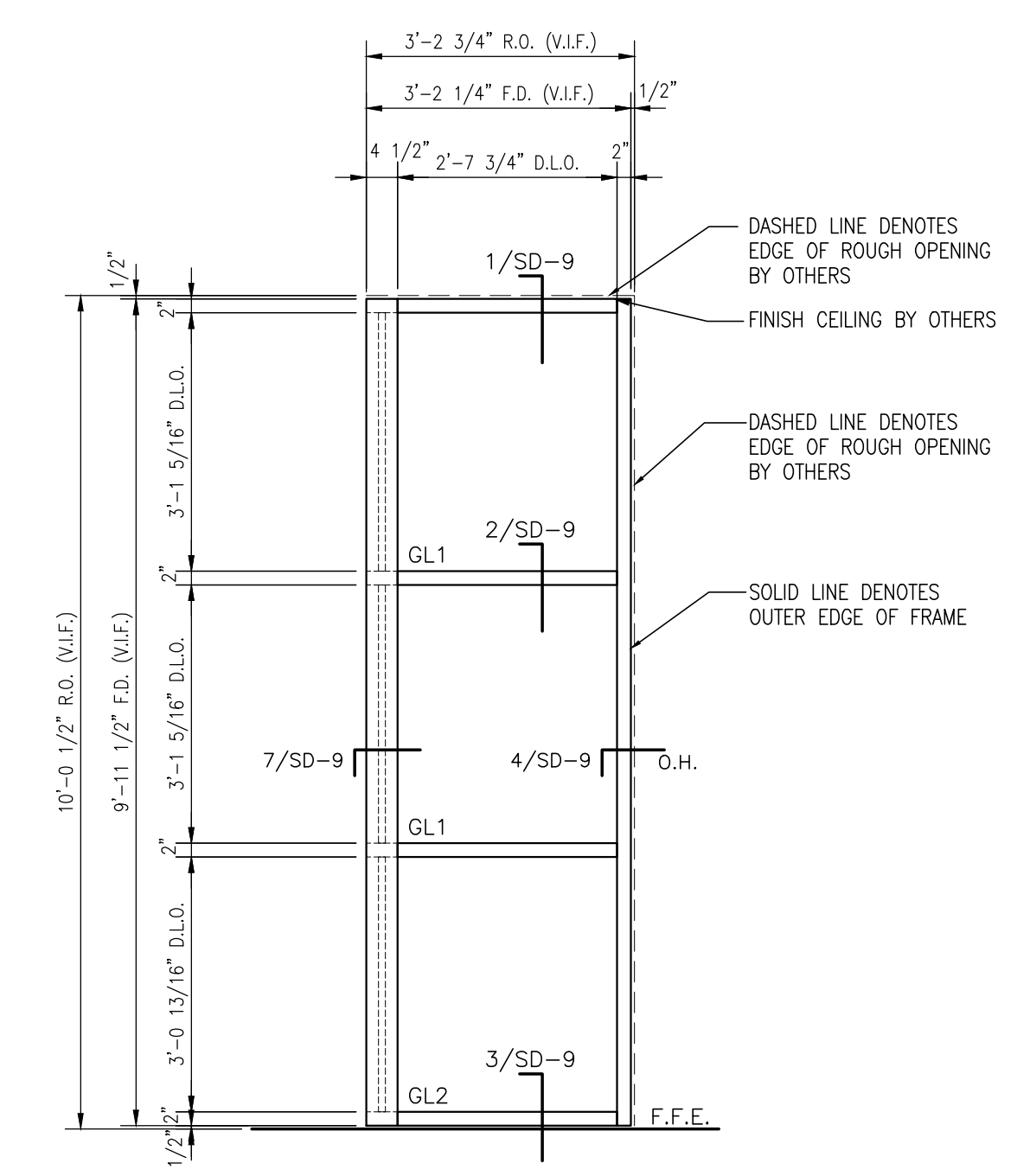
**3 ELEVATION B - DOOR 1011A SYSTEM 3000 HWD #A8**  
SD-1 1 THUS  
QTY. 1 TOTAL 1/2" = 1'-0"



**4 ELEVATION B - DOOR 1011A SYSTEM 3000 HWD #A8**  
SD-1 1 THUS  
QTY. 1 TOTAL 1/2" = 1'-0"



**5 ELEVATION C - DOOR 1011A SYSTEM 3000 HWD #A8**  
SD-1 1 THUS  
QTY. 1 TOTAL 1/2" = 1'-0"



**6 ELEVATION D - DOOR 1011A SYSTEM 3000 HWD #A8**  
SD-1 1 THUS  
QTY. 1 TOTAL 1/2" = 1'-0"

GENERAL NOTE: ALL DIMENSIONS TO BE VERIFIED IN THE FIELD (V.I.F.)

**GLAZING LEGEND:**

GL1	1" Insulated Glass - Low E #3 - Dark Green
GL2	1" Insulated Glass Tempered - Low E #3 - Dark Green
GL3	1/4" Clear Tempered
MP1	Metal Panel

SAMPLE ONLY

COPYRIGHT BY CREATIVE CONCEPTS AND DESIGN, INC.