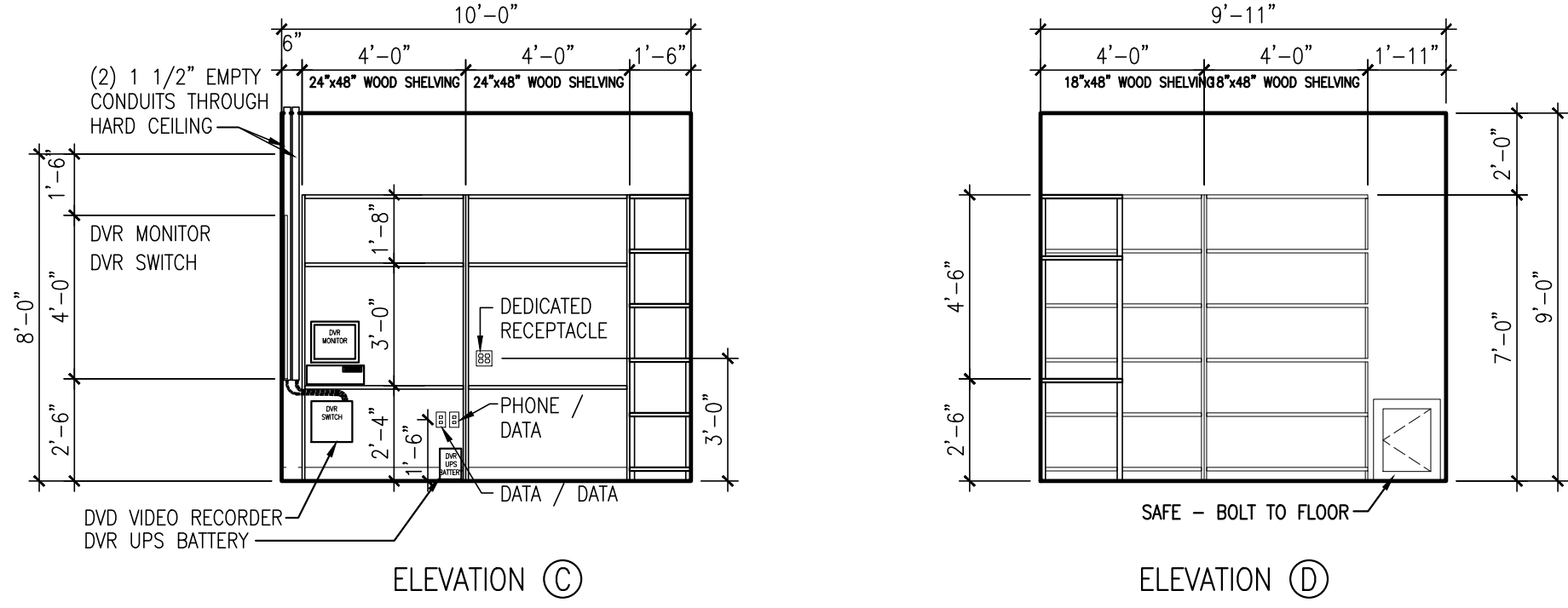
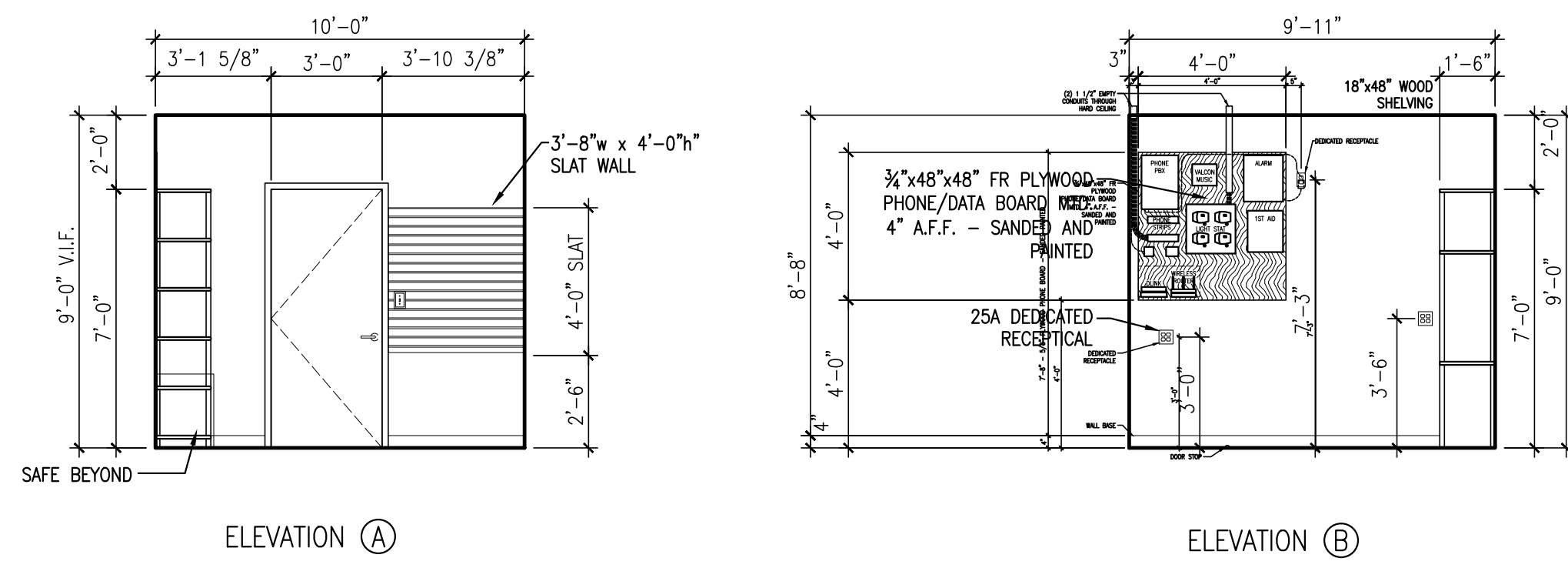
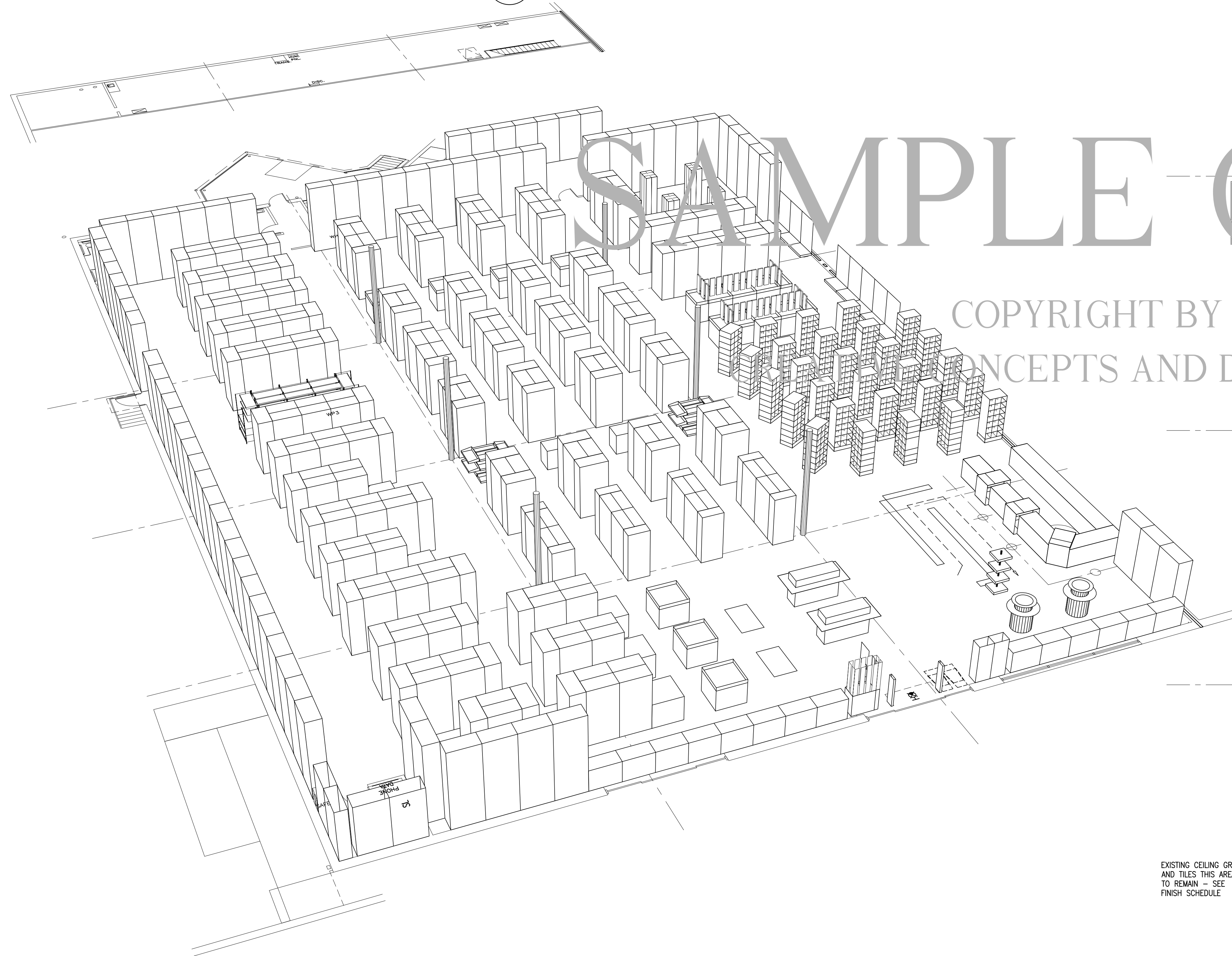


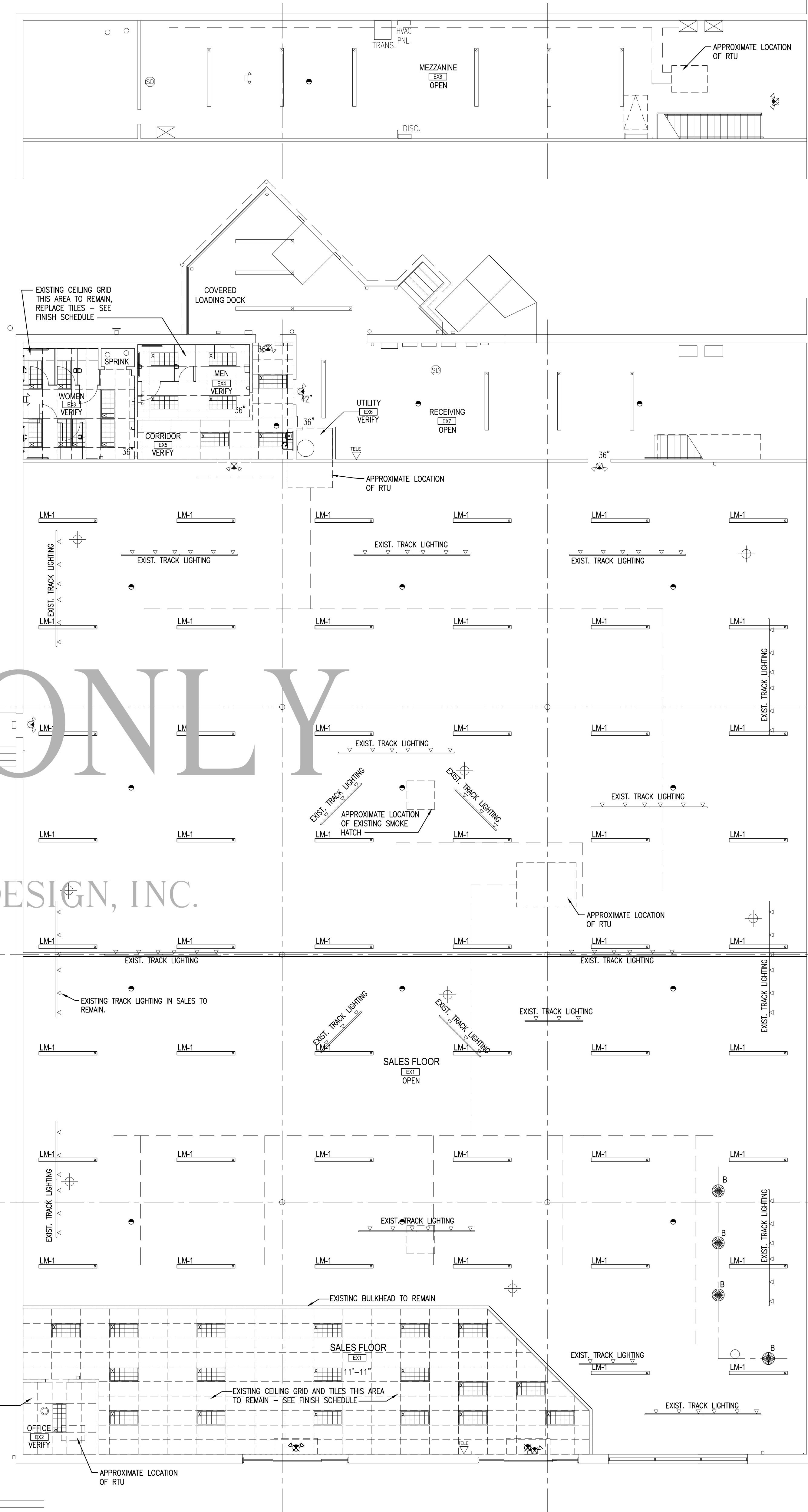
2 Enlarged Office Plan
A-1.1 SCALE: 1/4" = 1'-0"



3 Enlarged Office Elevations
A-1.1 SCALE: 1/4" = 1'-0"



4 Store Perspective
A-1.1 N.T.S.



1 Reflected Ceiling Plan
A-1.1 SCALE: 1/8" = 1'-0"

CEILING SCOPE:
1. ALL SALES FLOOR EXISTING TRACK LIGHTING TO REMAIN
2. SEE FINISH SCHEDULE FOR ALL CEILING FINISHES.

SAMPLE ONLY
COPYRIGHT BY
CONCEPTS AND DESIGN, INC.

Project Team

Project:

Seal

Issue Date: 6/6/2014

Revisions:

Sheet Title:
REFLECTED
CEILING AND
ENLARGED OFFICE
PLANS AND
ELEVATIONS

A-1.1

Sheet no.