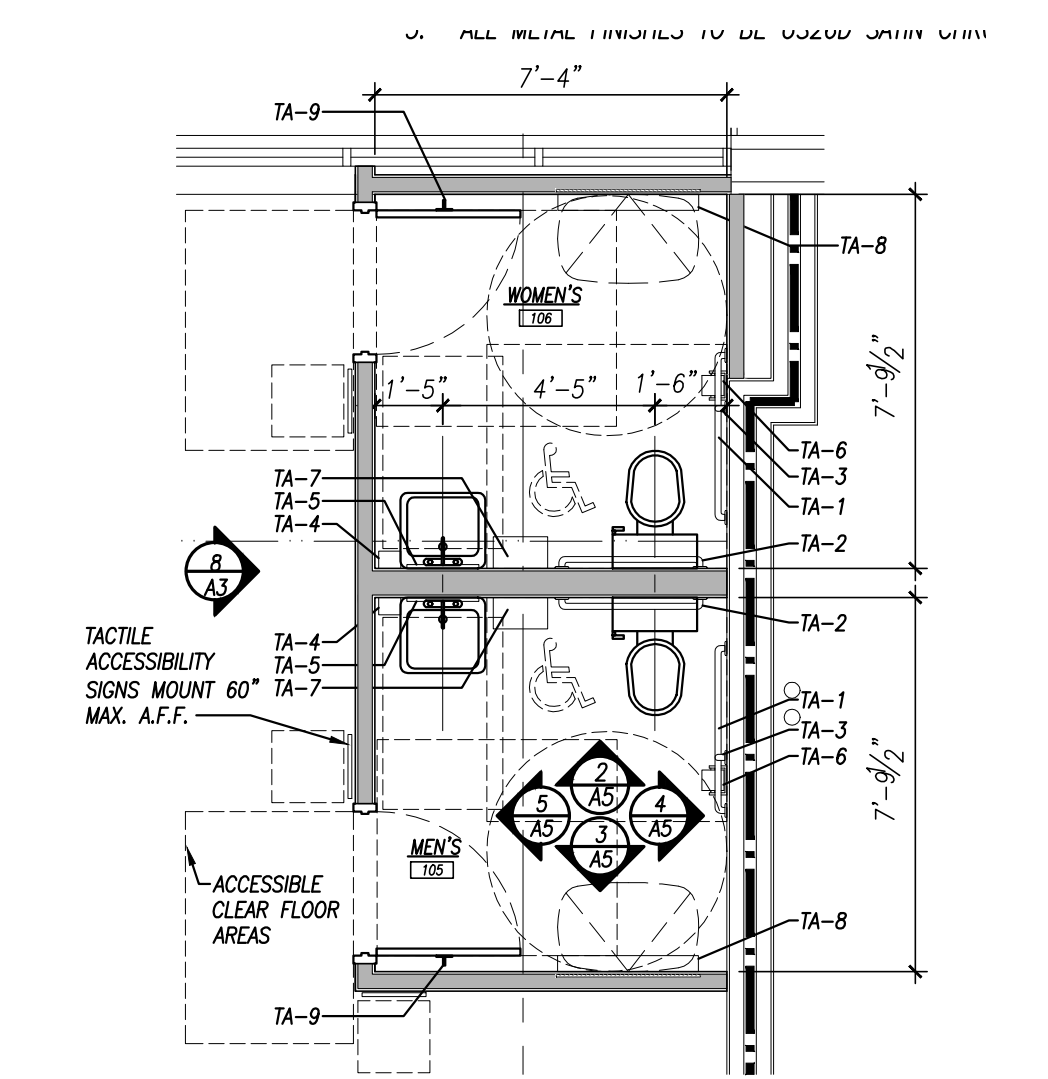


MARK	ITEM	MOUNTING HEIGHT	MODEL
TA-1	42" LG. GRAB BAR	33" TO 36" AFF TO C.L. OF BAR	AMERICAN SPECIALTIES 42" #3100
TA-2	36" LG. GRAB BAR	33" TO 36" AFF TO C.L. OF BAR	AMERICAN SPECIALTIES 36" #3100
TA-3	18" LG. GRAB BAR - VERT.	39" TO 41" AFF TO C.L. OF BAR	AMERICAN SPECIALTIES 18" #3100
TA-4	SOAP DISPENSER	40" MAX. AFF TO DISP. MECHANISM	GOJO NXT SPACE SAVER DOVE GREY
TA-5	MIRROR 18" x 36"	40" MAX. AFF TO BOTTOM OF MIRROR	AMERICAN SPECIALTIES 0620A
TA-6	TOILET TISSUE DISPENSER	1"-7" MIN. AFF TO C.L. OF DISPENSER	TORK - T22 SYSTEM #5611 SMOKE GRAY
TA-7	PAPER TOWEL DISPENSER	48" MAX. AFF TO CL. OF DISP. MECHANISM	SELECTED BY OWNER
TA-8	BABY CHANGING STATION	33" MAX. AFF TO RIM OF OPEN UNIT	KOLA-KARE - KB200
TA-9	COAT HOOK	48" MAX. AFF	BOBRICK - #B-7672

NOTES:
 1. SEE PLUMBING DRAWINGS FOR TOILET AND LAVATORY SPECIFICATIONS.
 2. PROVIDE NON-COMBUSTIBLE BLOCKING OR APPROPRIATE MTL. PLATE BEHIND AREAS TO RECEIVE WALL MOUNTED EQUIPMENT.
 3. ALL METAL FINISHES TO BE US260 SATIN CHROME.

1 TOILET ACCESSORY SCHEDULE
 A-5 SCALE: 1/4" = 1'-0"

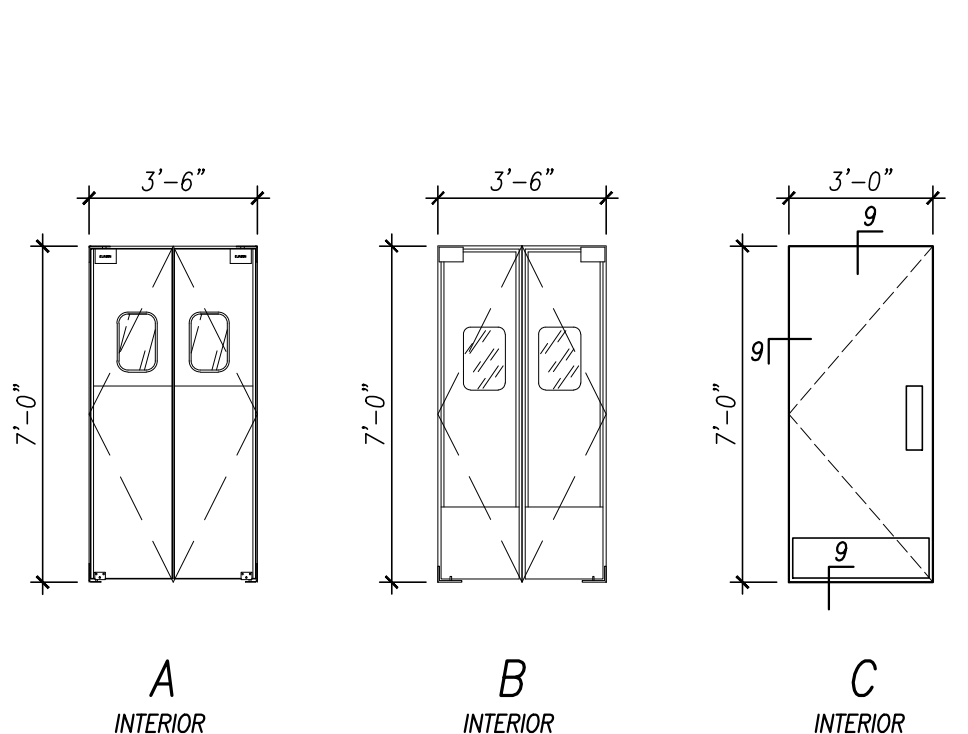


2 ENLARGED TOILET PLAN
 A-5 SCALE: 1/4" = 1'-0"

DOOR SCHEDULE								
NO.	DOOR	TYPE	FRAME	NOTE	HARDWARE			
	LOCATION	ELEVATION	ALUMINUM	WOOD	HOLLOW METAL	PER SUPPLIER	HOLLOW METAL	PER SUPPLIER
105A	3'-0" x 7'-0"	C			1, 2, 3	SET #2		
106A	3'-0" x 7'-0"	A			1, 2, 3	SET #1		
107A	3'-6" x 7'-0"	C			5	SET #4		
108A	3'-6" x 7'-0"	B			3, 5	SET #3		
EX1	PR. 3'-0" x 7'-0"	-			4, 6	-		
EX2	3'-0" x 7'-0"	-			4, 6	-		

DOOR NOTES:
 1. PROVIDE LEVER TYPE ACCESSIBLE DOOR HARDWARE.
 2. ALL LOCKSET HANDLES TO BE LEVER TYPE.
 3. APPLY ADJACENT TO DOOR. SEE INTERIOR ELEVATIONS.
 4. VERIFY ALL EXISTING DOOR HARDWARE IS IN PROPER WORKING CONDITION - REPLACE AS NEEDED.
 5. DOORS SUPPLIED AND INSTALLED BY EQUIPMENT SUPPLIER.
 6. EXISTING STOREFRONT DOORS TO BE RETROFITTED WITH PANIC EXIT DEVICES.

6 DOOR SCHEDULE
 A-5 SCALE: N.T.S.

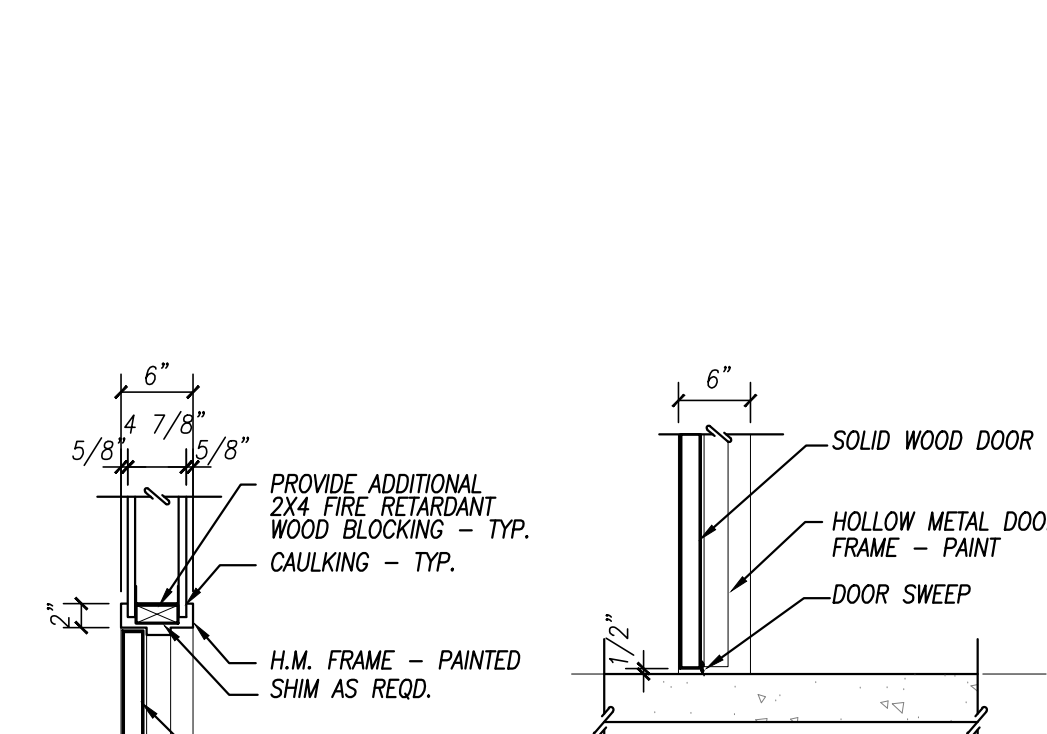


DOOR ELEVATION NOTES:
 A INTERIOR METAL DOUBLE SWINGING PROVIDED AND INSTALLED BY SUPPLIER
 B INTERIOR METAL DOUBLE SWINGING PROVIDED AND INSTALLED BY SUPPLIER
 C INTERIOR SOLID CORE WOOD PAINTED

7 DOOR ELEVATIONS
 A-5 SCALE: 1/4" = 1'-0"

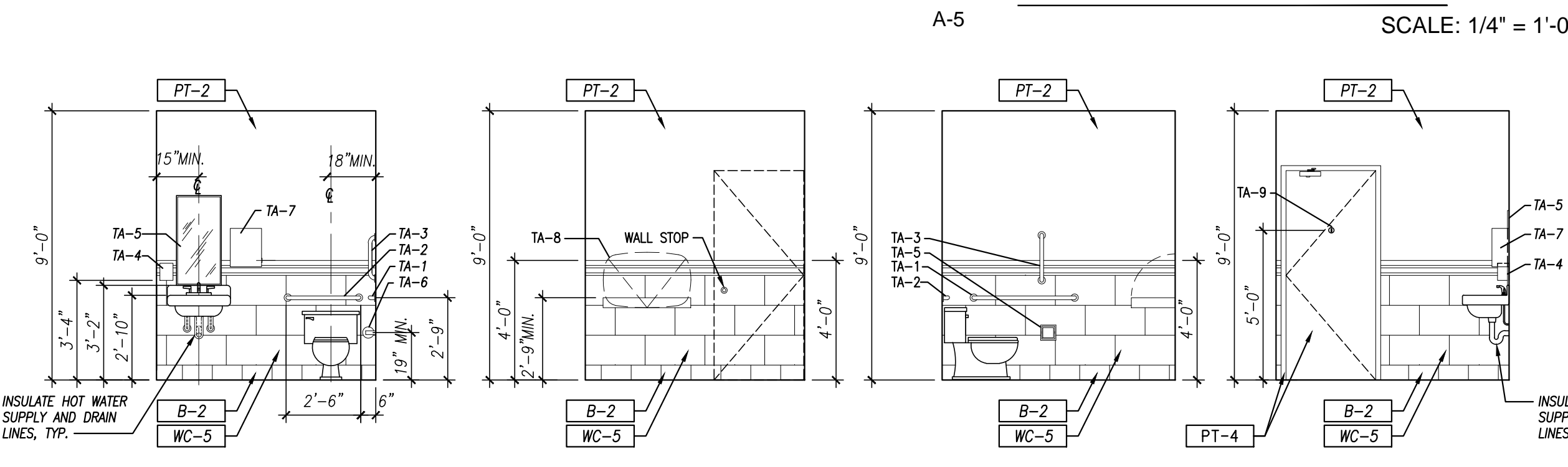
- GROUP #1 TOILET WOMEN**
 - 3 HINGES 4 1/2" x 4 1/2" x US260
 - 1 PRIVACY LOCKSET, MEET ANSI A156.2, ADA APPROVED x US260 FINISH.
 - 1 DOOR CLOSER, PARALLEL ARM MOUNTING, ADJUSTABLE TO MEET ADA REQUIREMENTS, x US260
 - 1 WALL STOP x US260 FINISH
 - 3 SILENCERS
 - 1 SIGN, (TACTILE WOMEN)
- GROUP #2 TOILET MEN**
 - 3 HINGES 4 1/2" x 4 1/2" x US260
 - 1 PRIVACY LOCKSET, MEET ANSI A156.2, ADA APPROVED x US260 FINISH.
 - 1 WALL STOP x US260 FINISH
 - 1 DOOR CLOSER, PARALLEL ARM MOUNTING, ADJUSTABLE TO MEET ADA REQUIREMENTS, x US260
 - 3 SILENCERS
 - 1 SIGN, (TACTILE MEN)
- GROUP #3 DINING / KITCHEN**
 - ALL HARDWARE TO BE PROVIDED BY EQUIPMENT SUPPLIER.
 - 1 SIGN, (AUTHORIZED PERSONNEL ONLY)
- GROUP #4 KITCHEN / SERVING**
 - ALL HARDWARE TO BE PROVIDED BY EQUIPMENT SUPPLIER.

8 HARDWARE SCHEDULE
 A-5 SCALE: N.T.S.

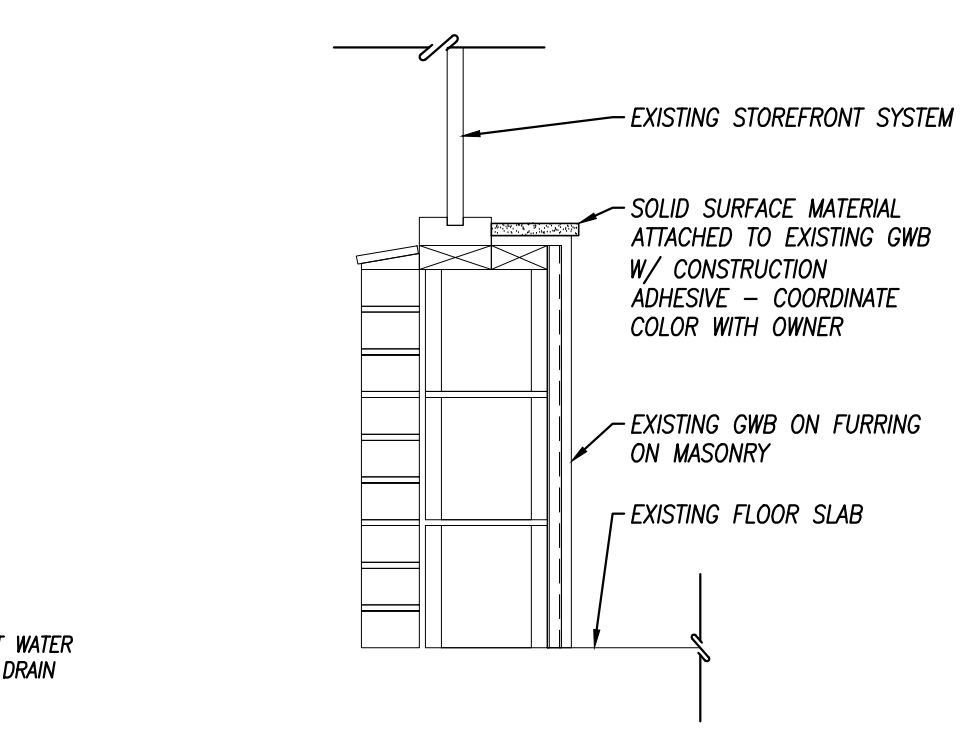


DOOR DETAIL NOTES:
 PROVIDE ADDITIONAL 2x4 FIRE RETARDANT WOOD BLOCKING - TYP. CALKING - TYP.
 SOLID WOOD DOOR
 HOLLOW METAL DOOR FRAME - PAINT
 H.M. FRAME - PAINTED SHW AS REQD.
 SOLID WOOD DOOR
 DOOR SWEEP

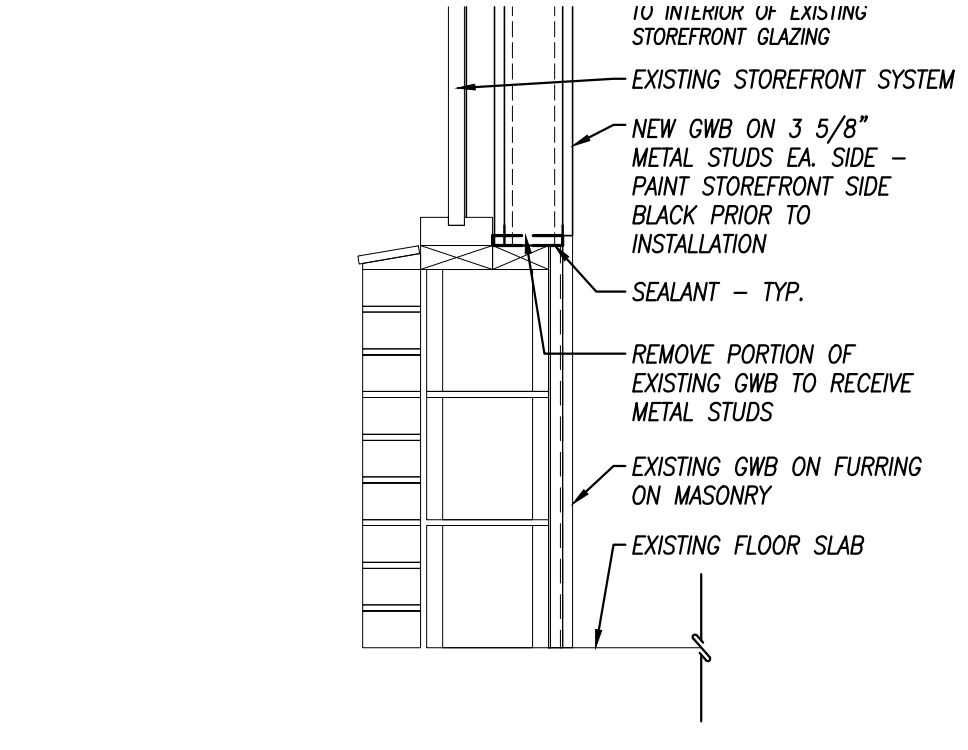
9 DOOR DETAILS
 A-5 SCALE: 3/4" = 1'-0"



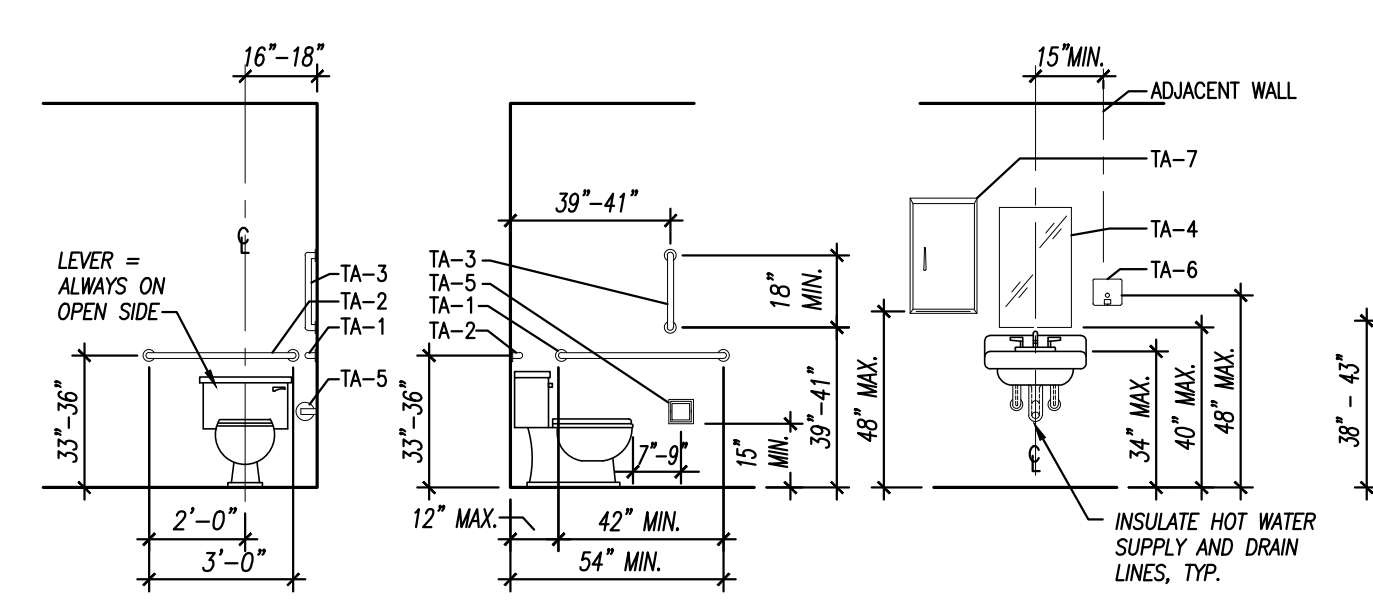
3 INTERIOR TOILET ROOM ELEVATIONS
 A-5 SCALE: 1/4" = 1'-0"
 WOMEN'S TOILET ROOM IS OPPOSITE HAND



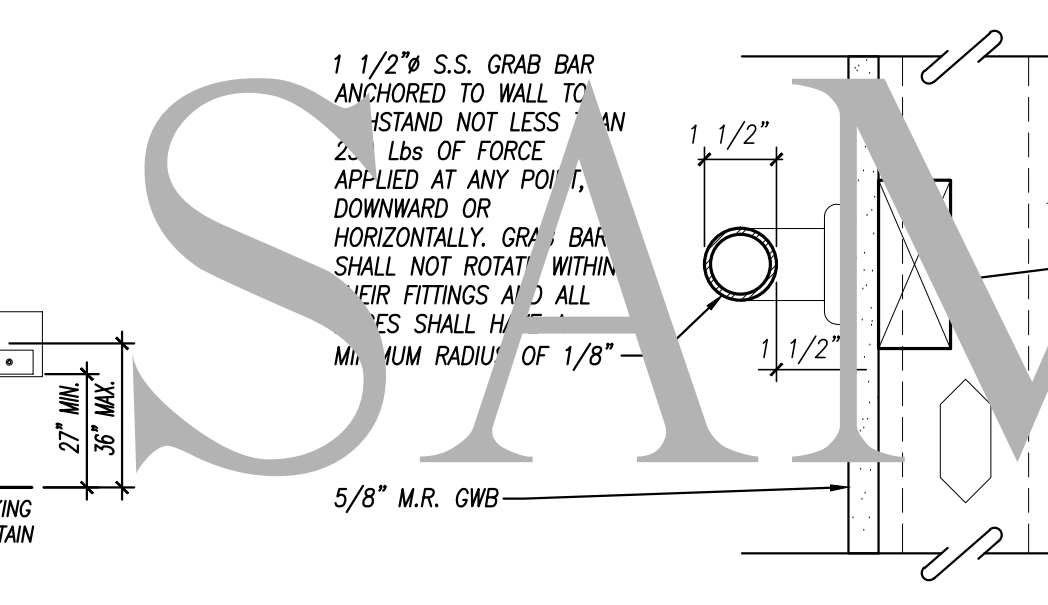
10 SILL DETAIL
 A-5 SCALE: 1" = 1'-0"



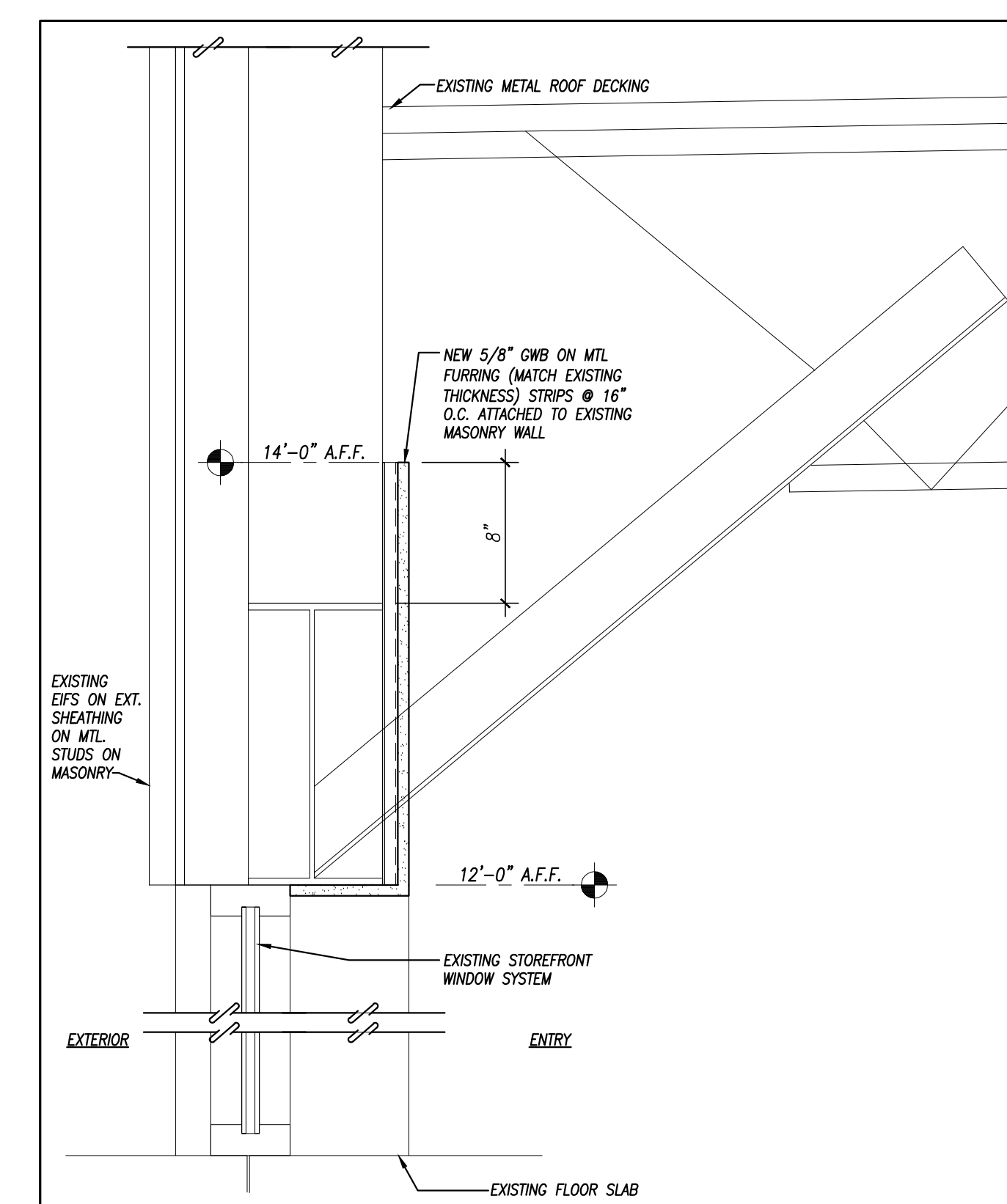
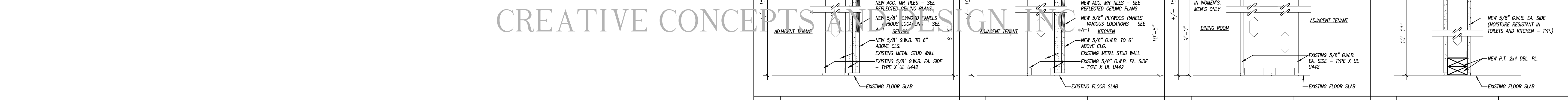
11 PARTIAL WALL DETAIL
 A-5 SCALE: 1" = 1'-0"



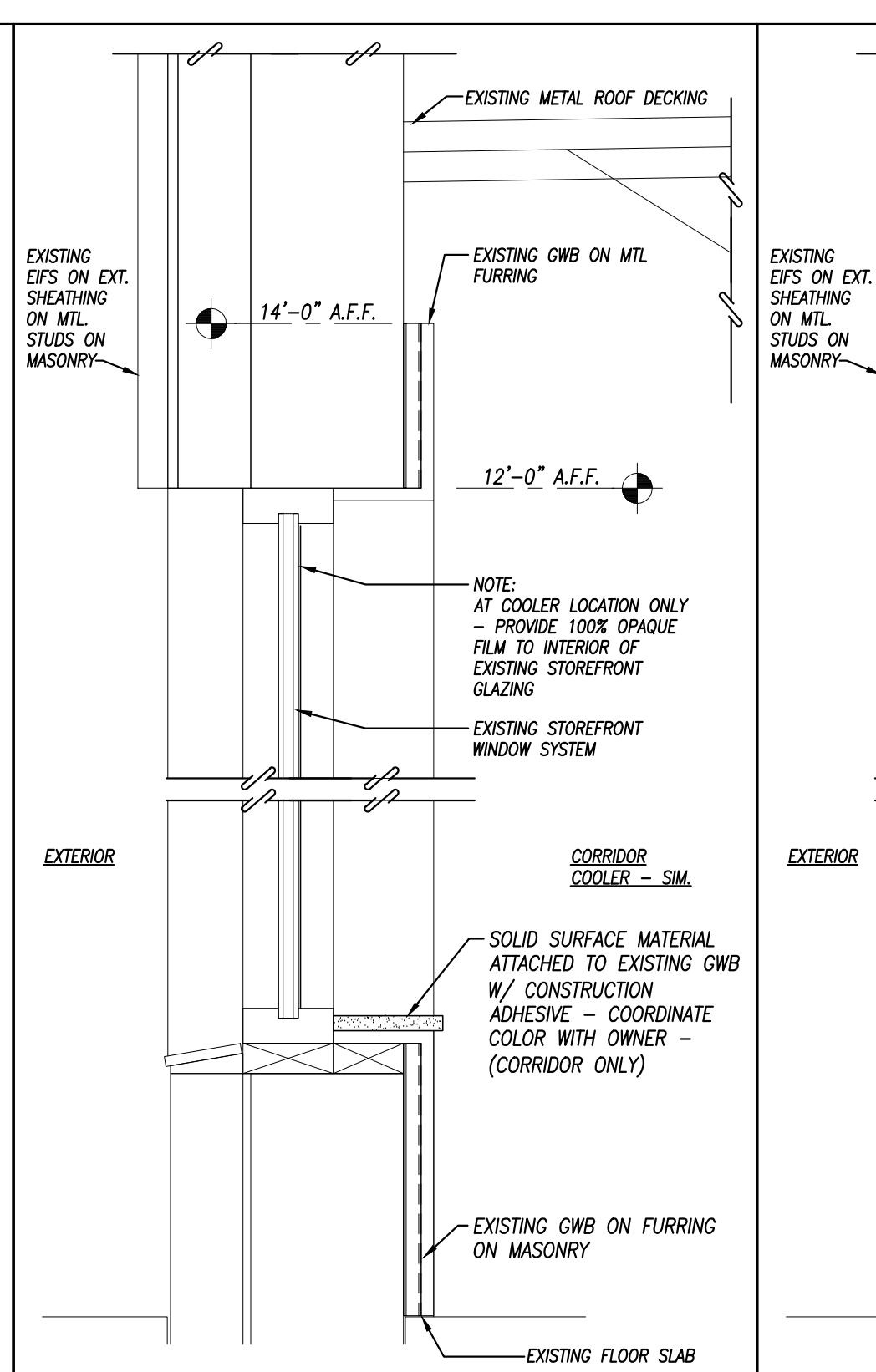
4 ACCESSIBLE MOUNTING HEIGHT DETAIL
 A-5 SCALE: 1/4" = 1'-0"



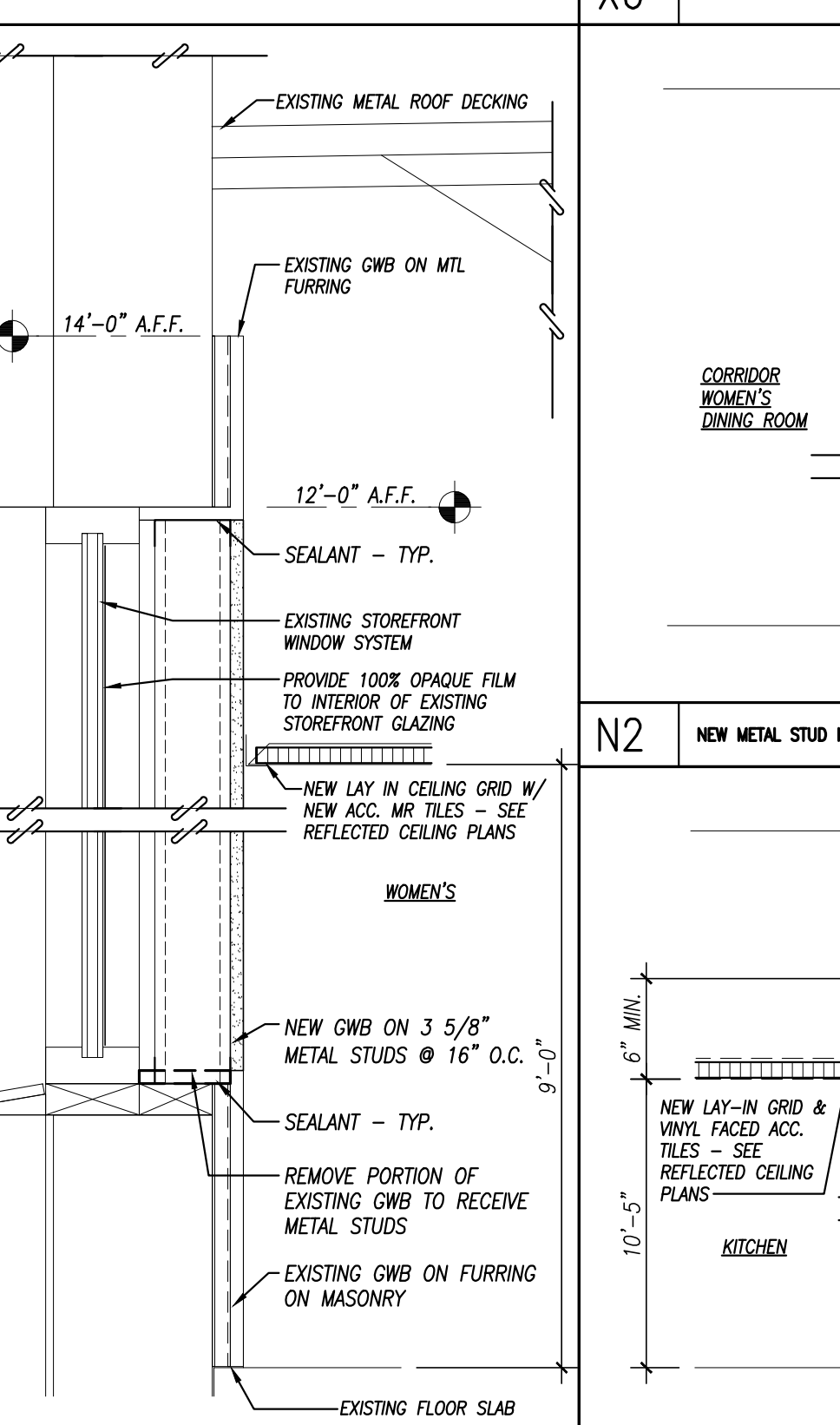
5 GRAB BAR MOUNTING DETAIL
 A-5 SCALE: 1/4" = 1'-0"



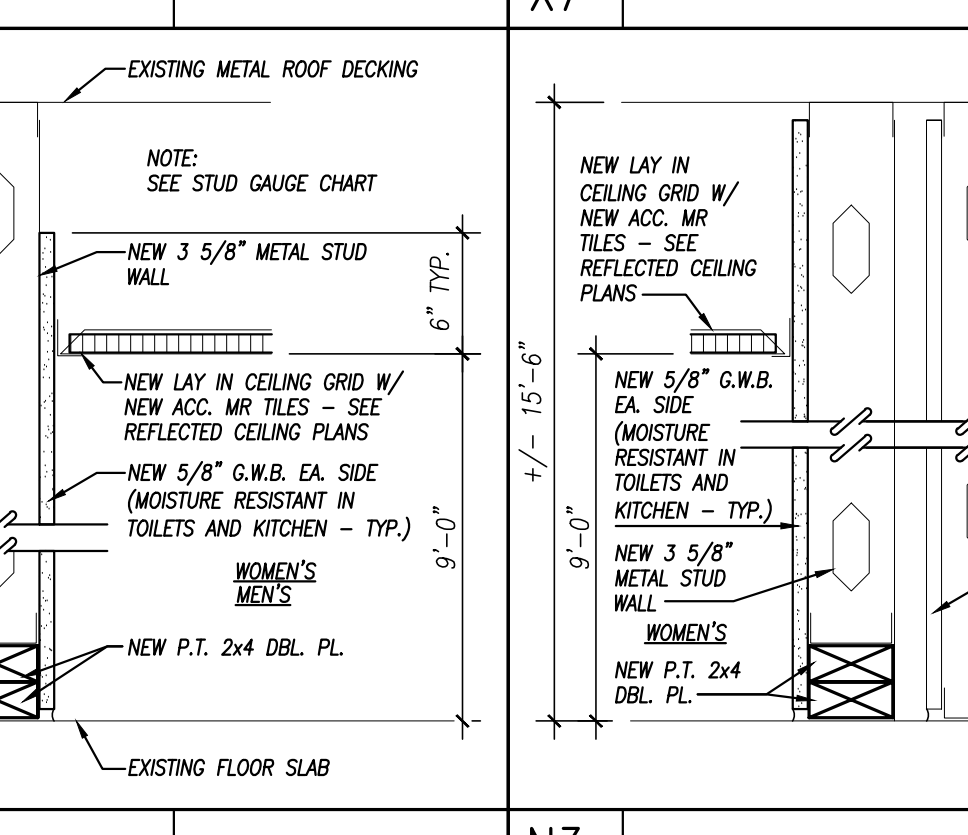
X1 EXISTING MASONRY WALL
 FIRE RATING = N/A



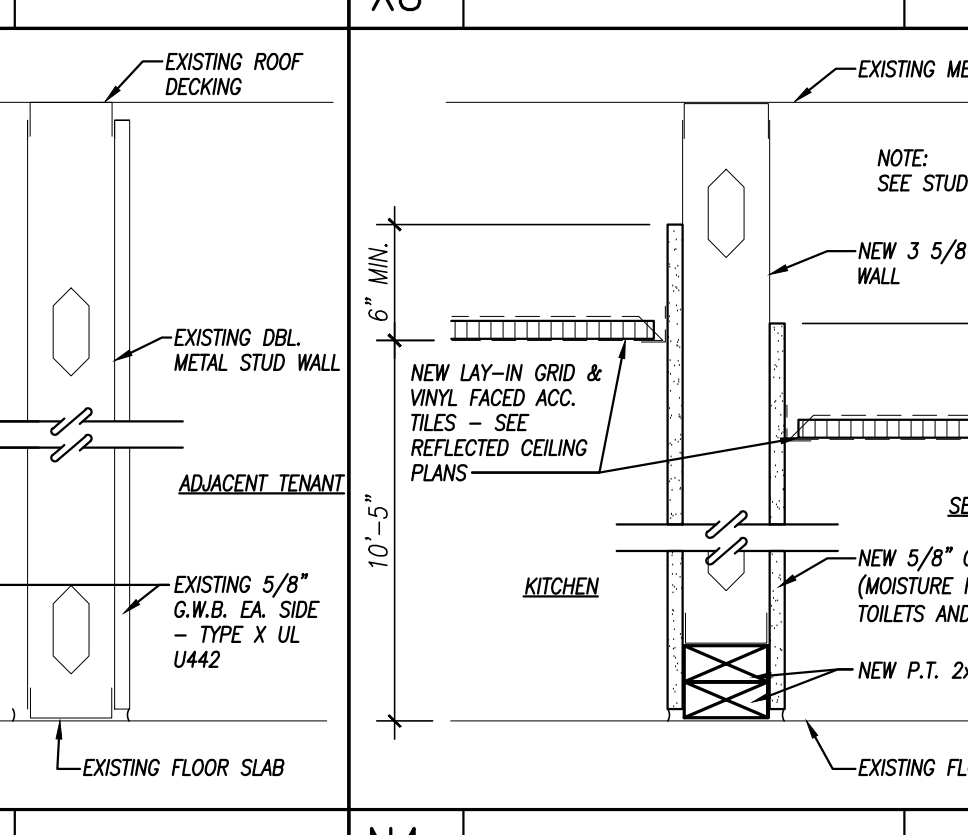
X2 EXISTING MASONRY WALL
 FIRE RATING = N/A



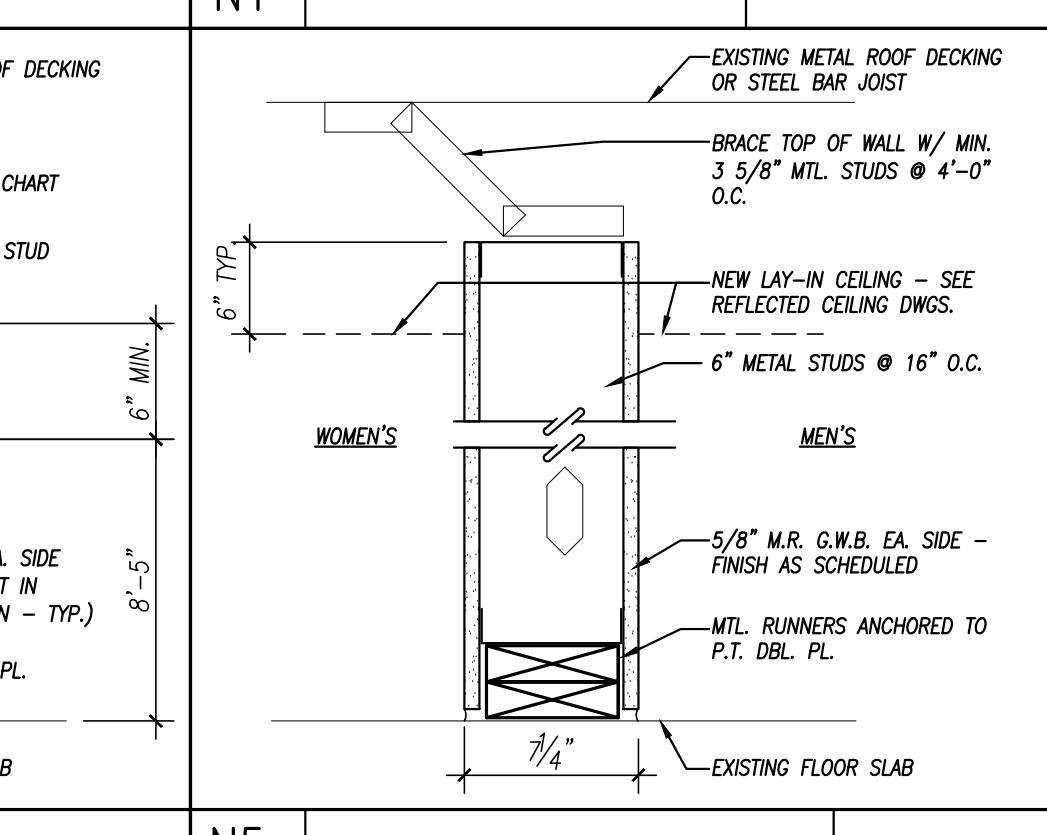
X3 EXISTING MASONRY WALL
 FIRE RATING = N/A



X6 EXISTING METAL STUD WALL
 FIRE RATING = 2HR.



X7 EXISTING METAL STUD WALL
 FIRE RATING = 2HR.



X8 EXISTING METAL STUD WALL
 FIRE RATING = 1HR.

12 WALL TYPE DETAILS
 A-5 SCALE: 1 1/2" = 1'-0"

N1-N5 NEW METAL STUD INTERIOR WALL
 FIRE RATING = N/A

METAL STUD GAUGE - SPACING - HEIGHT
 METAL STUD GAUGE TO BE A MINIMUM OF 25 GAUGE / 3 5/8" @ 16" O.C. FOR NON-LOAD BEARING WALL W/ 5/8" G.W.B. THE MAXIMUM UN-BRACED HEIGHT / SPACING FOR NON-BEARING 25ga METAL STUDS IS AS FOLLOWS
 12" O.C. = 14'-4"
 16" O.C. = 13'-0"
 24" O.C. = 11'-5"
 IF THE UNBRACED WALL HEIGHT EXCEEDS THE MAXIMUM HEIGHT FOR STUD SPACING, BRACE THE WALL AT THE MAXIMUM UNBRACED HEIGHT AT 45° TO THE STRUCTURE ABOVE AT 4'-0" O.C. AND ATTACHED WITH A MINIMUM OF (3) SCREWS TO THE FACE OF THE WALL AT EACH STUD. DIAGONAL FRAMING MEMBERS UP TO 8'-0" LONG, WILL HAVE A BRIDGING TRACK AT THE MID POINT ACROSS THE MEMBERS. FOR WALLS EXCEEDING 16'-0" A.F.F. USE 6" 20ga. METAL STUDS UP TO 22'-0" A.F.F.

ISSUE DATE:
 REVISIONS:

SCHEDULES, WALL TYPES AND DETAILS