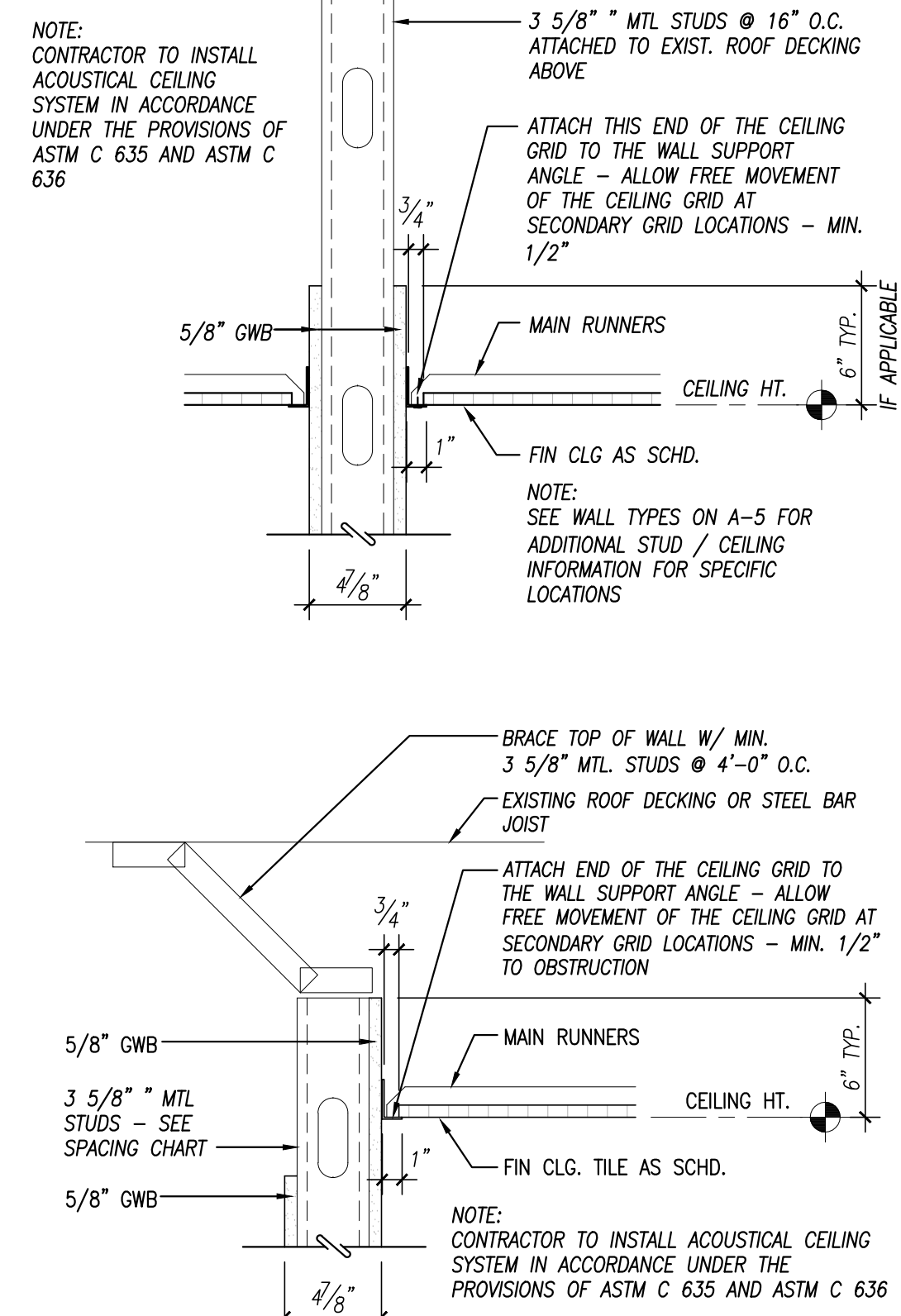
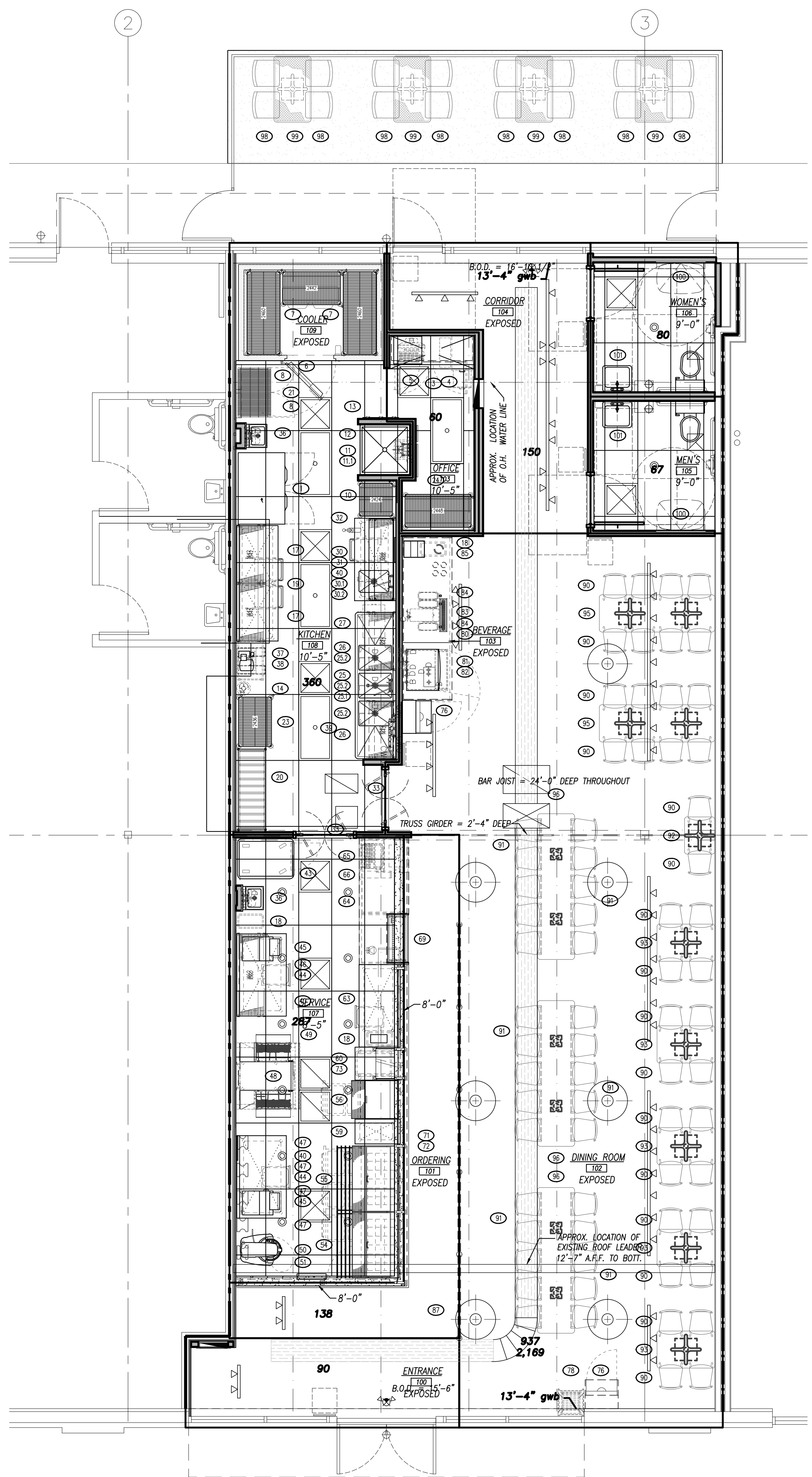


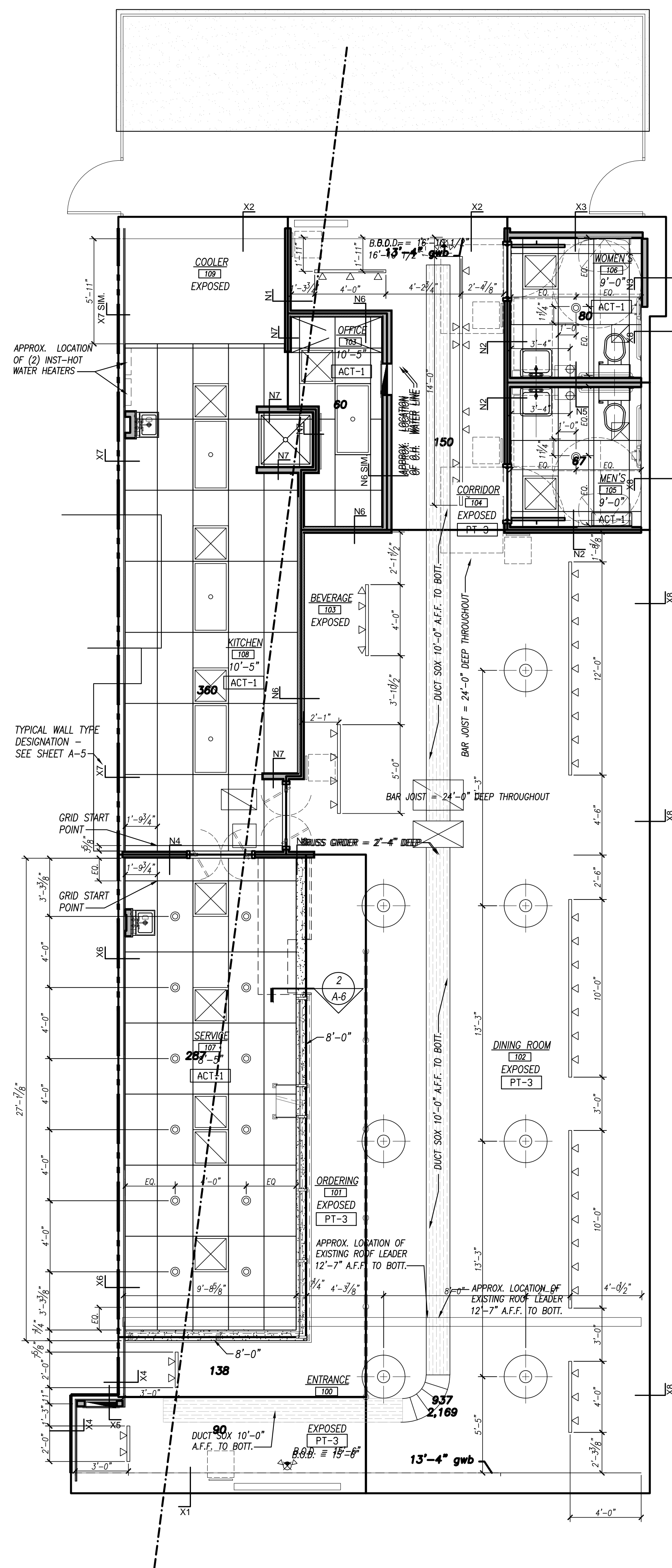
ISSUE DATE:

REVISIONS:



REFLECTED CEILING LEGEND			
	NEW 2' x 4' LAY-IN CEILING GRID & TILE		SUSPENDED PENDANT LIGHTING
	NEW MECHANICAL DIFFUSERS		RECESSED LED DOWN LIGHTING
	16" NEW MECHANICAL SOX		2' x 4' LIGHT FIXTURES (LAY-IN)
	EXHAUST FAN		EXIT LIGHT W/ EMERGENCY LIGHTING
			SUSPENDED TRACK LIGHTING
			SURFACE MOUNTED WALL LIGHT
			EMERGENCY WALL PACK LIGHTING

NOTES:
1. REFER TO ELECTRICAL DRAWINGS FOR ADDITIONAL ELECTRICAL INFORMATION.
2. REFER TO MECHANICAL DRAWINGS FOR ADDITIONAL MECHANICAL INFORMATION.



PLAN NOTES:
1. SEE SHEET A-3 FOR FINISH SCHEDULE DENOTED BY [7-7].
2. SEE SHEET A-5 FOR WALL TYPE DETAILS.

SAMPLE ONLY

COPYRIGHT BY CREATIVE CONCEPTS AND DESIGN, INC.