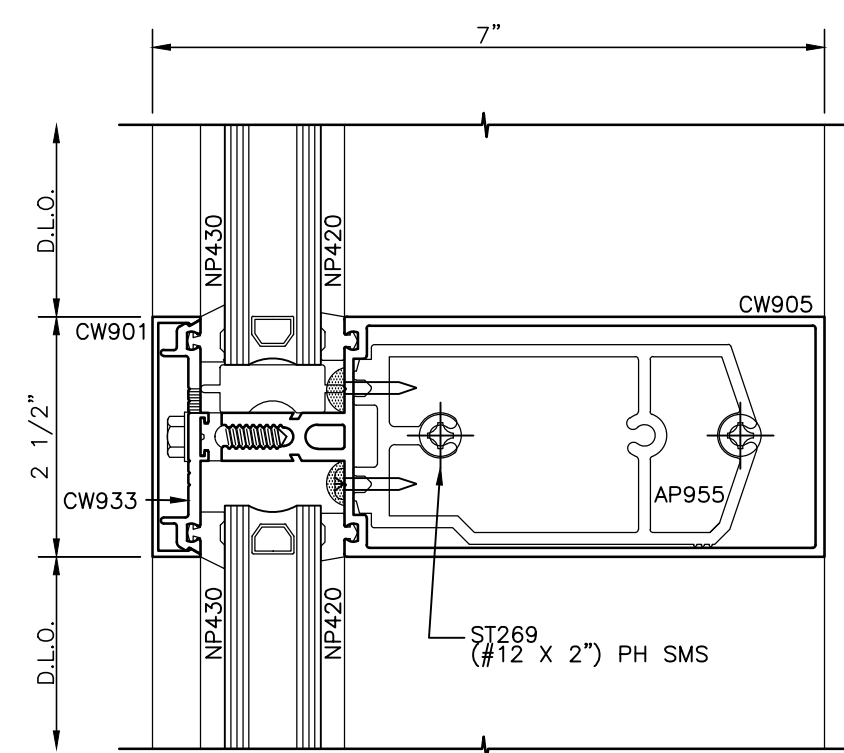


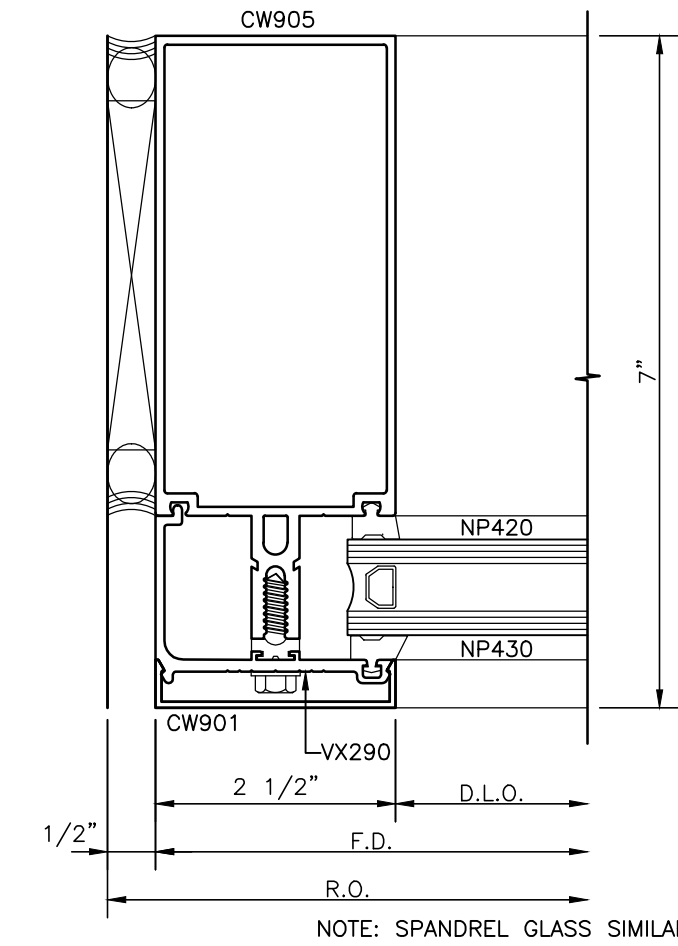
1 HEAD

2 SILL



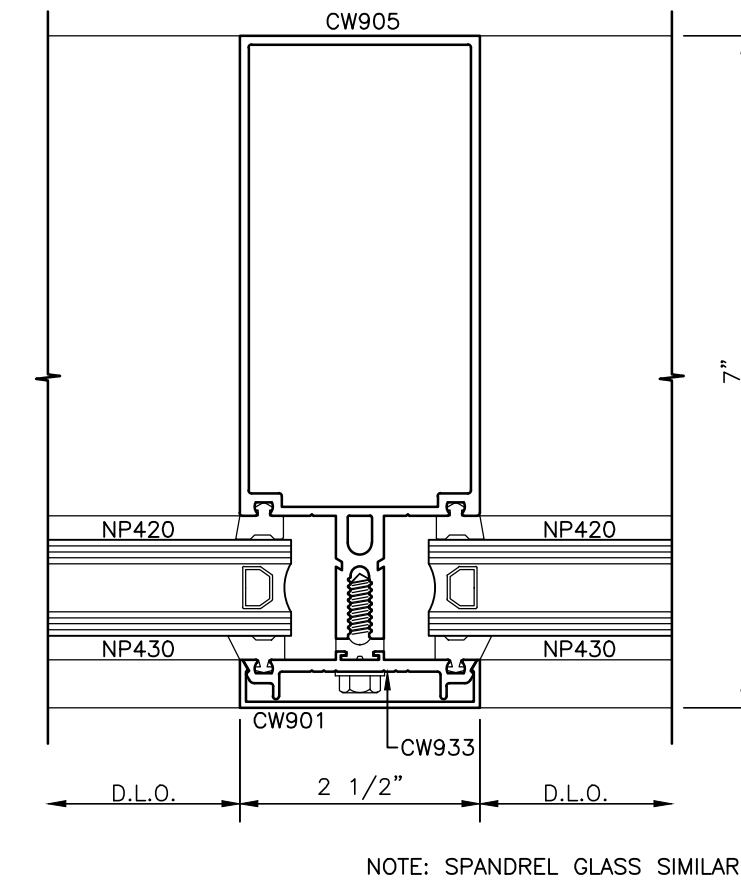
3 HORIZ. MULLION

NOTE: SPANDREL GLASS SIMILAR



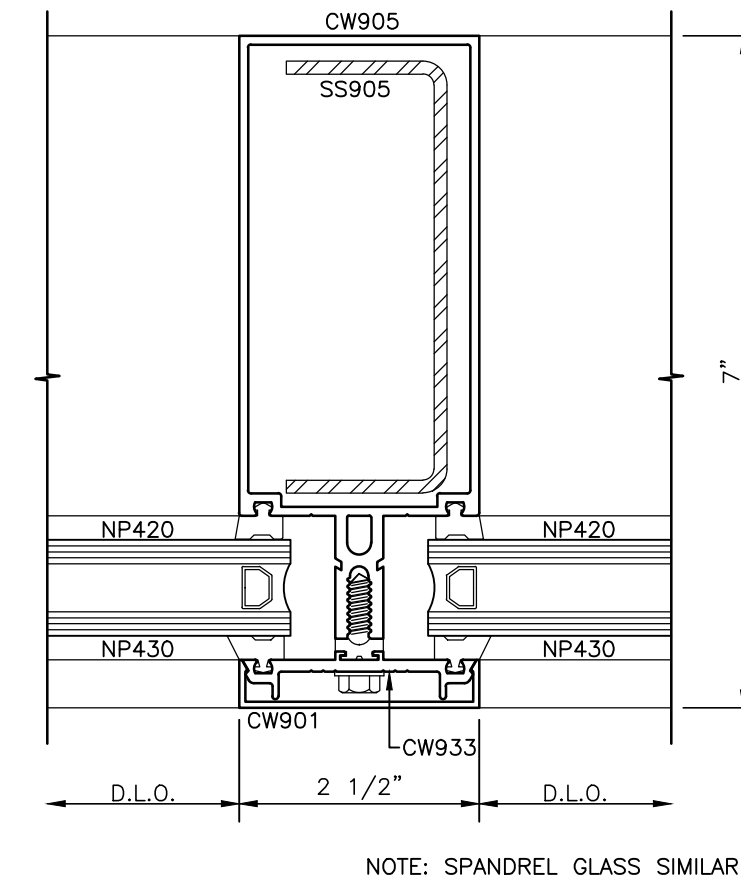
4 JAMB

NOTE: SPANDREL GLASS SIMILAR



5 VERT. MULLION

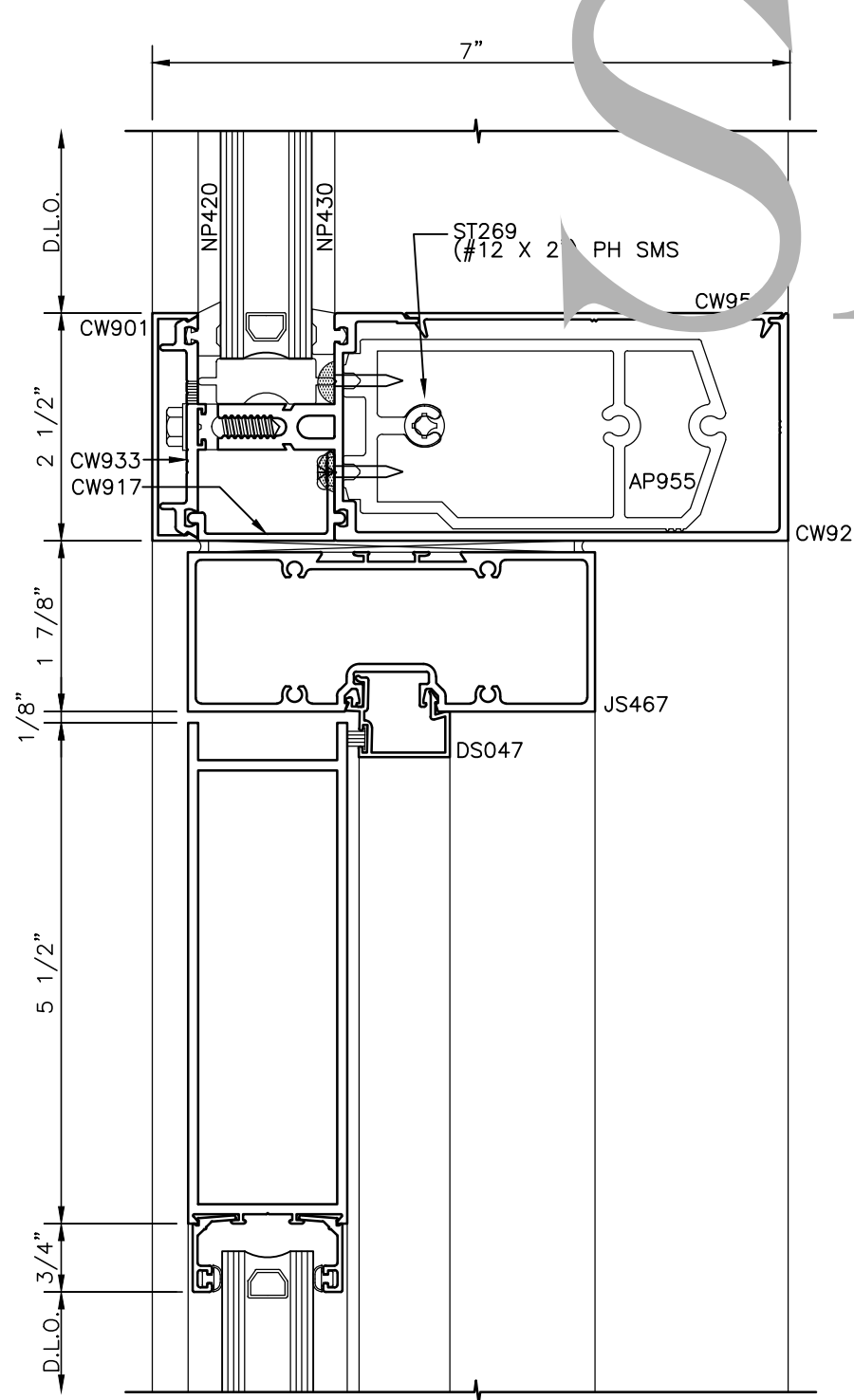
NOTE: SPANDREL GLASS SIMILAR



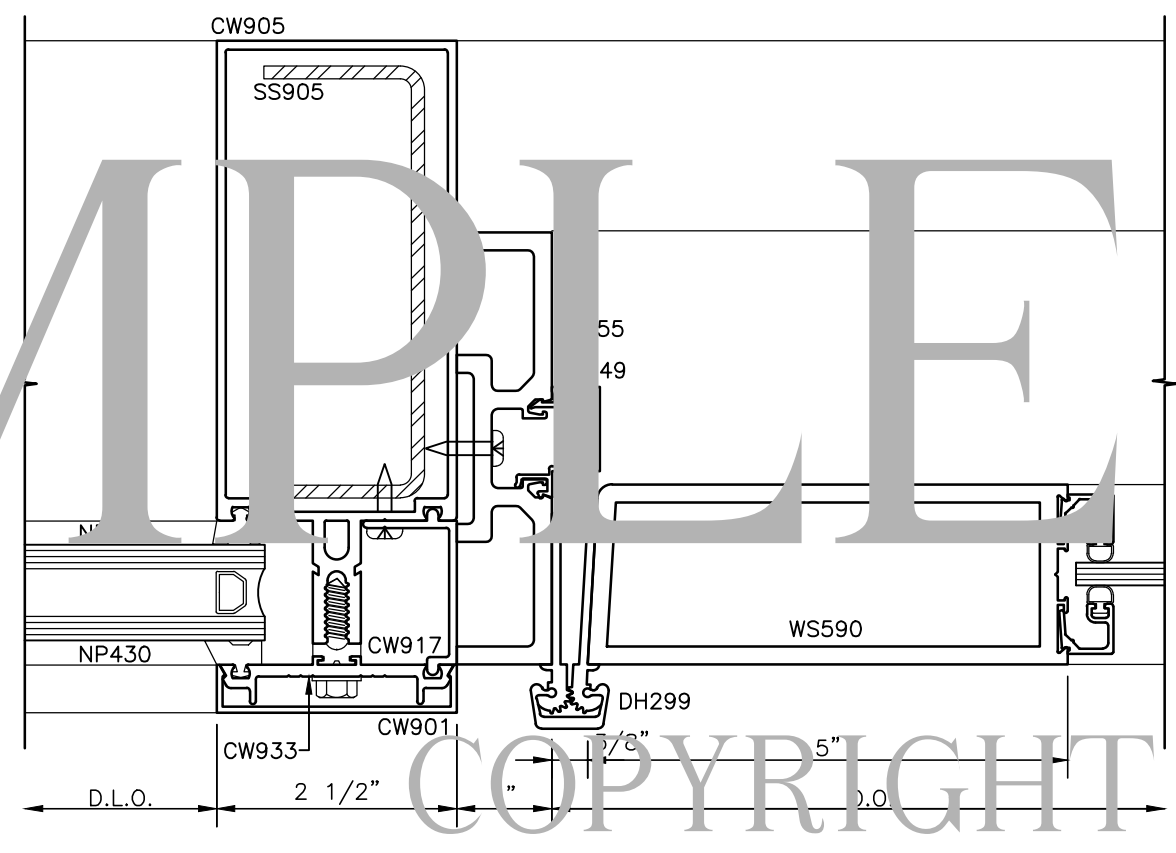
6 VERT. MULLION

NOTE: SPANDREL GLASS SIMILAR

SILL PANS ARE CONTRARY TO US ALUMINUM INSTALLATION INSTRUCTIONS.

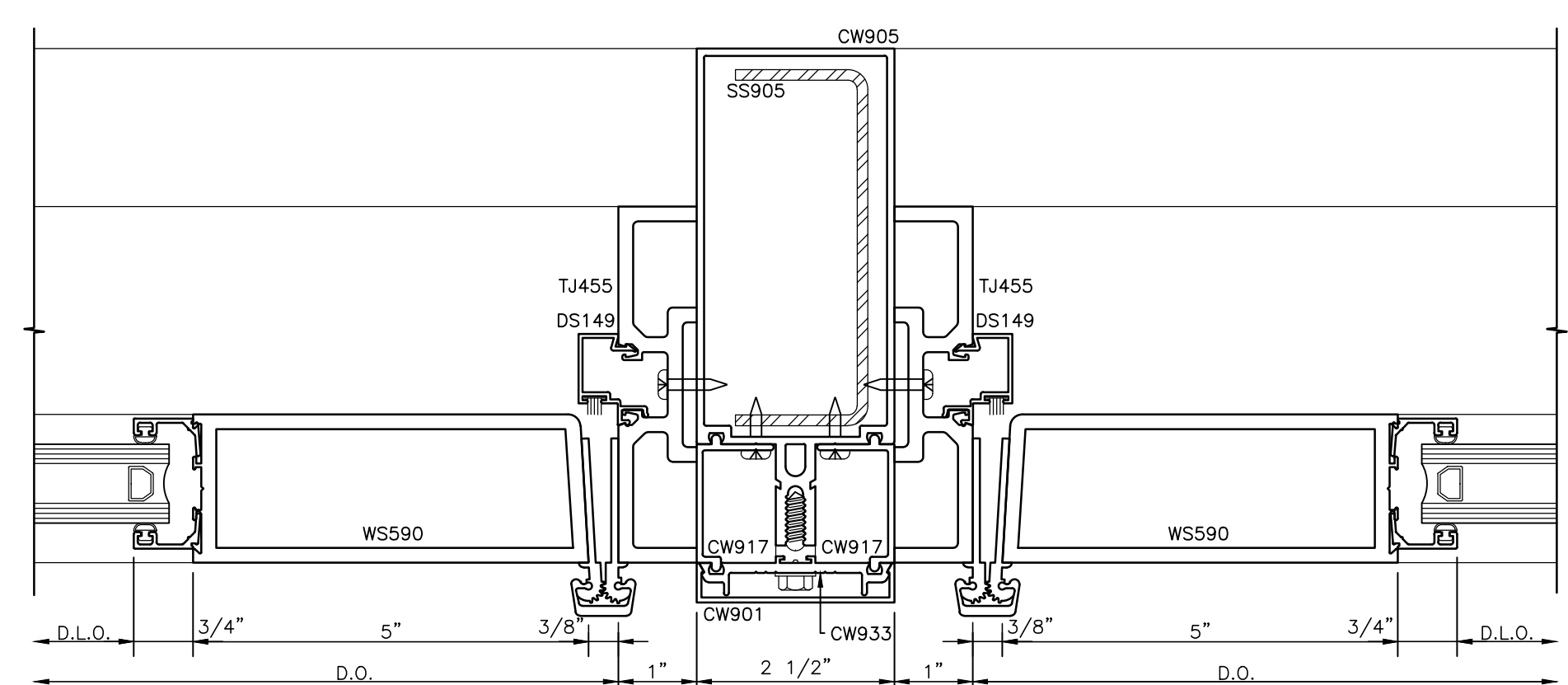


7 HEAD

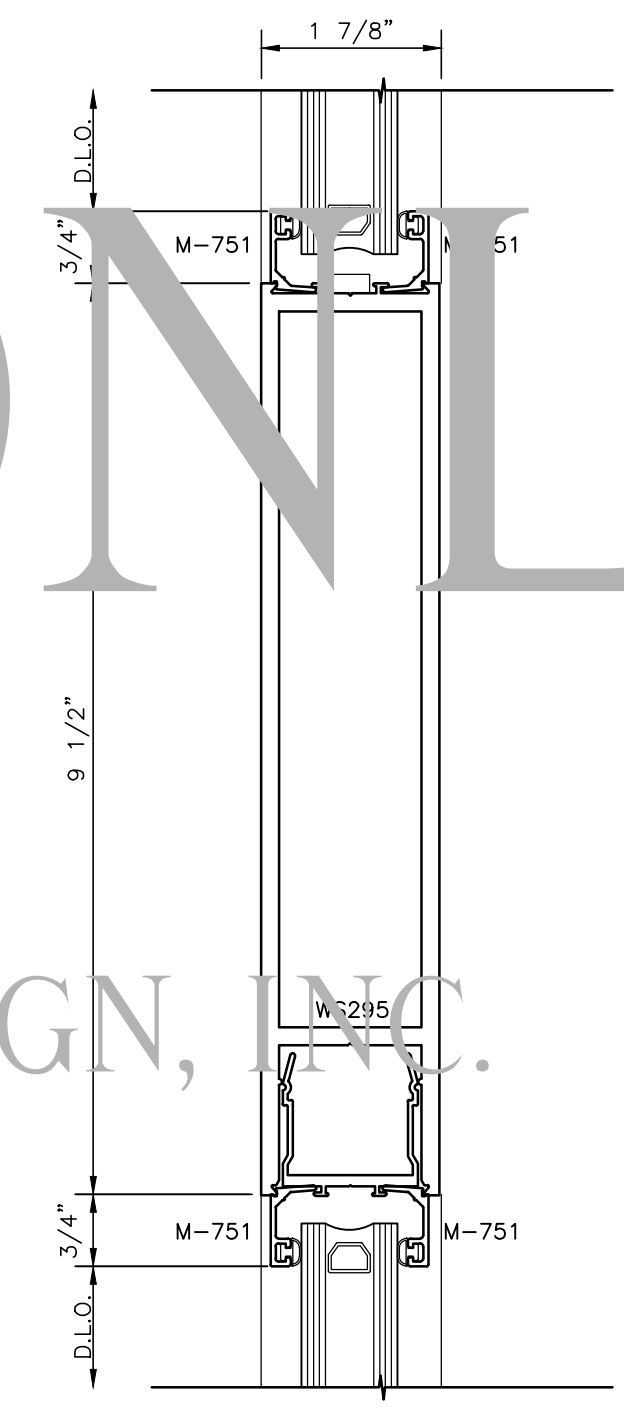


8 JAMB

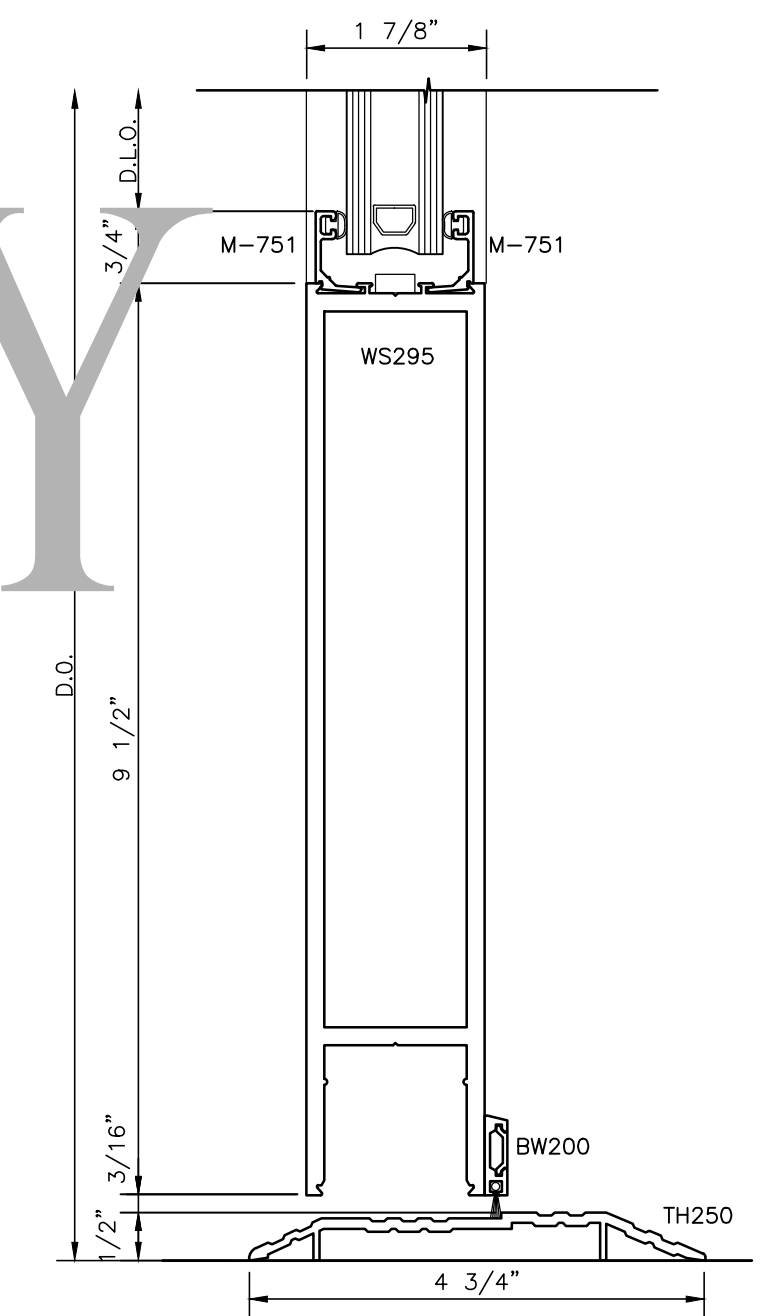
COPYRIGHT BY CREATIVE CONCEPTS AND DESIGN, INC.



9 JAMB



10 MUNTIN



11 THRESHOLD

SAMPLE ONLY

PROJECT

Project Name:
COMPREHENSIVE HIGH SCHOOL & TECHNOLOGY CENTER

Location:

Project No.:

Attention:

ARCHITECT

Architect:

Attention:

Architect Project No.:

CONTRACTOR

Contractor:

Attention:

SHEET TITLE

CURTAIN WALL 3250 SERIES DETAILS

REVISIONS

- 1.
- 2.
- 3.

DATE ISSUED

10.23.08

SHEET NO.

1 CURTAIN WALL SERIES 3250 DETAILS
 SD-9 6" = 1'-0"

SD-9