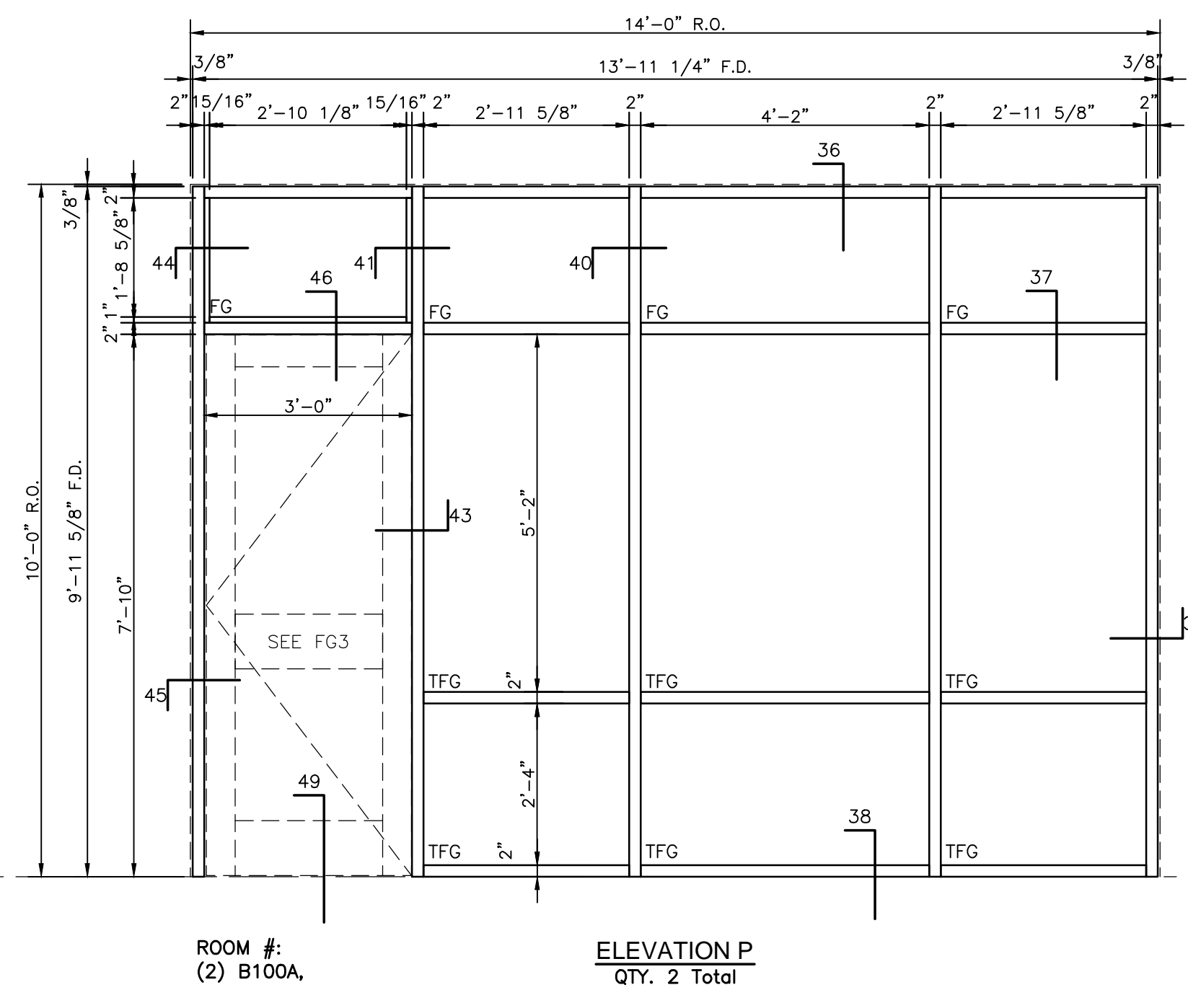


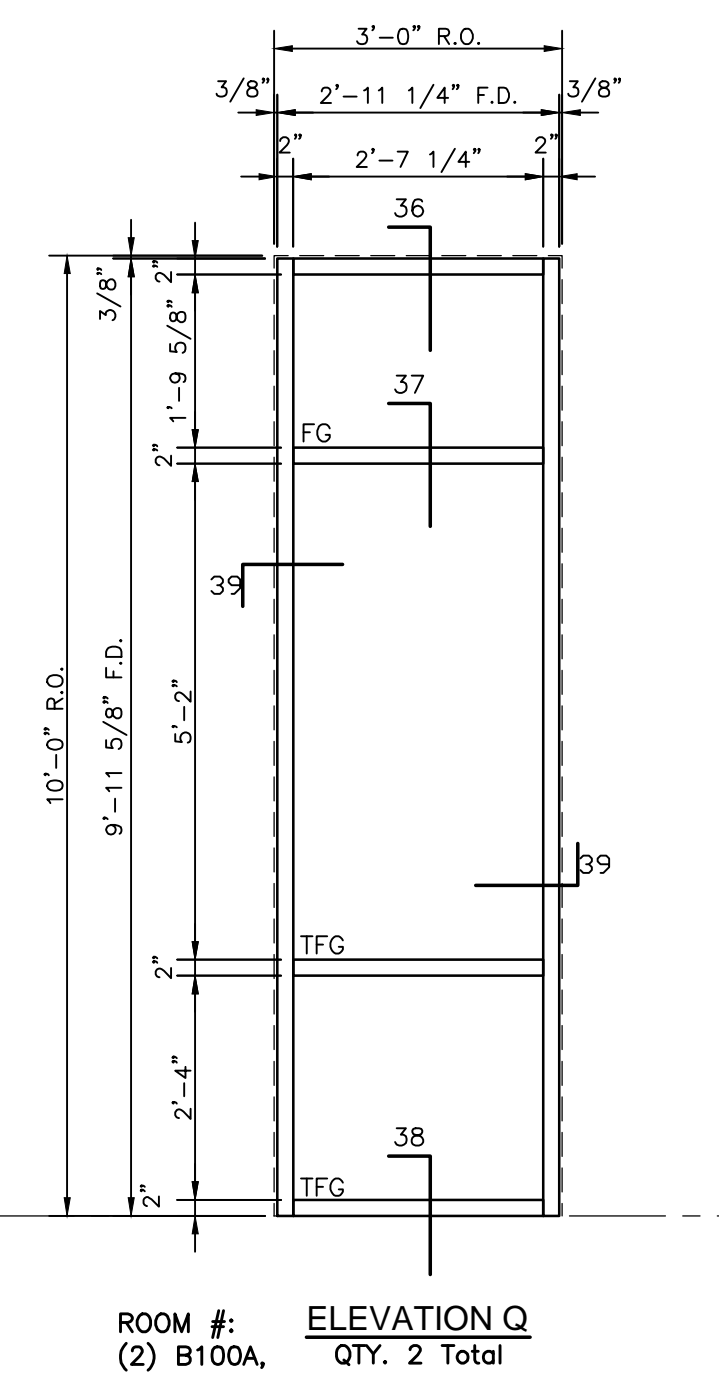
ROOM #:
B100
E101, E101A

ELEVATION N
QTY. 3 Total



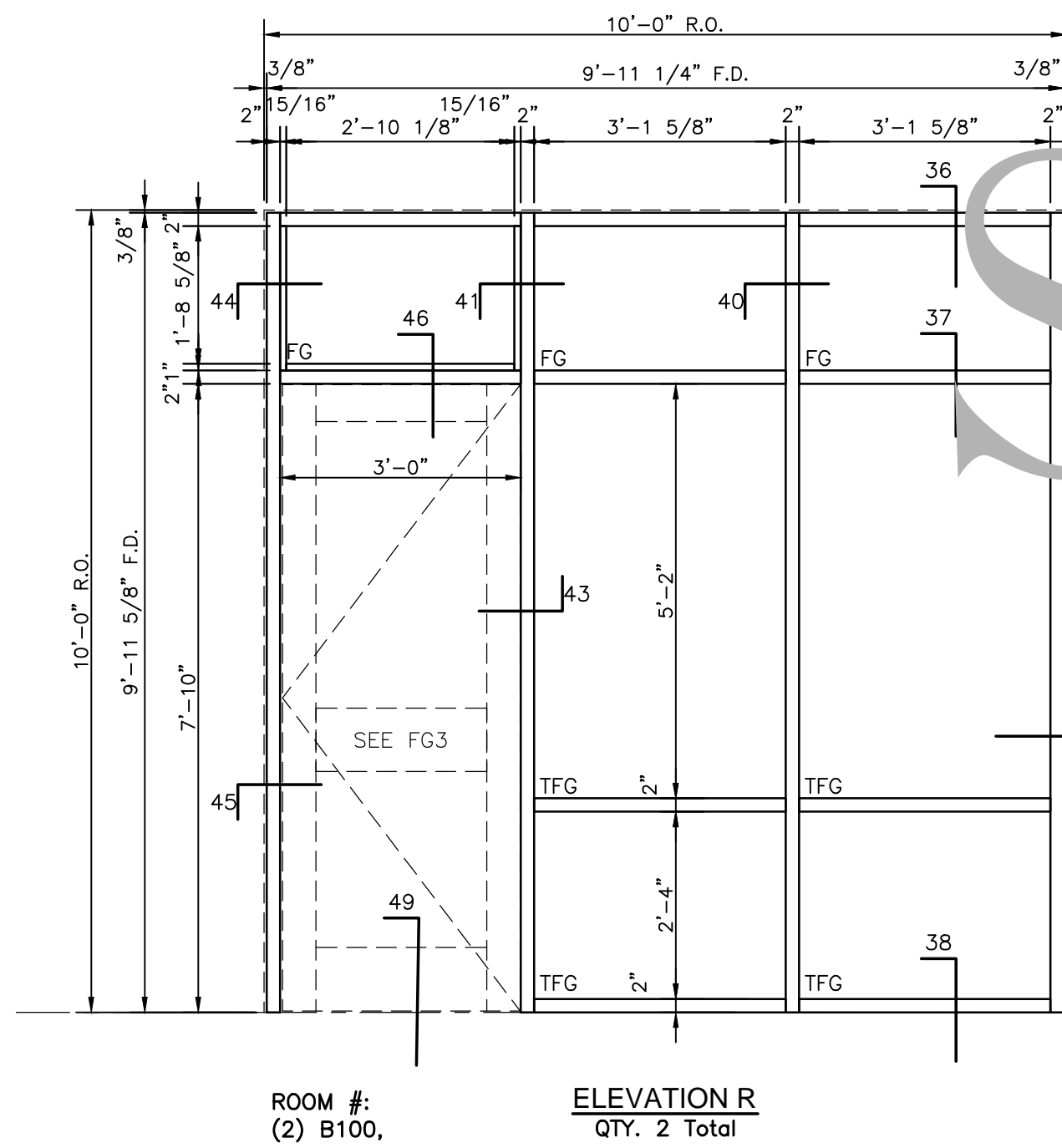
ROOM #:
(2) B100A,

ELEVATION P
QTY. 2 Total



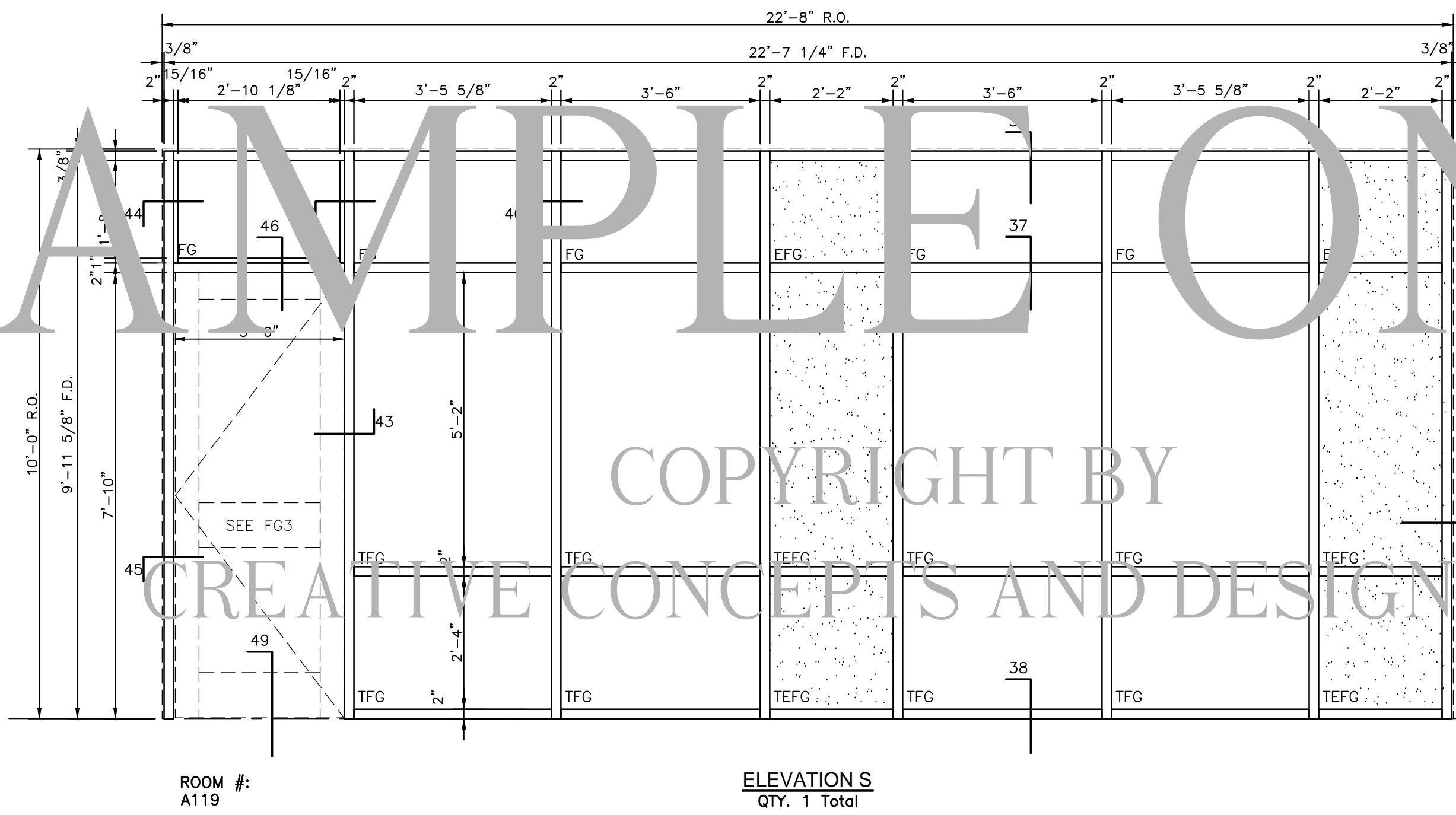
ROOM #:
(2) B100A,

ELEVATION Q
QTY. 2 Total



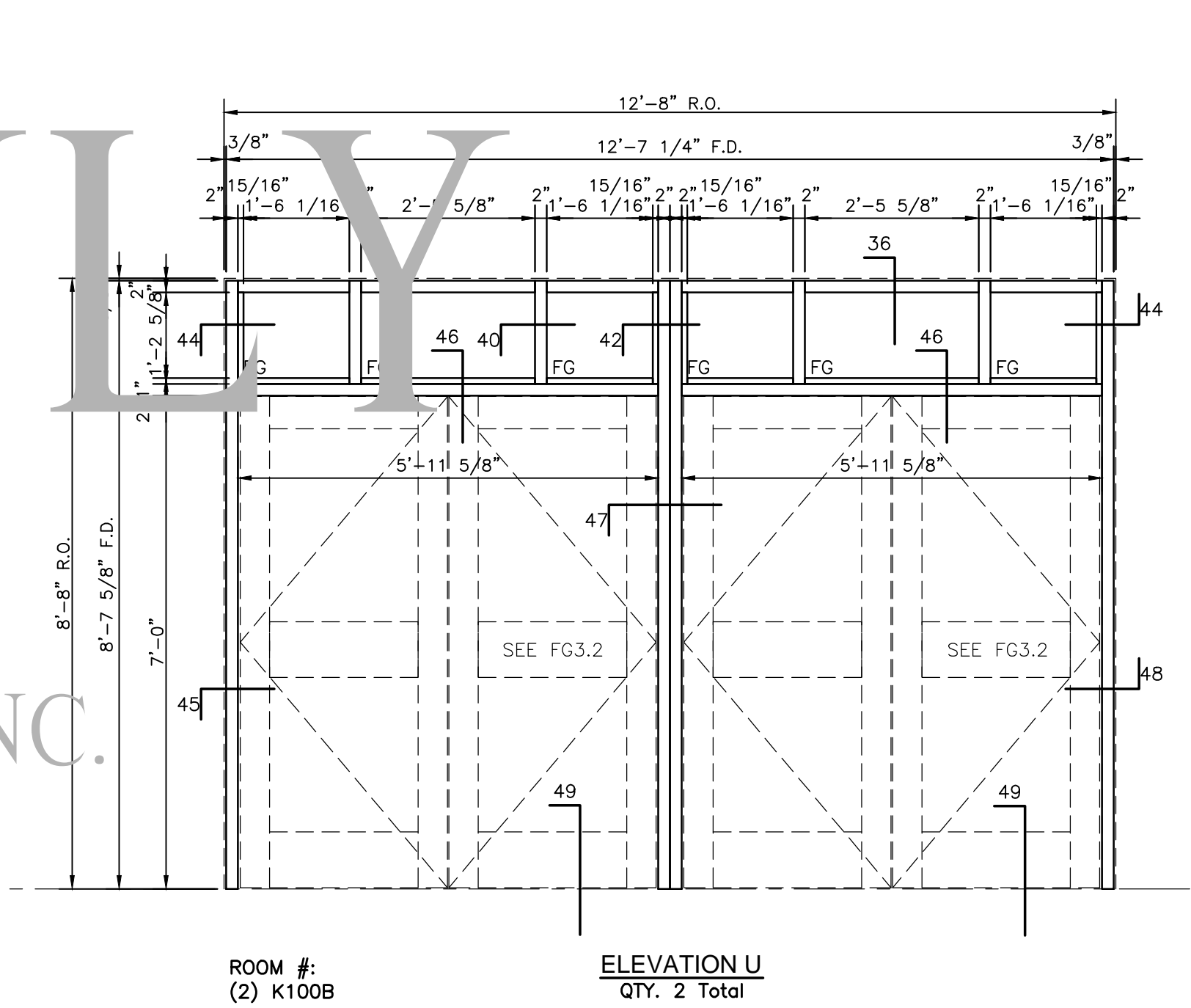
ROOM #:
(2) B100,

ELEVATION R
QTY. 2 Total



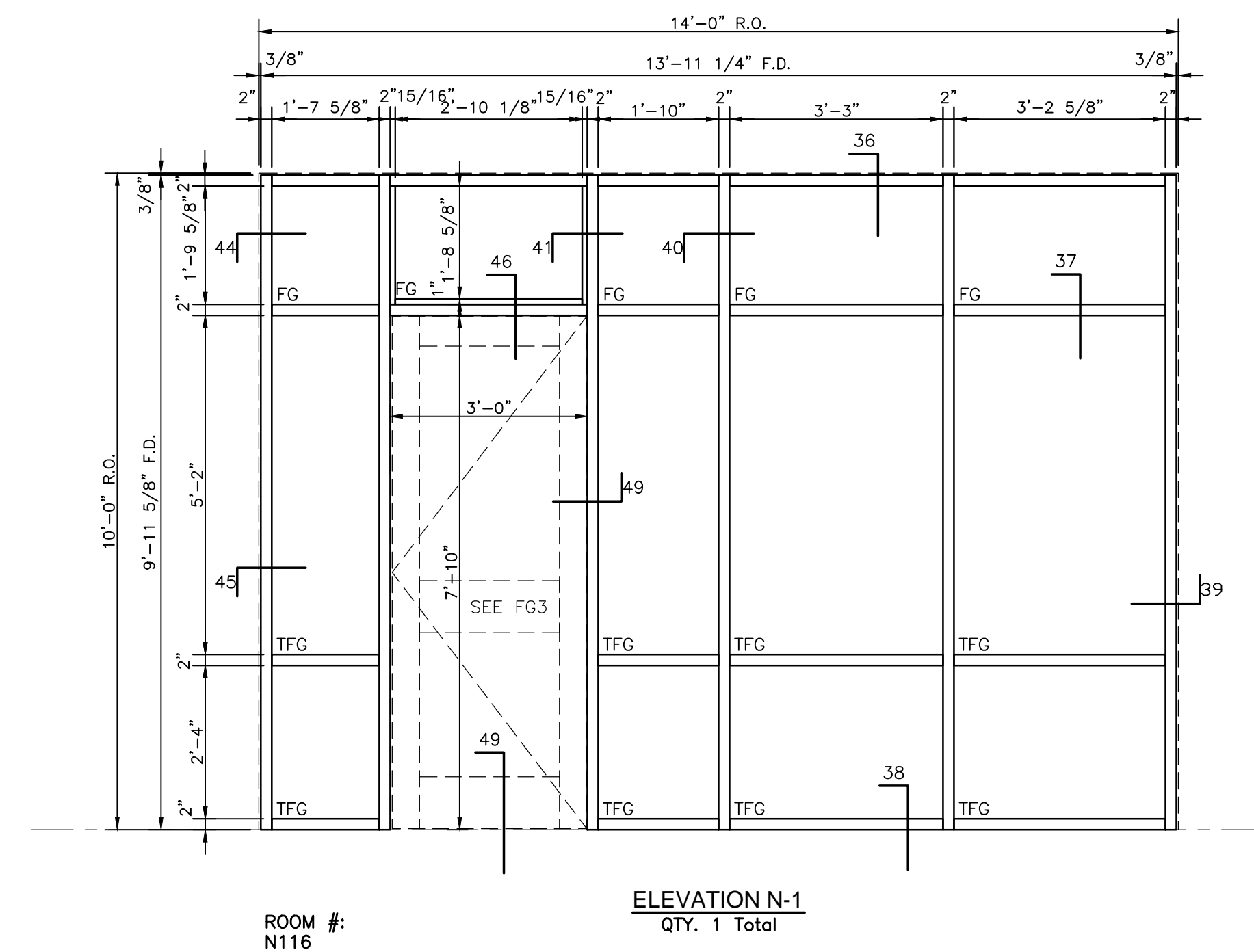
ROOM #:
A119

ELEVATION S
QTY. 1 Total



ROOM #:
(2) K100B

ELEVATION U
QTY. 2 Total



ROOM #:
N116

ELEVATION N-1
QTY. 1 Total

SAMPLE ONLY

COPYRIGHT BY
CREATIVE CONCEPTS AND DESIGN, INC.

1 STOREFRONT SERIES 450 ELEVATIONS N-S, U (INTERIOR)
SD-6 1/2" = 1'-0"

GLAZING LEGEND:	
EFG	1/4" ACID ETCHED FLOAT GLASS
EIGU	1" ACID ETCHED INSULATED GLASS UNIT
FG	1/4" CLEAR FLOAT GLASS
FRG	FIRE RATED GLASS
HIG	HIGH IMPACT GLAZING (PLASTIC)
IGU1	1" INSULATED GLASS UNIT W/ LOW-E COATING
IGU2	1" INSULATED GLASS UNIT W/ LOW-E COATING
LG	LAMINATED GLASS
SIGU	1" SPANDREL INSULATED GLASS UNIT
TSIGU	1" TEMPERED SPANDREL INSULATED GLASS UNIT
SFRG	SAFETY FIRE RATED GLASS
TEFG	1/4" TEMPERED ACID ETCHED FLOAT GLASS
TEIGU	1" TEMPERED ACID ETCHED INSULATED GLASS UNIT
TFG	1/4" TEMPERED FLOAT GLASS
TIGU1	1" TEMPERED INSULATED GLASS UNIT W/ LOW-E COATING
TIGU2	1" TEMPERED INSULATED GLASS UNIT W/ LOW-E COATING

HATCH LEGEND:	
SPANDREL UNIT	ACID ETCHED

PROJECT

Project Name:
COMPREHENSIVE HIGH SCHOOL & TECHNOLOGY CENTER

Location:

Project No.:

Attention:

ARCHITECT

Architect:

Attention:

Architect Project No.:

CONTRACTOR

Contractor:

Attention:

SHEET TITLE

**INTERIOR
STOREFRONT
450 FRAME
ELEVATIONS**

REVISIONS

- 1.
- 2.
- 3.

DATE ISSUED

10.23.08

SHEET NO.

SD-6

12 OF 19