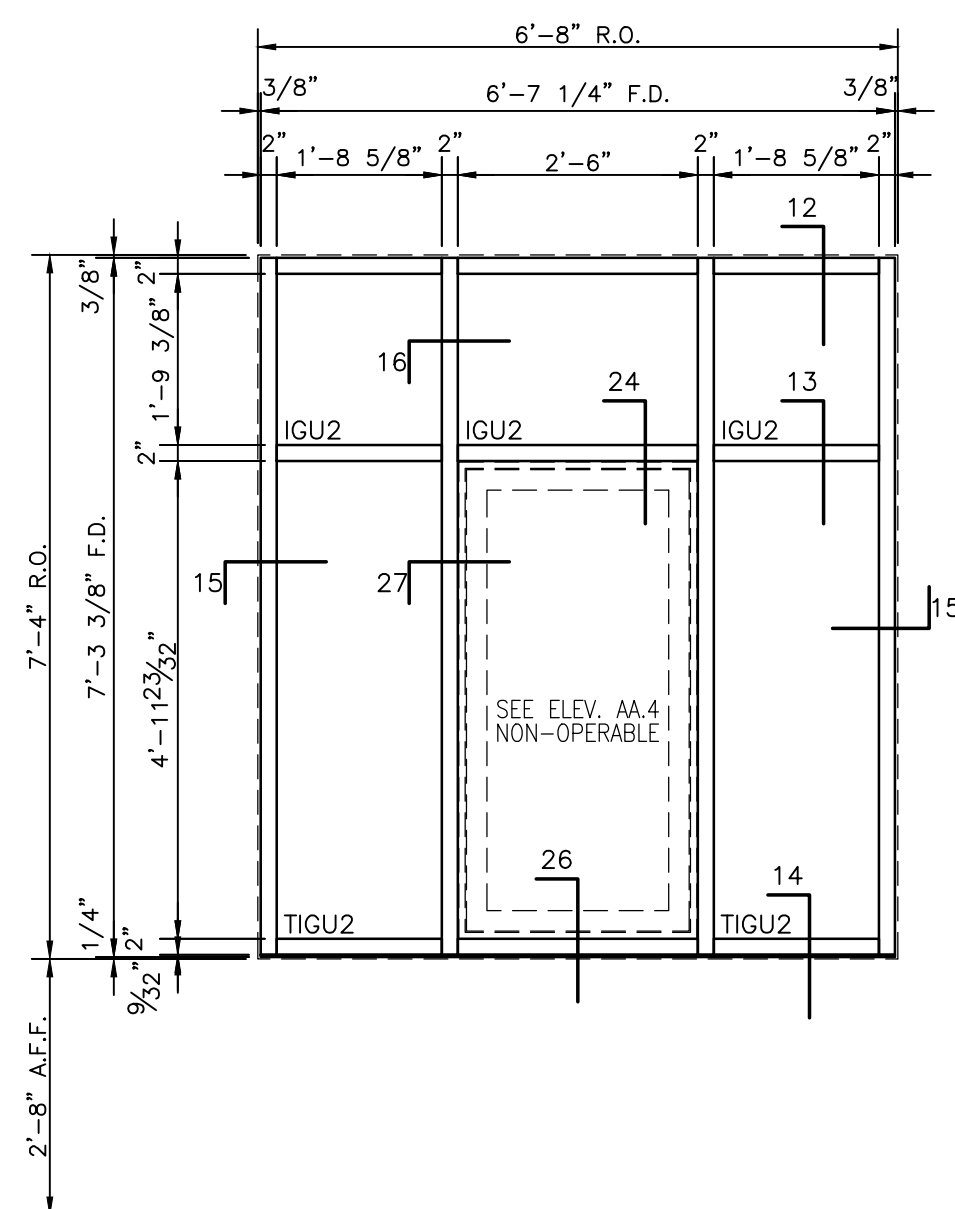


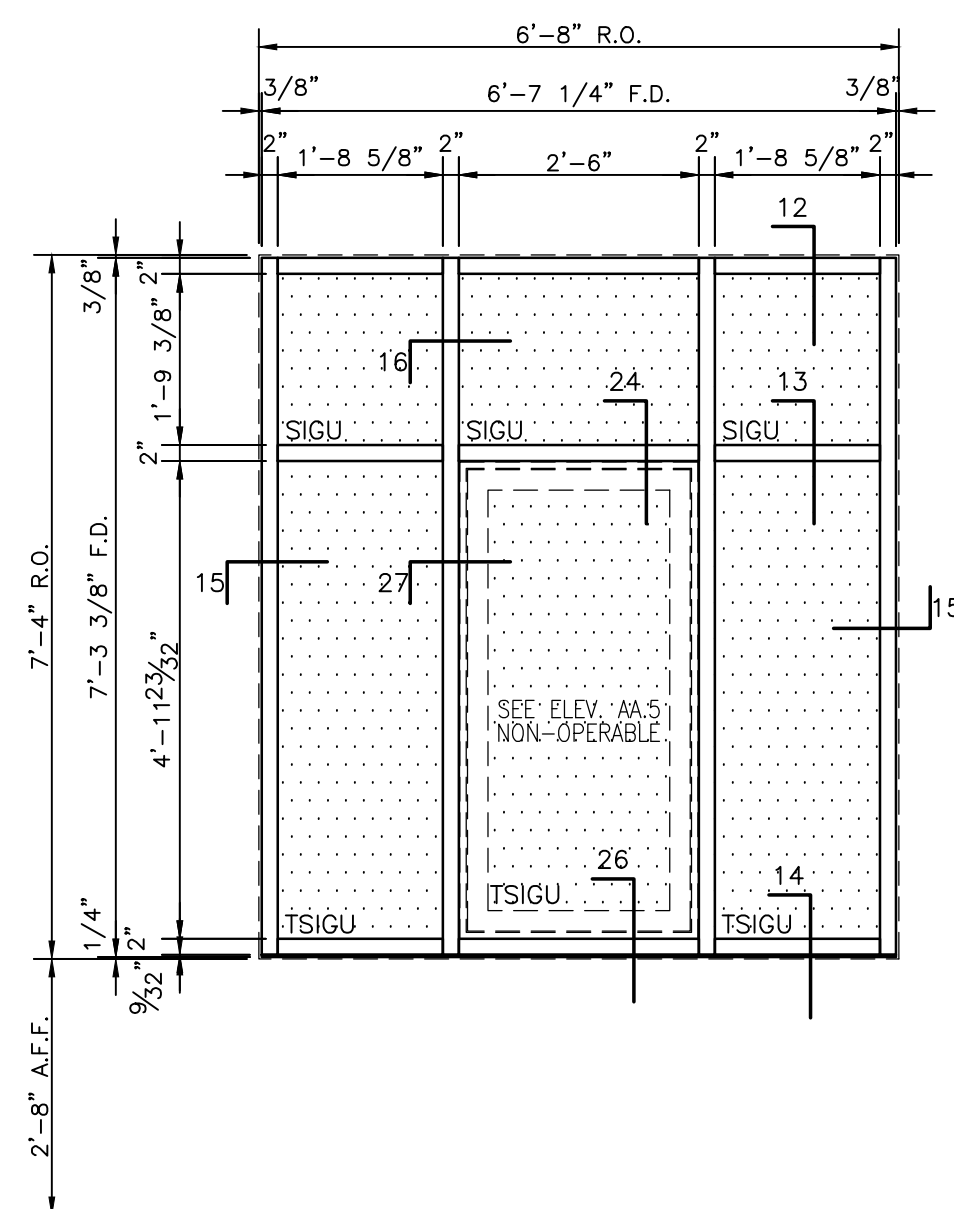
**ELEVATION D**  
QTY. 105 Total

- ROOM #:  
 (3) A103, (2) A105, (2) A113, (2) A115, A115C  
 (3) A205, (3) A207, (2) A210A, (3) A211, (4) A2115A  
 (2) B201, (2) B207  
 (2) C102, (2) C104 (2) C106, (2) C110 (2) C112 (2) C114, (2) C120  
 (2) C121C  
 C202, (2) C208, (2) C210, (2) C214, (2) C216, (2) C218, C220,  
 (2) C221, (3) C222  
 (4) D201  
 E105, E111  
 (2) E207, (3) E215  
 (2) F104, (2) F106, (2) F116, (2) F118, (2) F119 (2) F120, (2) F124  
 (2) F204, (2) F206, (2) F216, (2) F218, (2) F220, (2) F221, F222,  
 (4) F224  
 L120



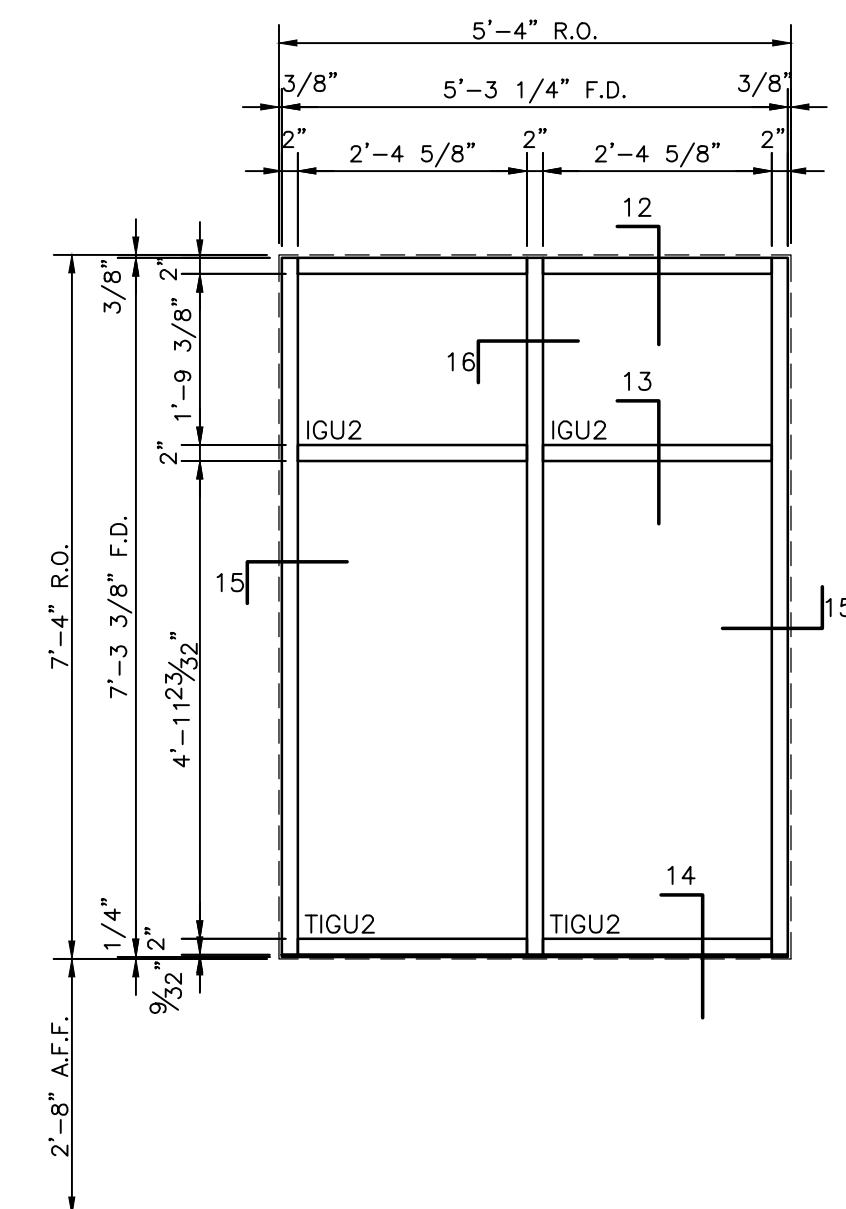
**ELEVATION D.1**  
QTY. 58 Total

- ROOM #:  
 A105A, A112G, A115, (2) A212  
 A205B, A215B, (2) A219  
 B101D, B101F, B102F, B102J  
 (2) B200  
 C206, C224  
 (4) D109  
 (8) CORR, E107  
 (2) E2-S5, (10) CORR. 2ND FL.  
 (2) E2-S6  
 F112A, (3) F112B  
 F212A, (3) F212B,  
 (2) L122  
 (3) N100 N 6



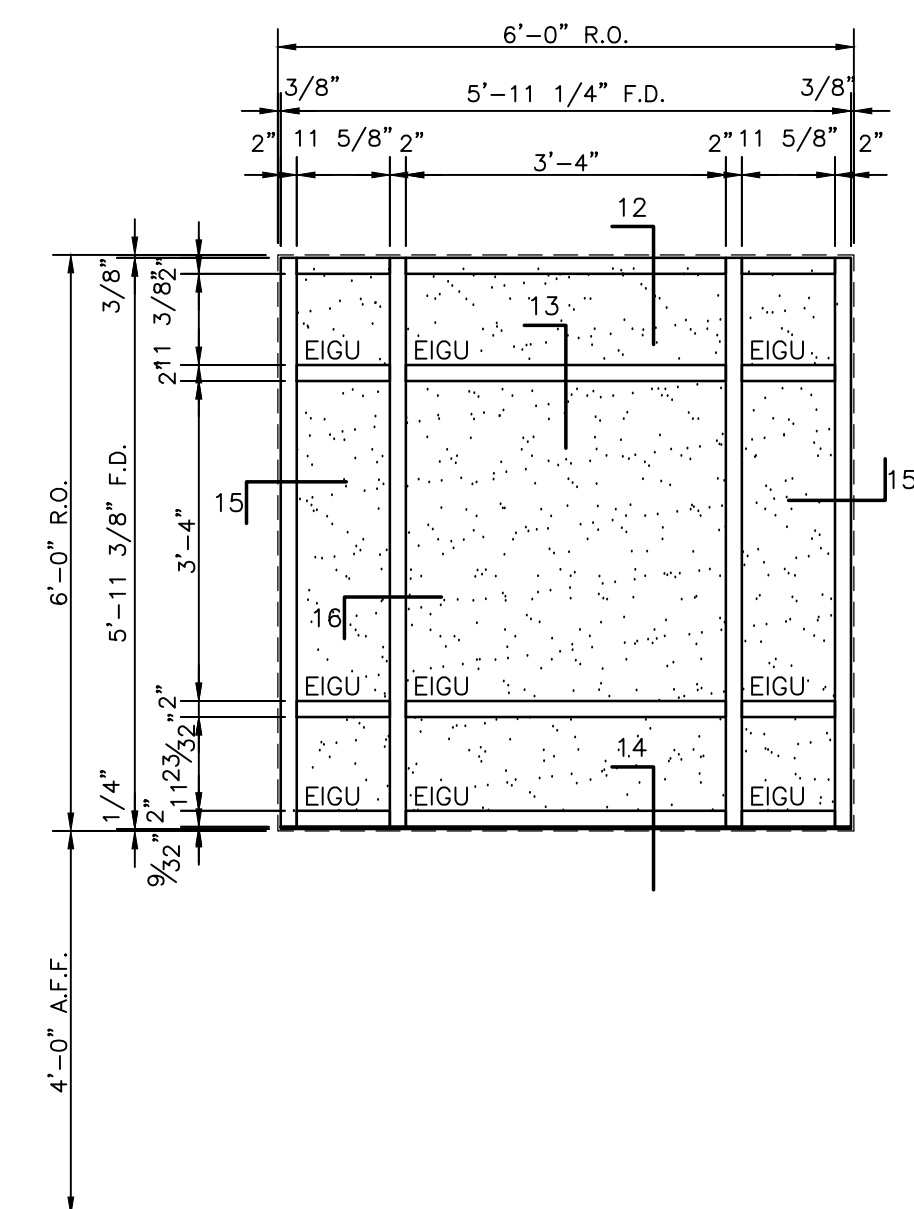
**ELEVATION D.2**  
QTY. 15 Total

- ROOM #:  
 C108A, C108B  
 C212A, C212B  
 (4) D105 HIGH, (3) D107 HIGH, (4) D109 HIGH



**ELEVATION E**  
QTY. 16 Total

- ROOM #:  
 (2) J106A, (2) J103A, (2) J104A  
 T101, T107, T108, T109  
 (2) T202, T200, T203, (2) T205

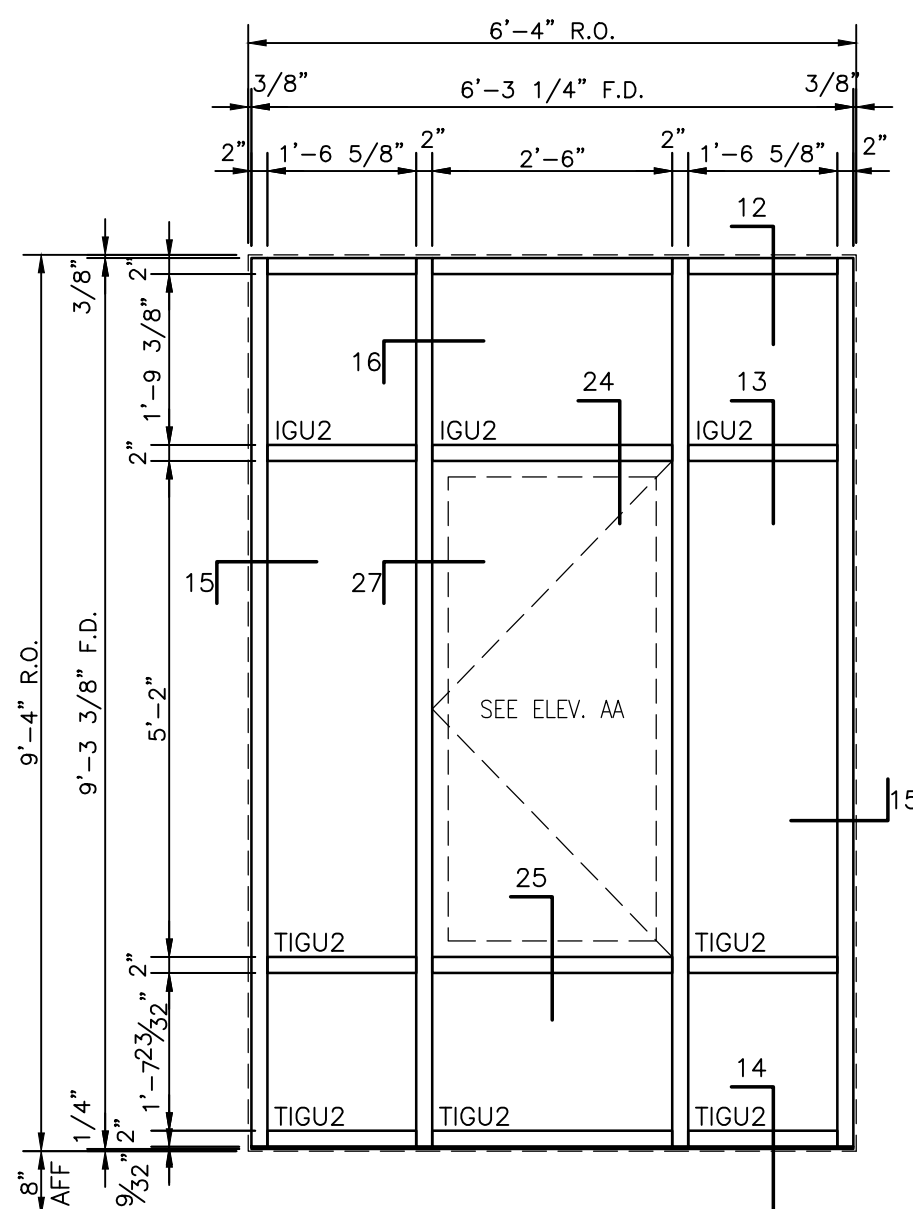


**ELEVATION F**  
QTY. 4 Total

- ROOM #:  
 (4) G101 VERY HIGH

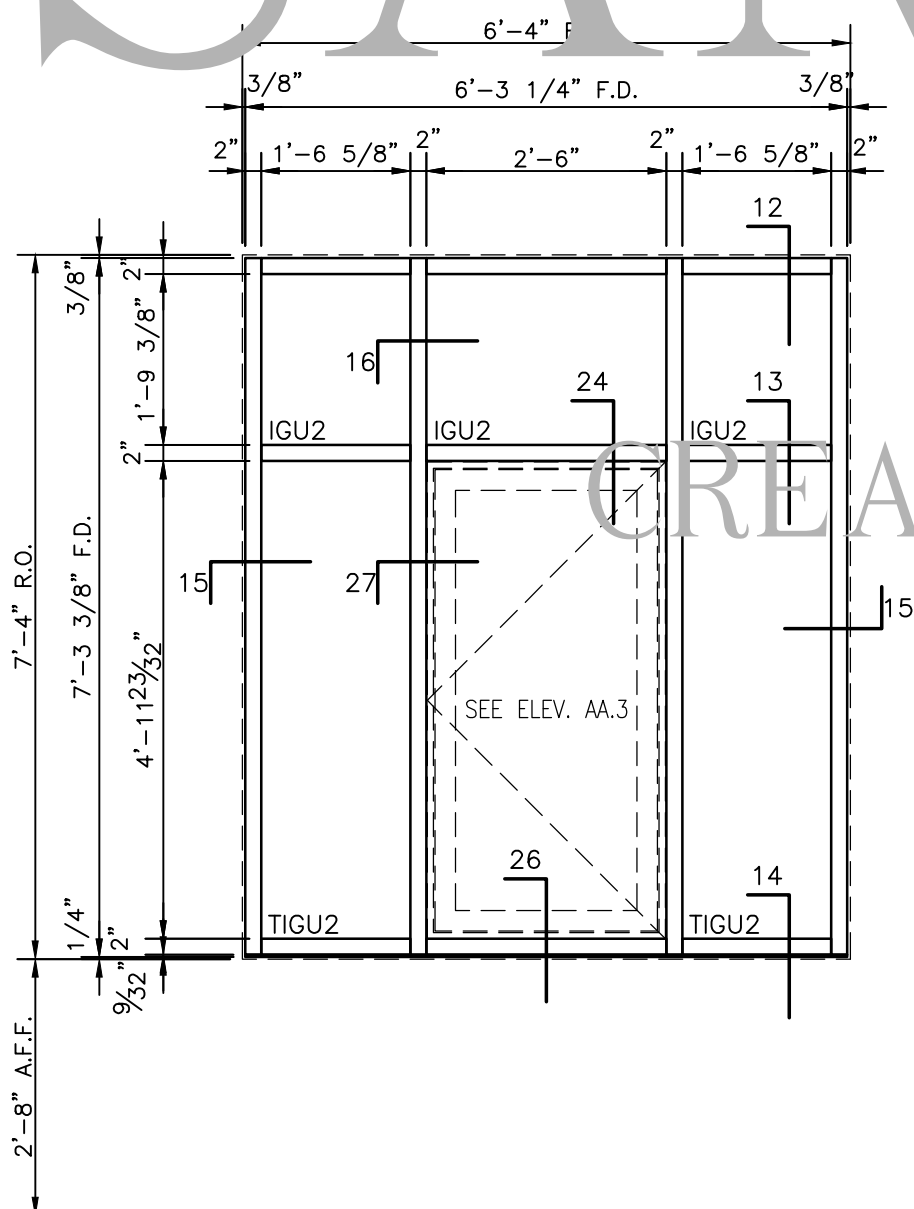
SAMPLE ONLY

COPYRIGHT BY  
CREATIVE CONCEPTS AND DESIGN INC.



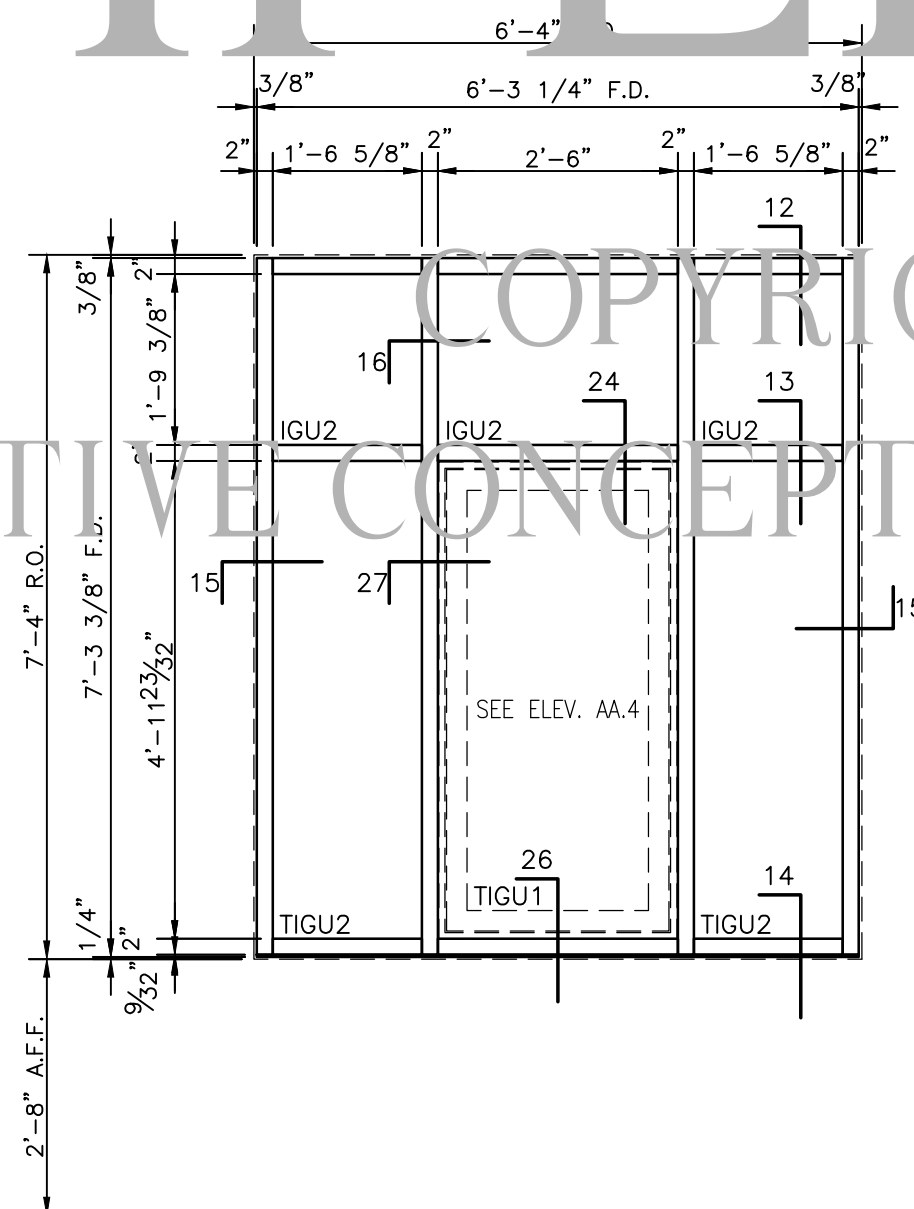
**ELEVATION G**  
QTY. 3 Total

- ROOM #:  
 A121A  
 T101, T102



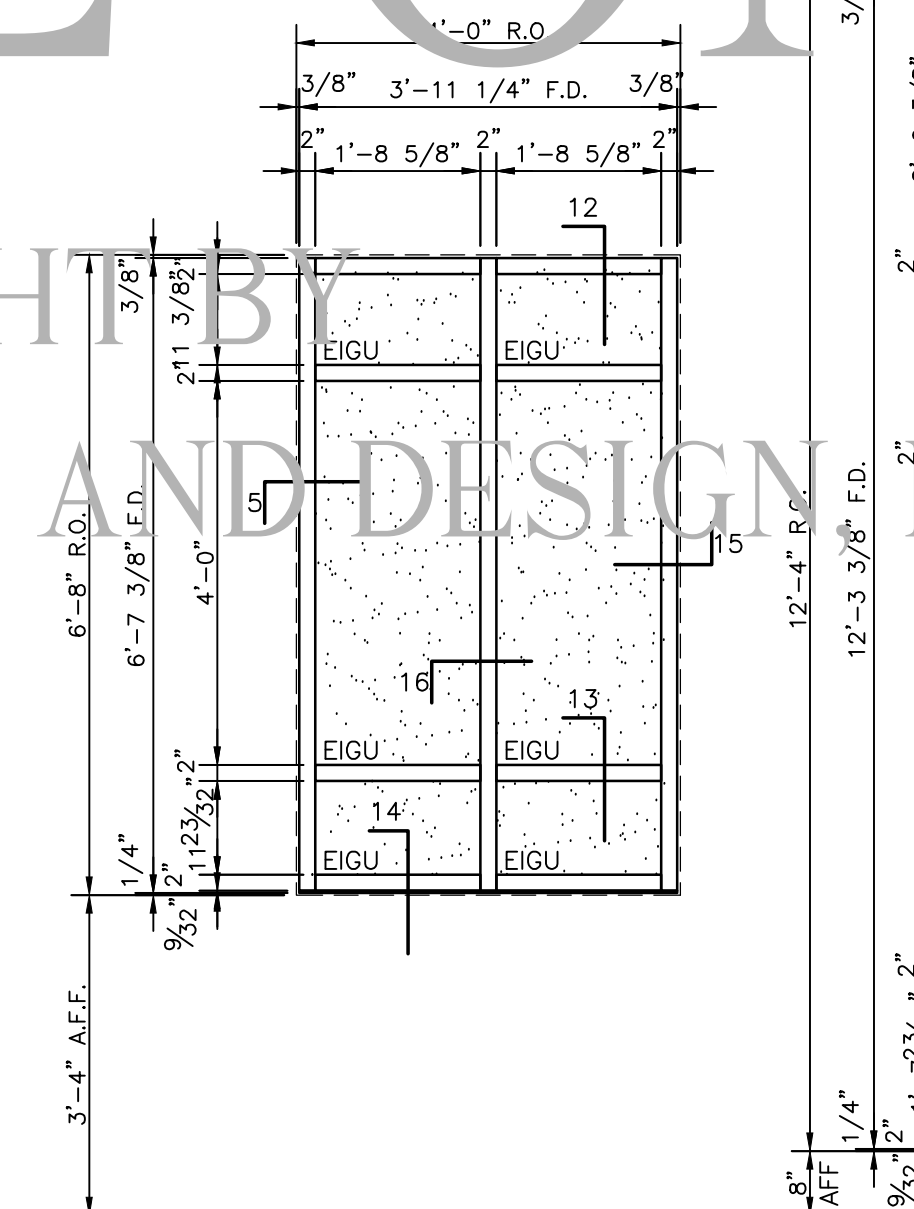
**ELEVATION H**  
QTY. 4 Total

- ROOM #:  
 (3) T202, T205



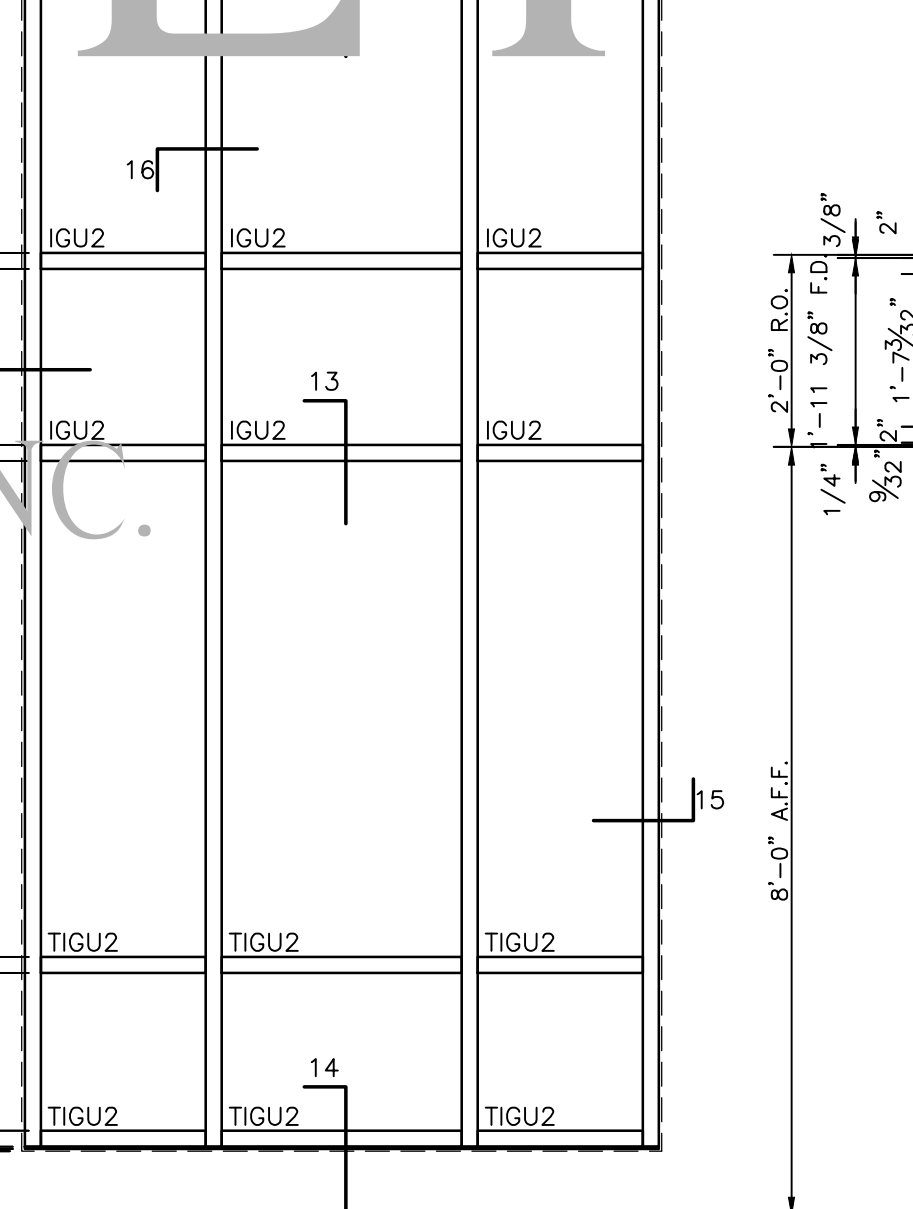
**ELEVATION H.1**  
QTY. 11 Total

- ROOM #:  
 (2) A219  
 (6) G101 HIGH  
 (3) N-100 HIGH



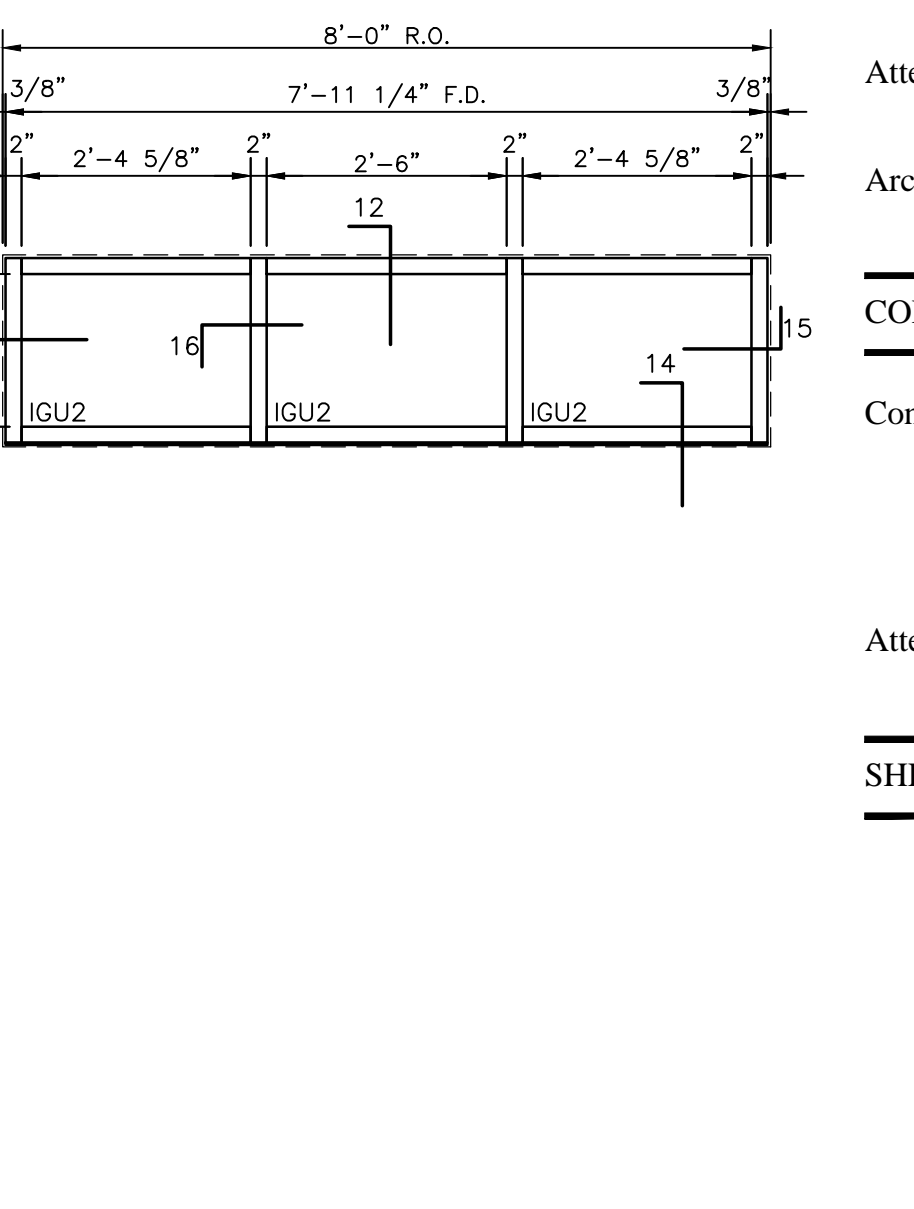
**ELEVATION J**  
QTY. 8 Total

- ROOM #:  
 (8) CUPOLA



**ELEVATION K**  
QTY. 8 Total

- ROOM #:  
 (8) N100



**ELEVATION L**  
QTY. 2 Total

- ROOM #:  
 (2) L100

GLAZING LEGEND:	
EFG	1/4" ACID ETCHED FLOAT GLASS
EIGU	1" ACID ETCHED INSULATED GLASS UNIT
FG	1/4" CLEAR FLOAT GLASS
FRG	FIRE RATED GLASS
HIG	HIGH IMPACT GLAZING (PLASTIC)
IGU1	1" INSULATED GLASS UNIT W/ LOW-E COATING
IGU2	1" INSULATED GLASS UNIT W/ LOW-E COATING
LG	LAMINATED GLASS
SIGU	1" SPANDREL INSULATED GLASS UNIT
TSIGU	1" TEMPERED SPANDREL INSULATED GLASS UNIT
SFRG	SAFETY FIRE RATED GLASS
TEFG	1/4" TEMPERED ACID ETCHED FLOAT GLASS
TEIGU	1" TEMPERED ACID ETCHED INSULATED GLASS UNIT
TFG	1/4" TEMPERED FLOAT GLASS
TIGU1	1" TEMPERED INSULATED GLASS UNIT W/ LOW-E COATING
TIGU2	1" TEMPERED INSULATED GLASS UNIT W/ LOW-E COATING

HATCH LEGEND:	
	SPANDREL UNIT
	ACID ETCHED

PROJECT

Project Name:  
**COMPREHENSIVE HIGH SCHOOL & TECHNOLOGY CENTER**

Location:

Project No.:

Attention:

ARCHITECT

Architect:

Attention:

Architect Project No.:

CONTRACTOR

Contractor:

Attention:

SHEET TITLE

**EXTERIOR STOREFRONT IT451 FRAME ELEVATIONS**

REVISIONS

- 
- 
- 

DATE ISSUED

10.23.08

SHEET NO.