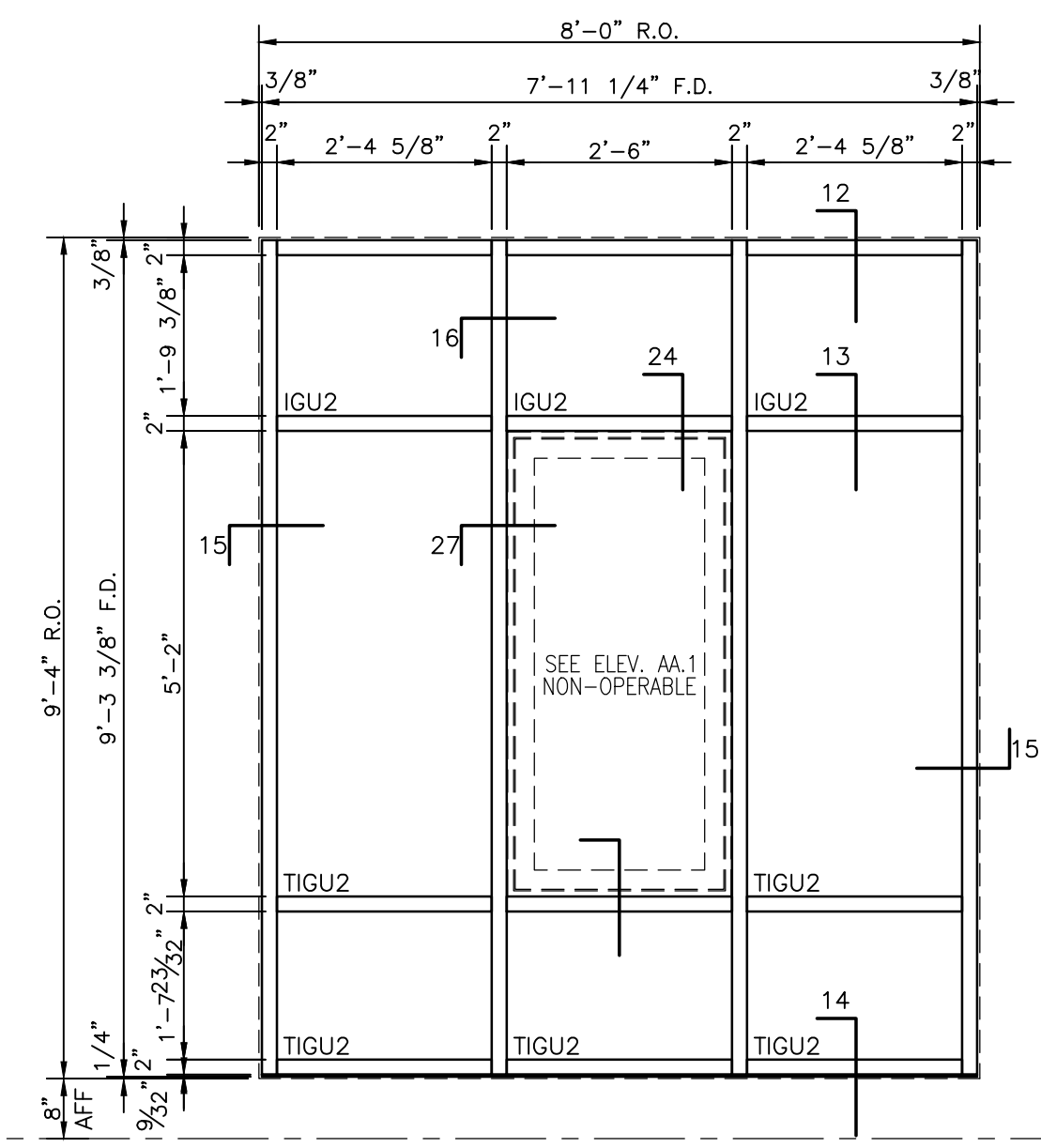


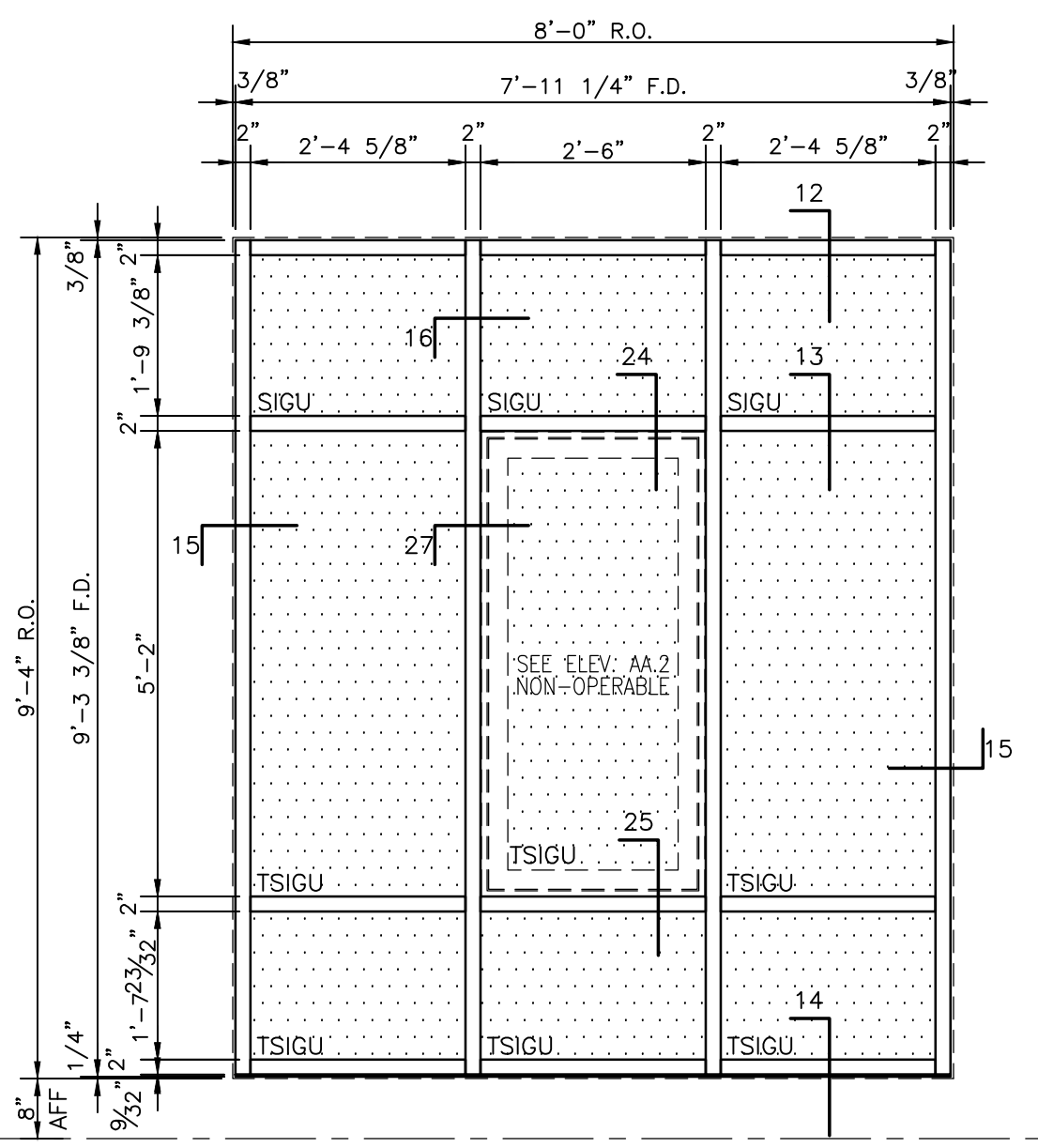
ELEVATION A
QTY. 5 Total

ROOM #:
C121A, C121C
(2) F117, F119



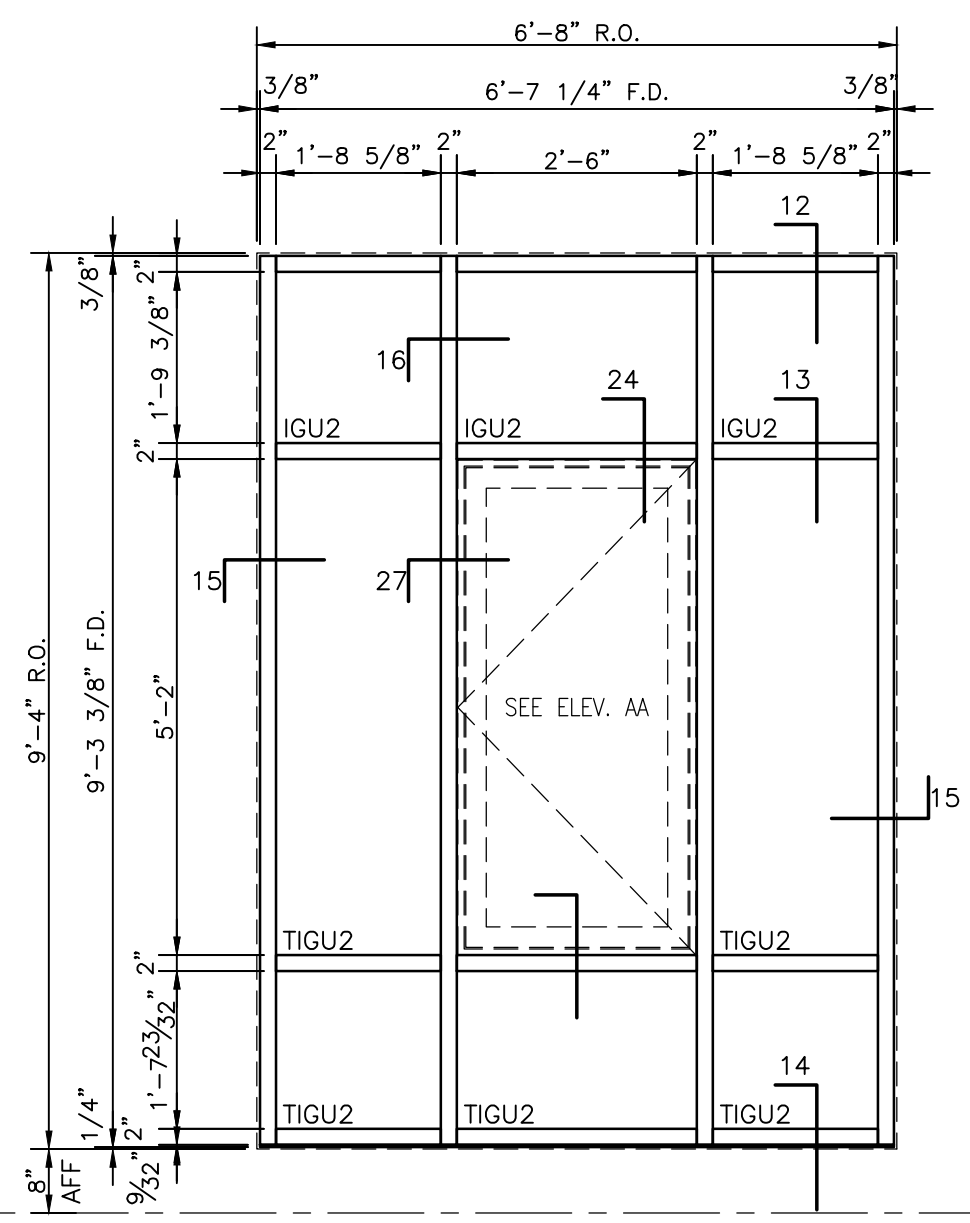
ELEVATION A.1
QTY. 11 Total

ROOM #:
(3) A112
B101A, B101B, B101C, B101D, B102A, B102C, B102D, B102E



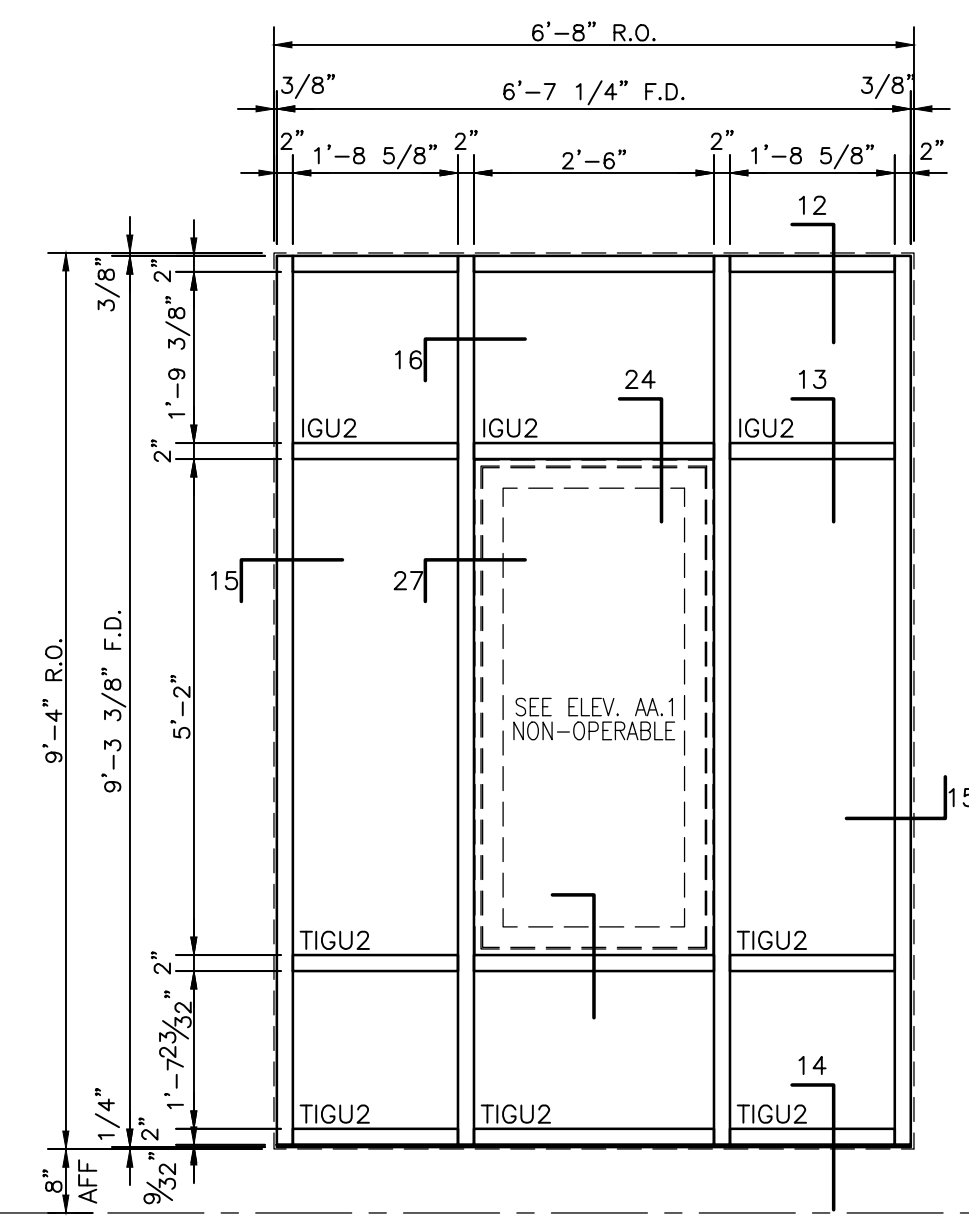
ELEVATION A.2
QTY. 1 Total

ROOM #:
C121B



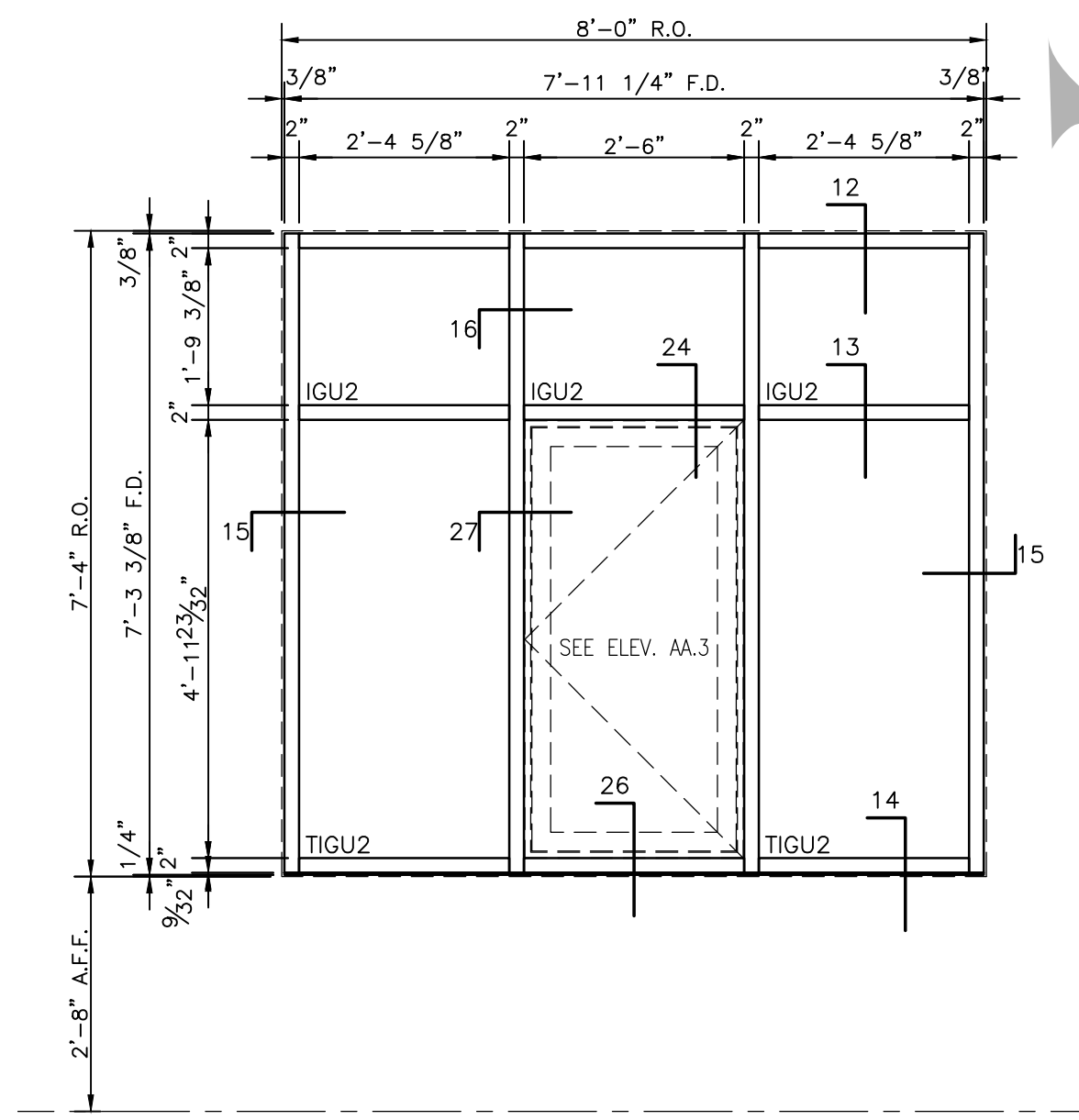
ELEVATION B
QTY. 6 Total

ROOM #:
A119, C116, C120
(2) F122, F124



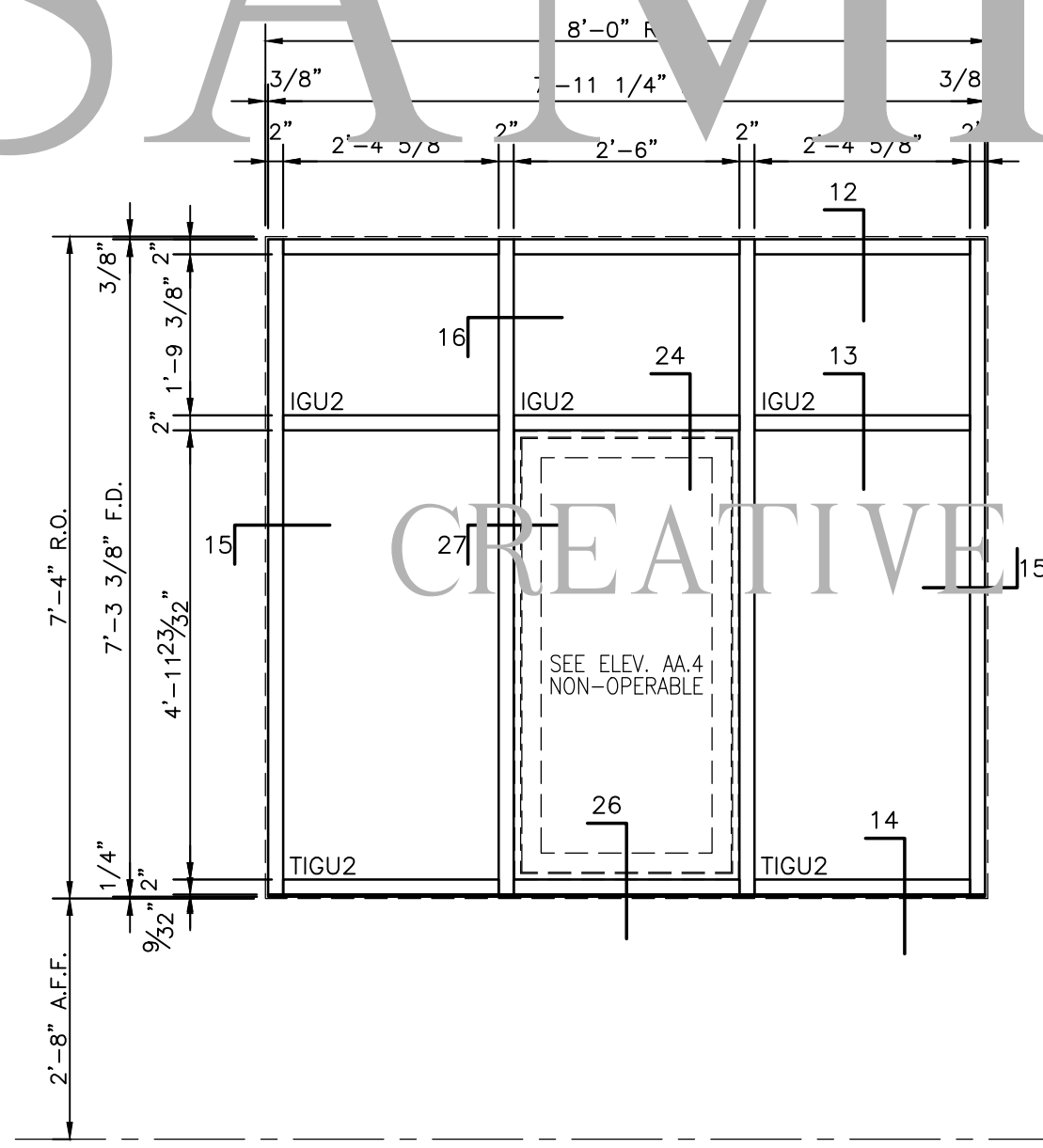
ELEVATION B.1
QTY. 2 Total

ROOM #:
A119, C118



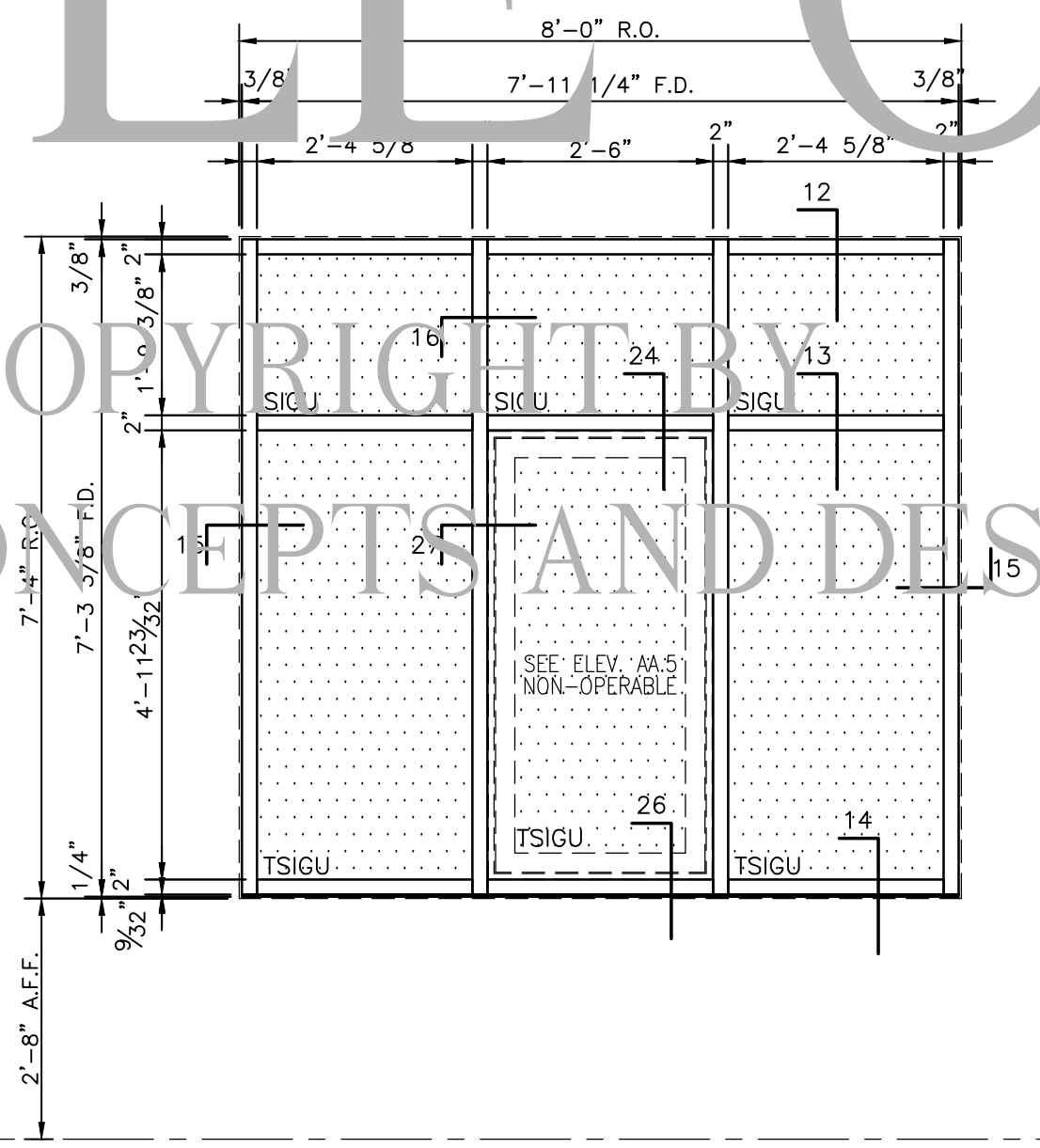
ELEVATION C
QTY. 89 Total

ROOM #:
A102, A104, (2) A108, (2) A110
(3) A204, (3) A206, (3) A208, (2) A210, (2) A210A
(2) B201, B203, B205, (2) B207
(2) C103, (2) C105, (2) C115, (2) C117
(2) C203, (2) C205, (2) C215, (2) C217, C219,
(2) C221
D201C, D203
F101, (2) F103, (2) F105, (2) F109, (2) F111,
(2) F113, (2) F115
F201, (2) F203, (2) F205, (2) F209, (2) F211,
(2) F213, (2) F215, F217, F221
(2) H101, H102, H103, H104
(2) J106, (2) J103, (2) J104
(2) L108, (2) L111



ELEVATION C.1
QTY. 28 Total

ROOM #:
A104A, A104B, (2) A106, A106A
A210C
B201A, B205A
C111A, (3) C111B
C211A, (3) C211B
(6) D100
D201E, (3) D100 HIGH
L101, L104



ELEVATION C.2
QTY. 5 Total

ROOM #:
F107A, F107B
F207A, F207B, F219

SAMPLE ONLY

COPYRIGHT BY
CREATIVE CONCEPTS AND DESIGN, INC.

PROJECT

Project Name:
COMPREHENSIVE HIGH SCHOOL & TECHNOLOGY CENTER

Location:

Project No.:

Attention:

ARCHITECT

Architect:

Attention:

Architect Project No.:

CONTRACTOR

Contractor:

Attention:

SHEET TITLE

EXTERIOR STOREFRONT IT451 FRAME ELEVATIONS

REVISIONS

- 1.
- 2.
- 3.

DATE ISSUED

10.23.08

SHEET NO.

GLAZING LEGEND:	
EFG	1/4" ACID ETCHED FLOAT GLASS
EIGU	1" ACID ETCHED INSULATED GLASS UNIT
FG	1/4" CLEAR FLOAT GLASS
FRG	FIRE RATED GLASS
HIG	HIGH IMPACT GLAZING (PLASTIC)
IGU1	1" INSULATED GLASS UNIT W/ LOW-E COATING
IGU2	1" INSULATED GLASS UNIT W/ LOW-E COATING
LG	LAMINATED GLASS
SIGU	1" SPANDREL INSULATED GLASS UNIT
TSIGU	1" TEMPERED SPANDREL INSULATED GLASS UNIT
SFRG	SAFETY FIRE RATED GLASS
TEFG	1/4" TEMPERED ACID ETCHED FLOAT GLASS
TEIGU	1" TEMPERED ACID ETCHED INSULATED GLASS UNIT
TFG	1/4" TEMPERED FLOAT GLASS
TIGU1	1" TEMPERED INSULATED GLASS UNIT W/ LOW-E COATING
TIGU2	1" TEMPERED INSULATED GLASS UNIT W/ LOW-E COATING

HATCH LEGEND:	
SPANDREL UNIT	
ACID ETCHED	

1 STOREFRONT SERIES IT451 ELEVATIONS A-C.2 (EXTERIOR)
SD-3 1/2" = 1'-0"

SD-3