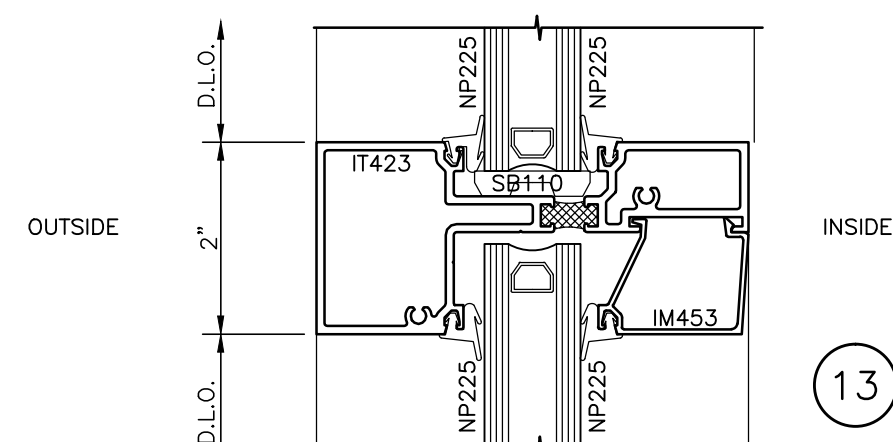
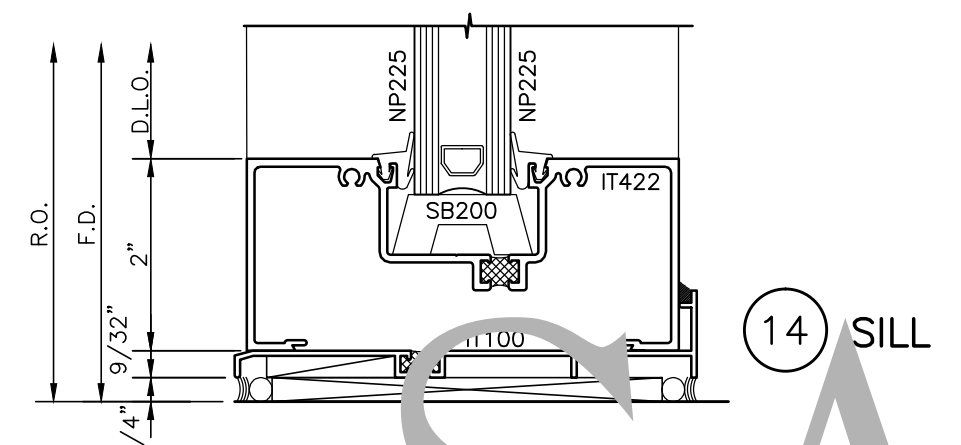


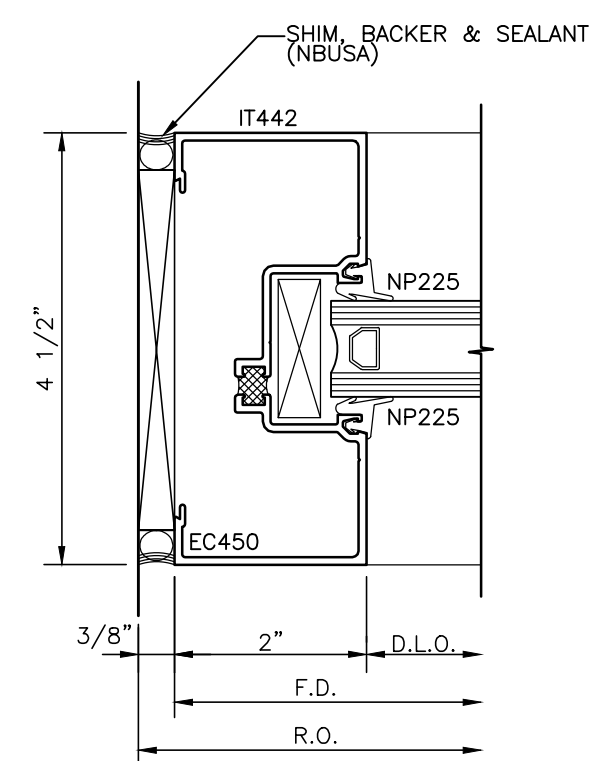
12 HEAD



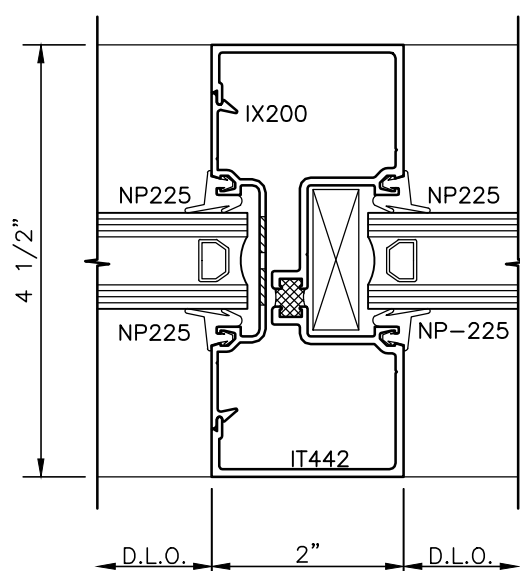
13 HORIZ. MULLION



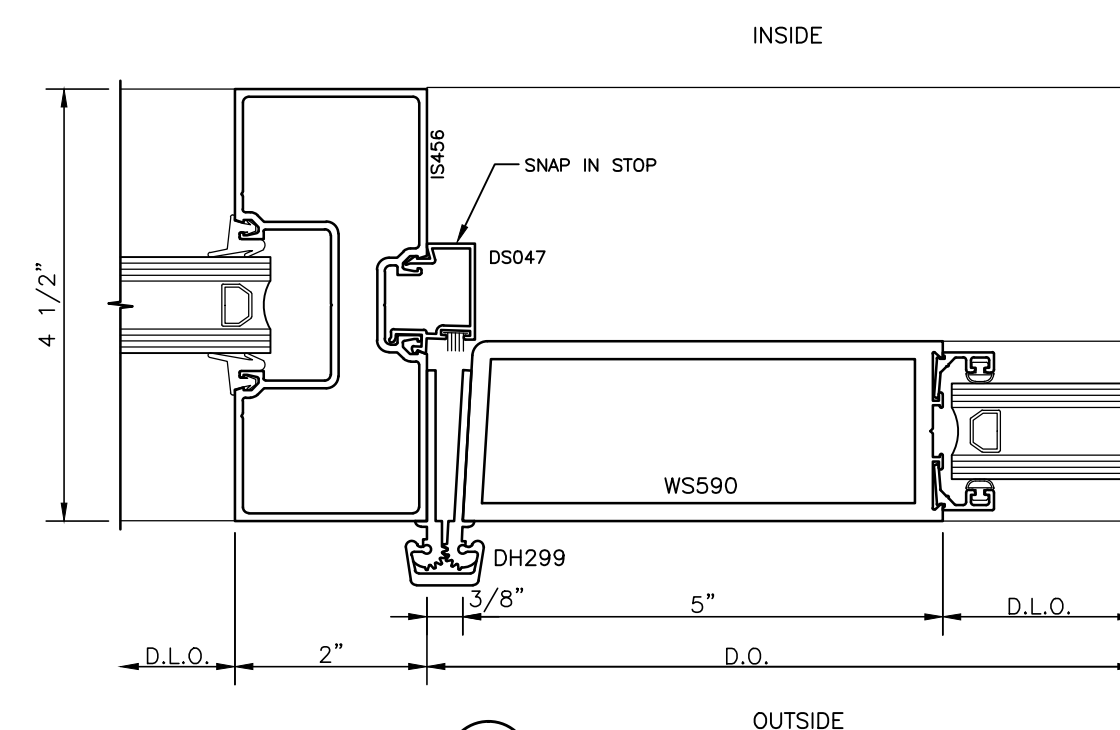
14 SILL



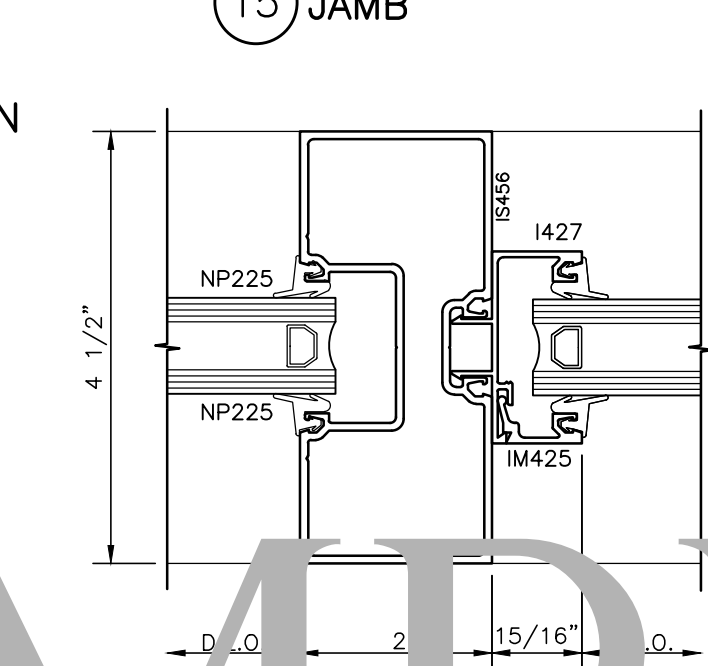
15 JAMB



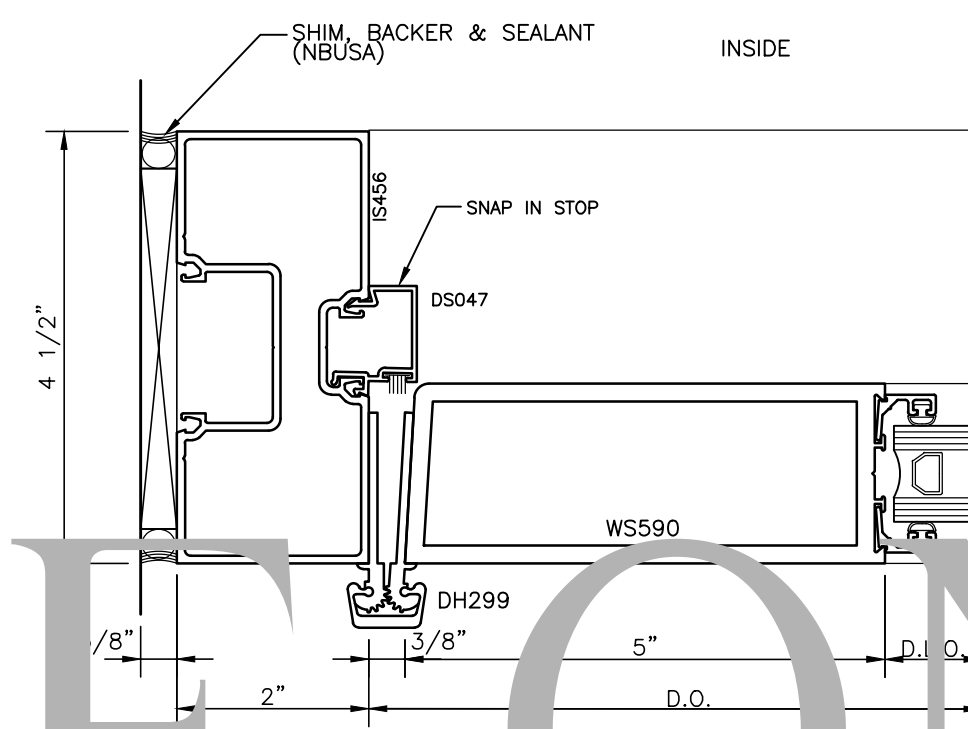
16 VERT. MULLION



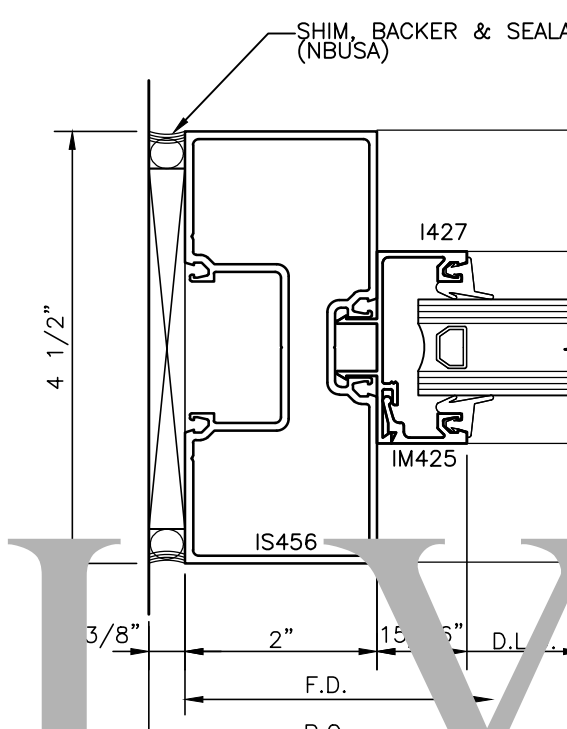
18 JAMB



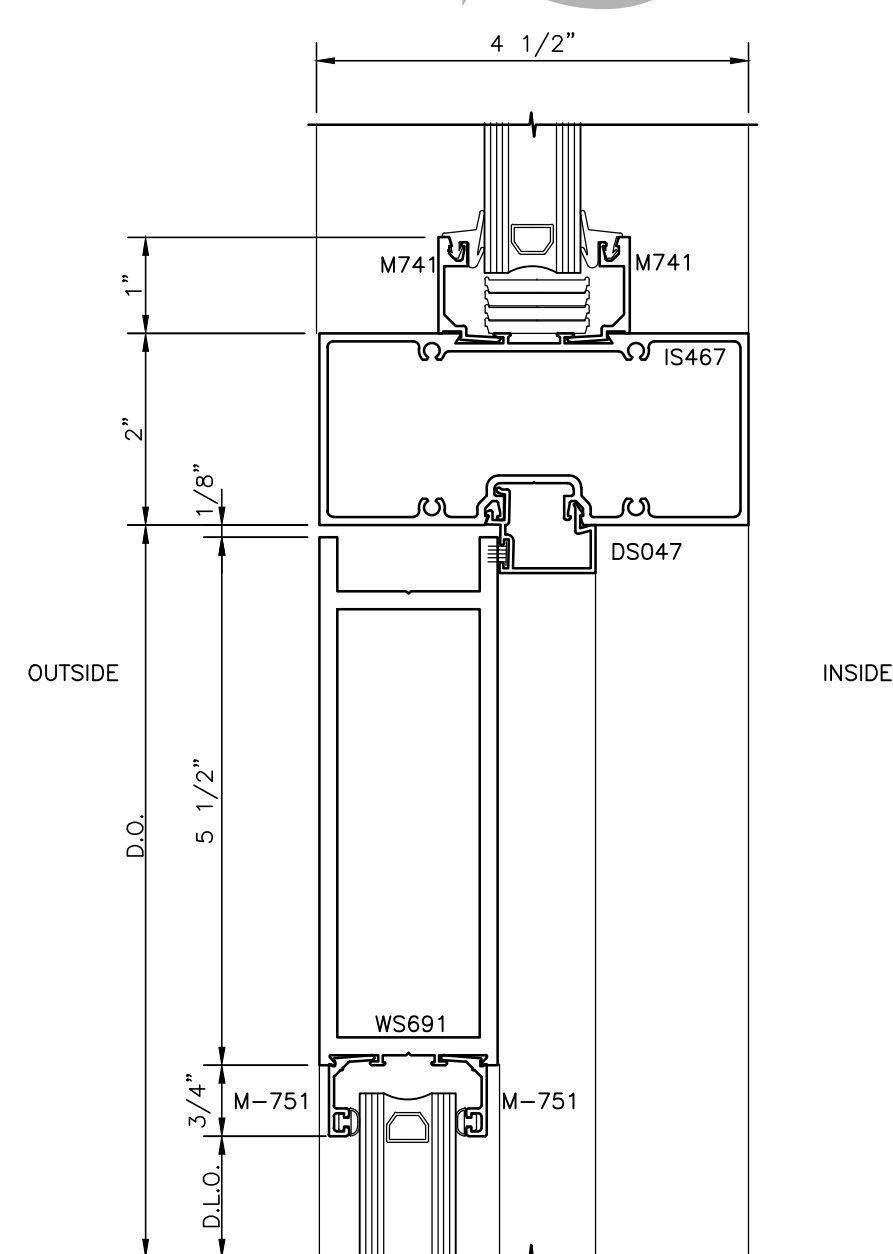
17 VERT. MULLION ANSOM



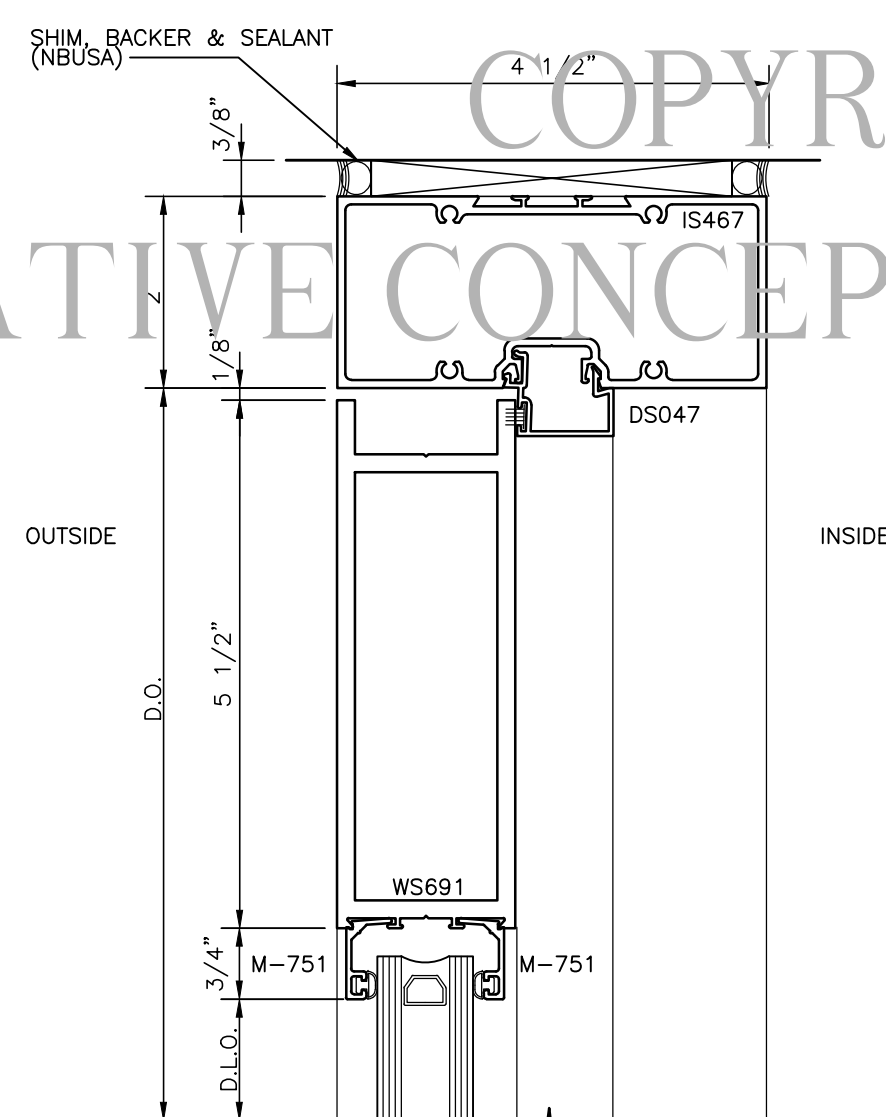
19 JAMB



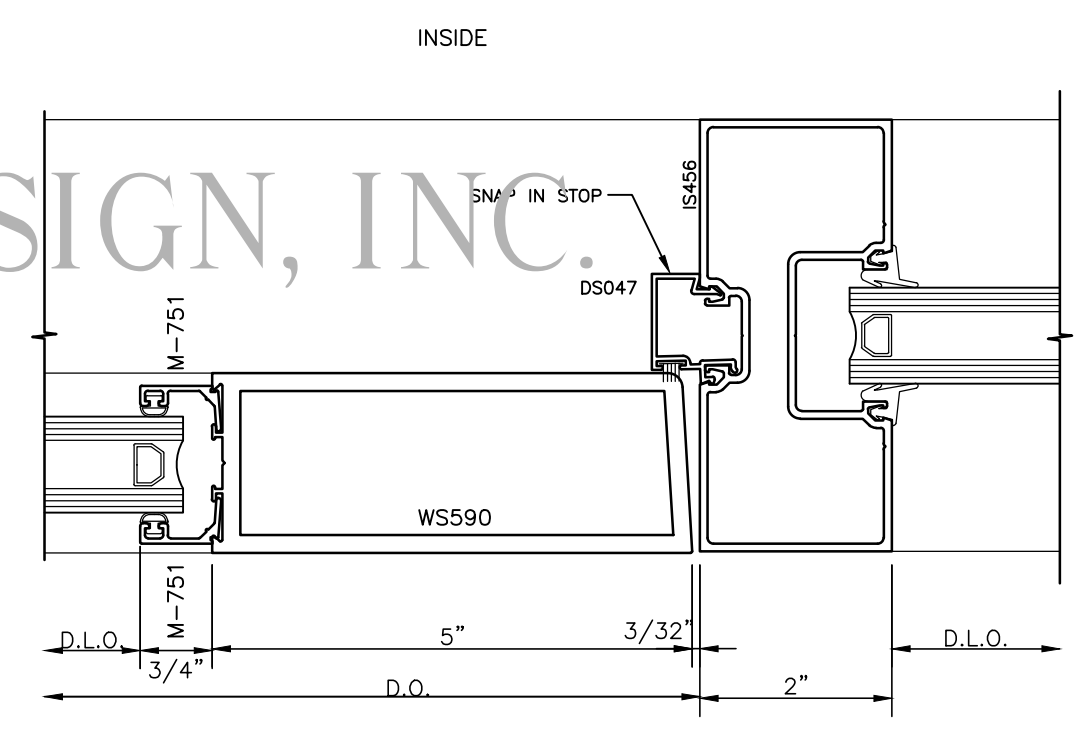
20 JAMB



21 HEAD



22 HEAD



23 JAMB

SAMPLE ONLY

COPYRIGHT BY  
CREATIVE CONCEPTS AND DESIGN, INC.

**1 STOREFRONT SERIES IT451 DETAILS (EXTERIOR)**  
SD-10 6" = 1'-0"

**PROJECT**

Project Name:  
**COMPREHENSIVE HIGH SCHOOL & TECHNOLOGY CENTER**

Location:

Project No.:

Attention:

**ARCHITECT**

Architect:

Attention:

Architect Project No.:

**CONTRACTOR**

Contractor:

Attention:

**SHEET TITLE**

**EXTERIOR STOREFRONT IT451 SERIES DETAILS**

**REVISIONS**

- 1.
- 2.
- 3.

**DATE ISSUED**

10.23.08

**SHEET NO.**