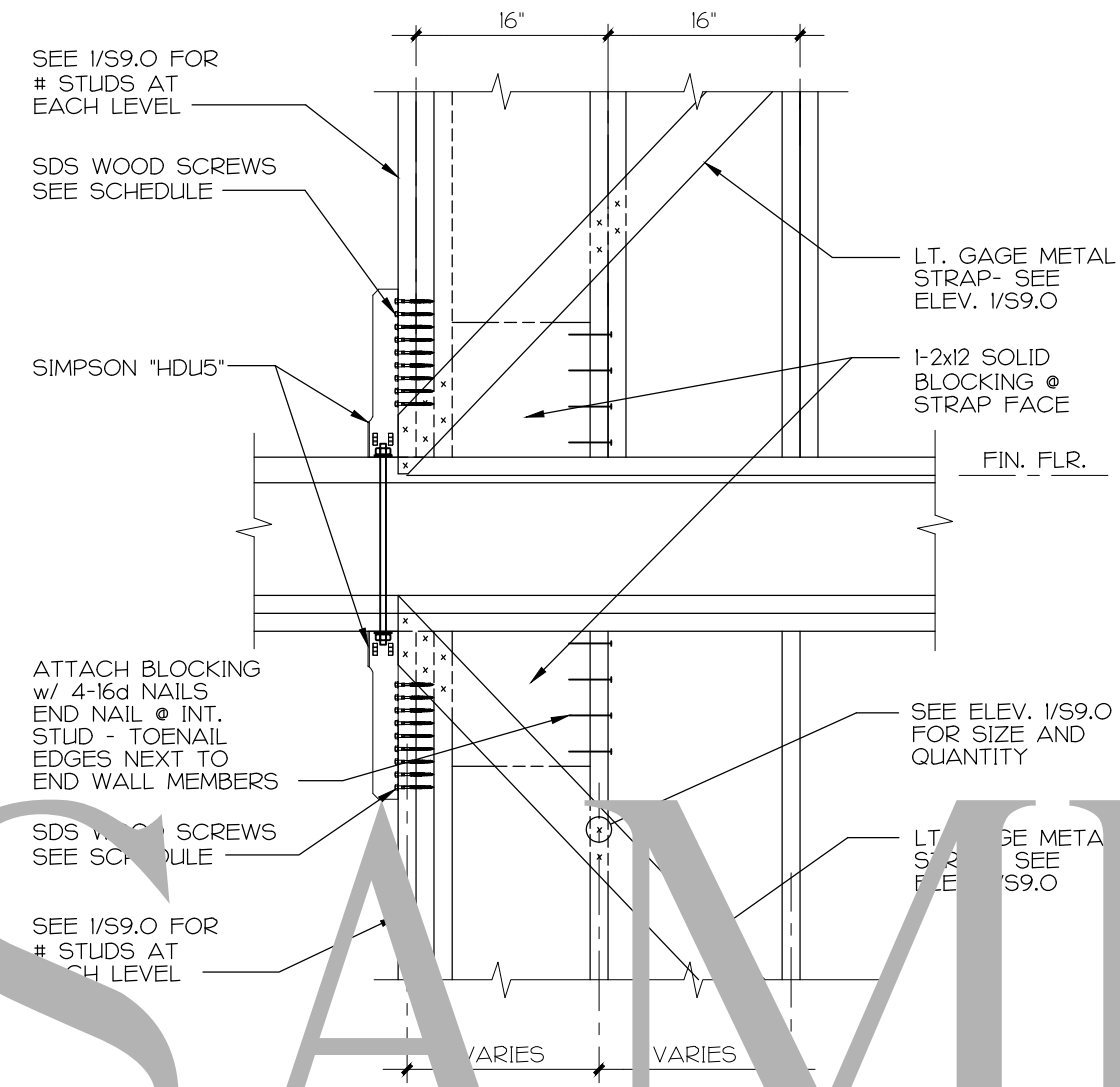


1 TYPICAL SHEAR WALL STRAP BRACING
S9.0 NO SCALE

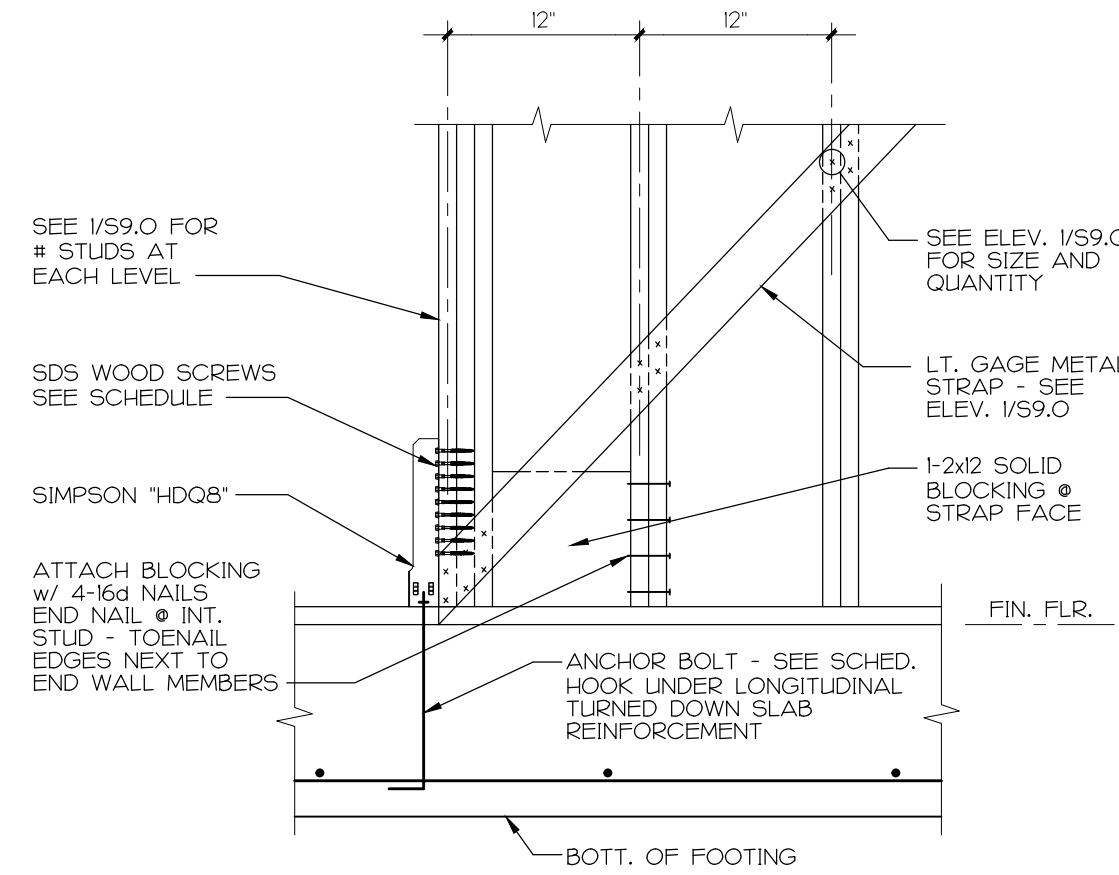
SIMPSON HOLDDOWN SCHEDULE		
MARK	AHCHOR	STUD BOLTS/SCREWS
HDU5-SDS2.5	1 - 5/8" ø	14-SDS 1/4"x2 1/2"
HDOB-SDS3	1 - 7/8" ø	20-SDS 1/4"x3"

SIMPSON OR APPROVED EQUIVALENT. SUBMIT ALTERNATE FOR APPROVAL.

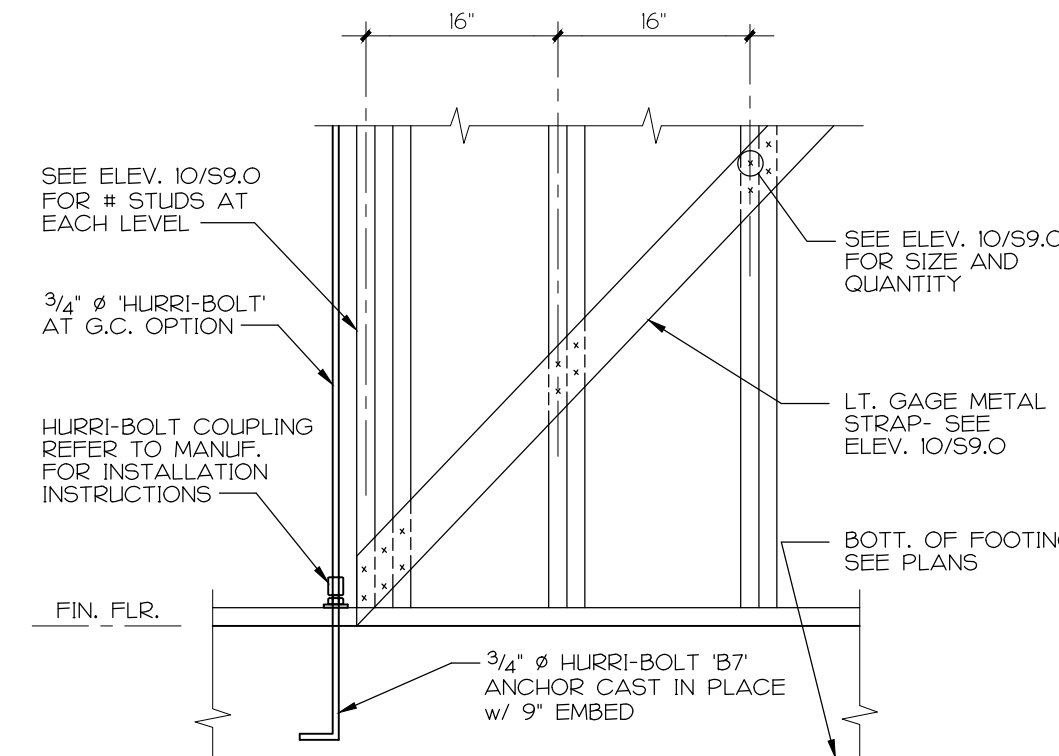
3 SIMPSON HOLDDOWN SCHEDULE
S9.0 NO SCALE



2 SECTION
S9.0 3/4" = 1'-0"

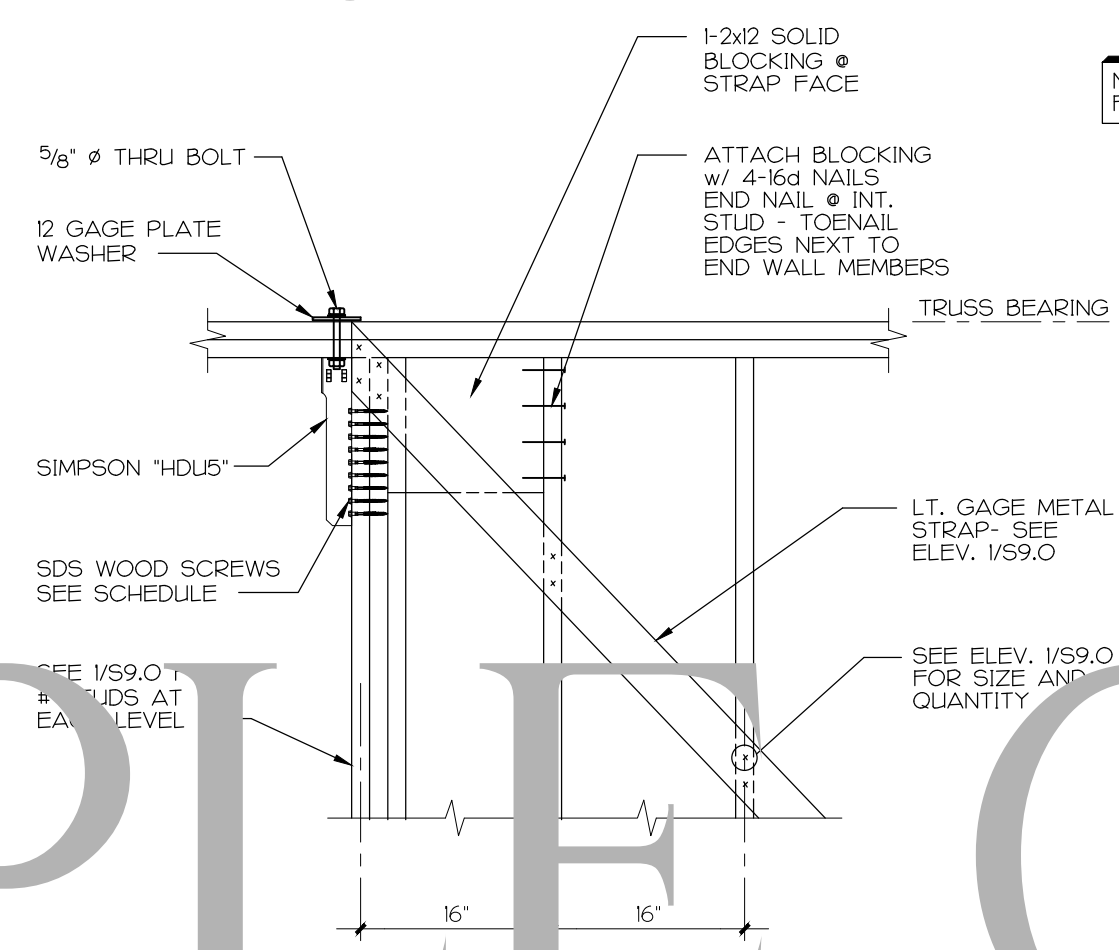


4 SECTION
S9.0 3/4" = 1'-0"

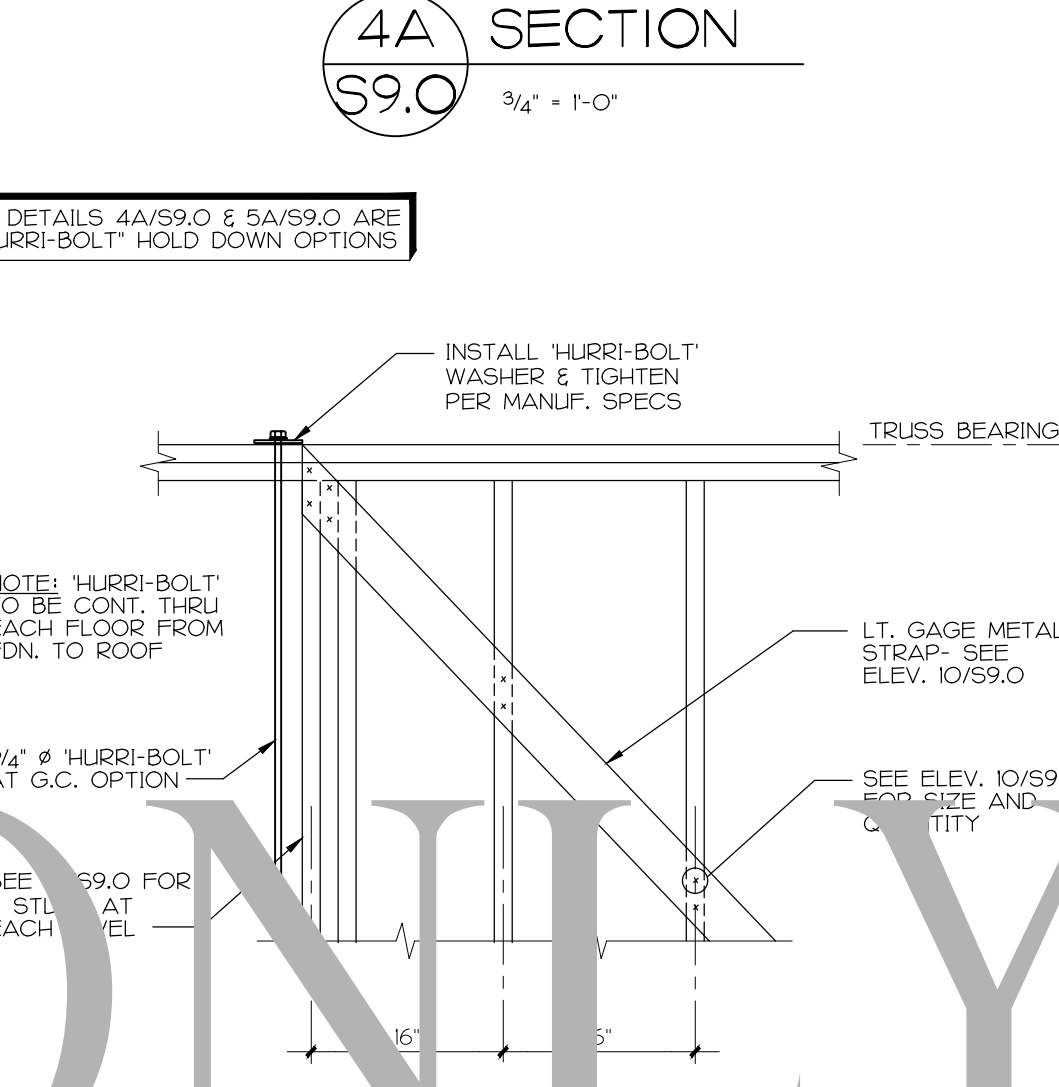


4A SECTION
S9.0 3/4" = 1'-0"

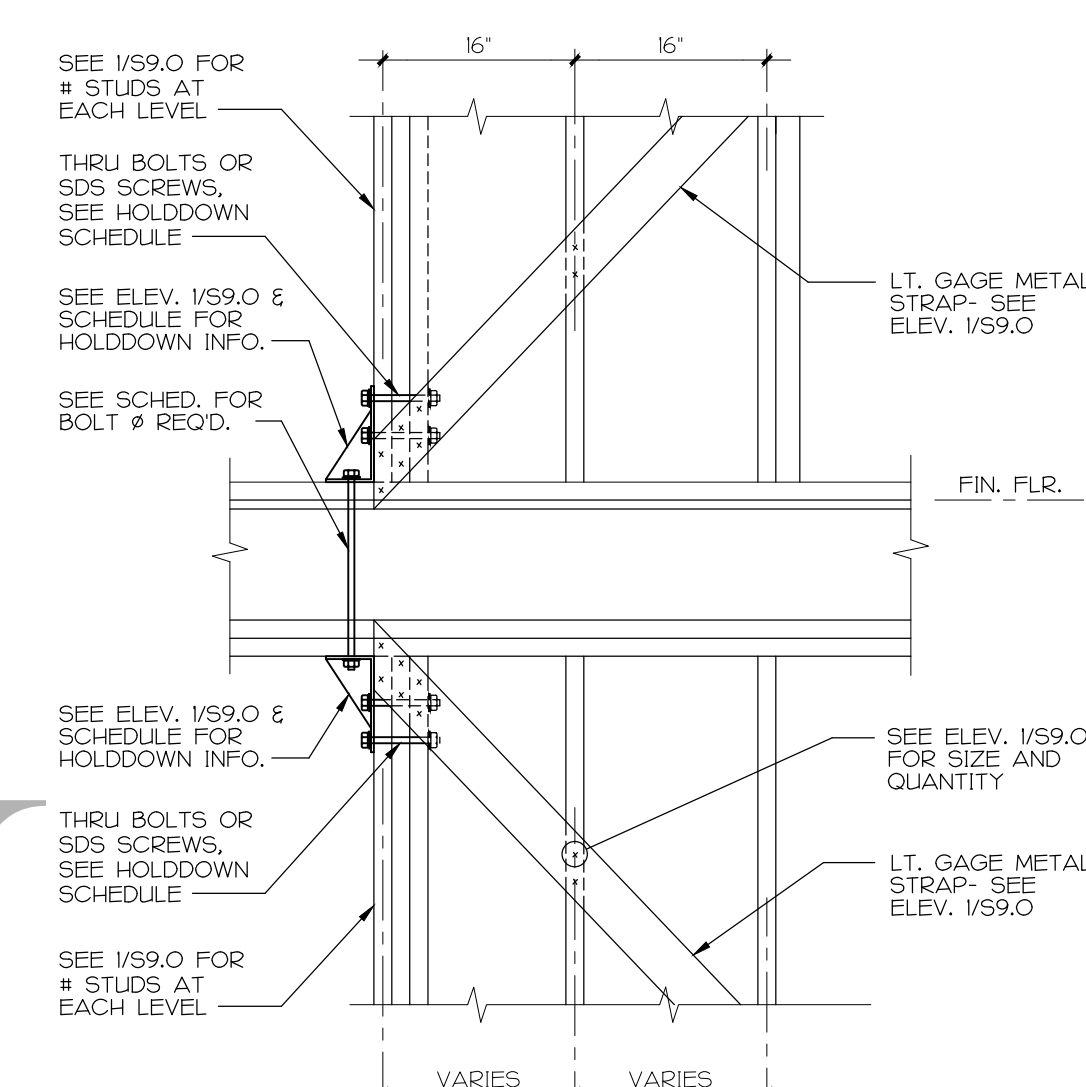
NOTE: DETAILS 4A/59.0 & 5A/59.0 ARE FOR "HURRI-BOLT" HOLD DOWN OPTIONS



5 SECTION
S9.0 3/4" = 1'-0"



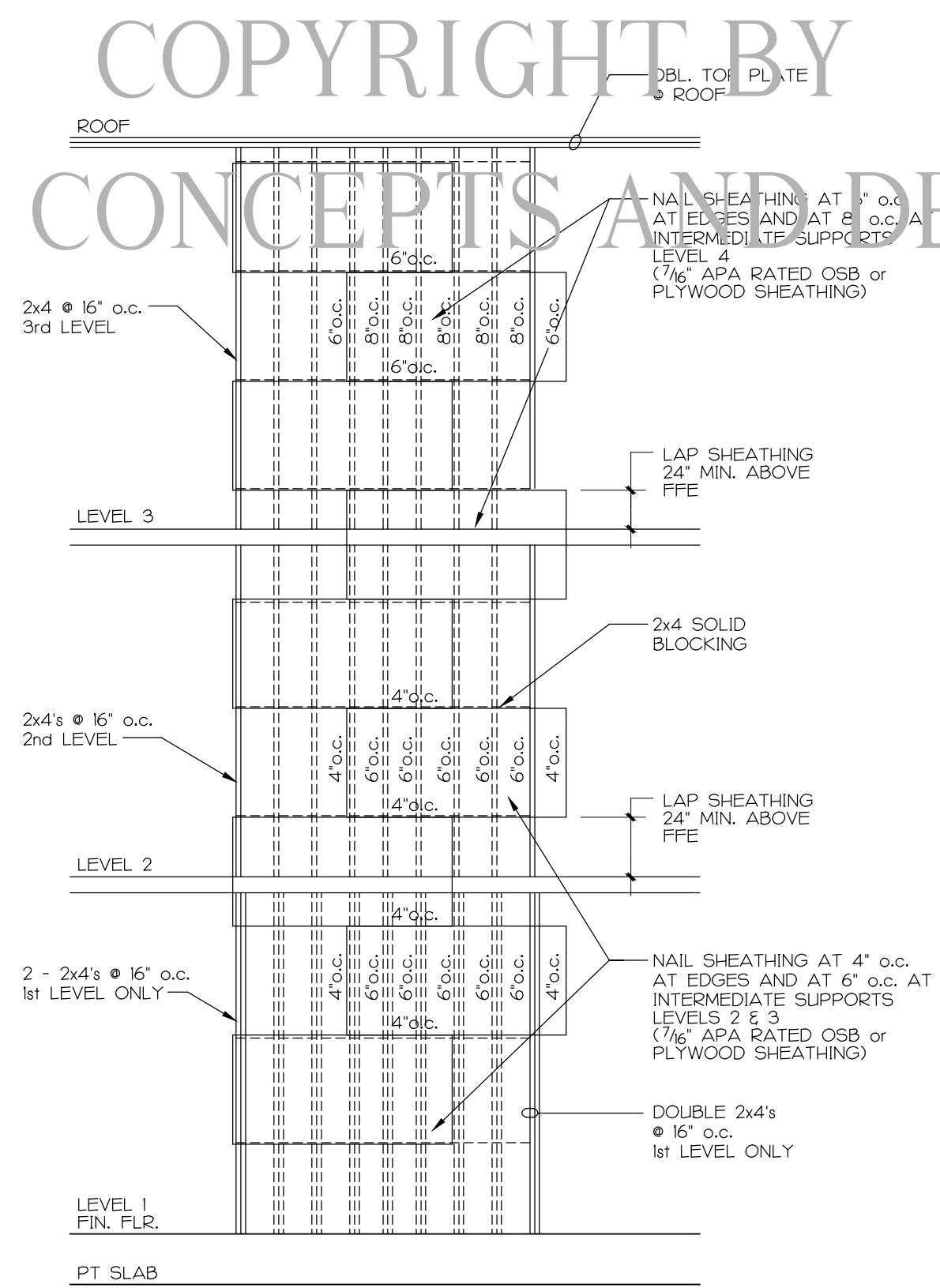
5A SECTION
S9.0 3/4" = 1'-0"



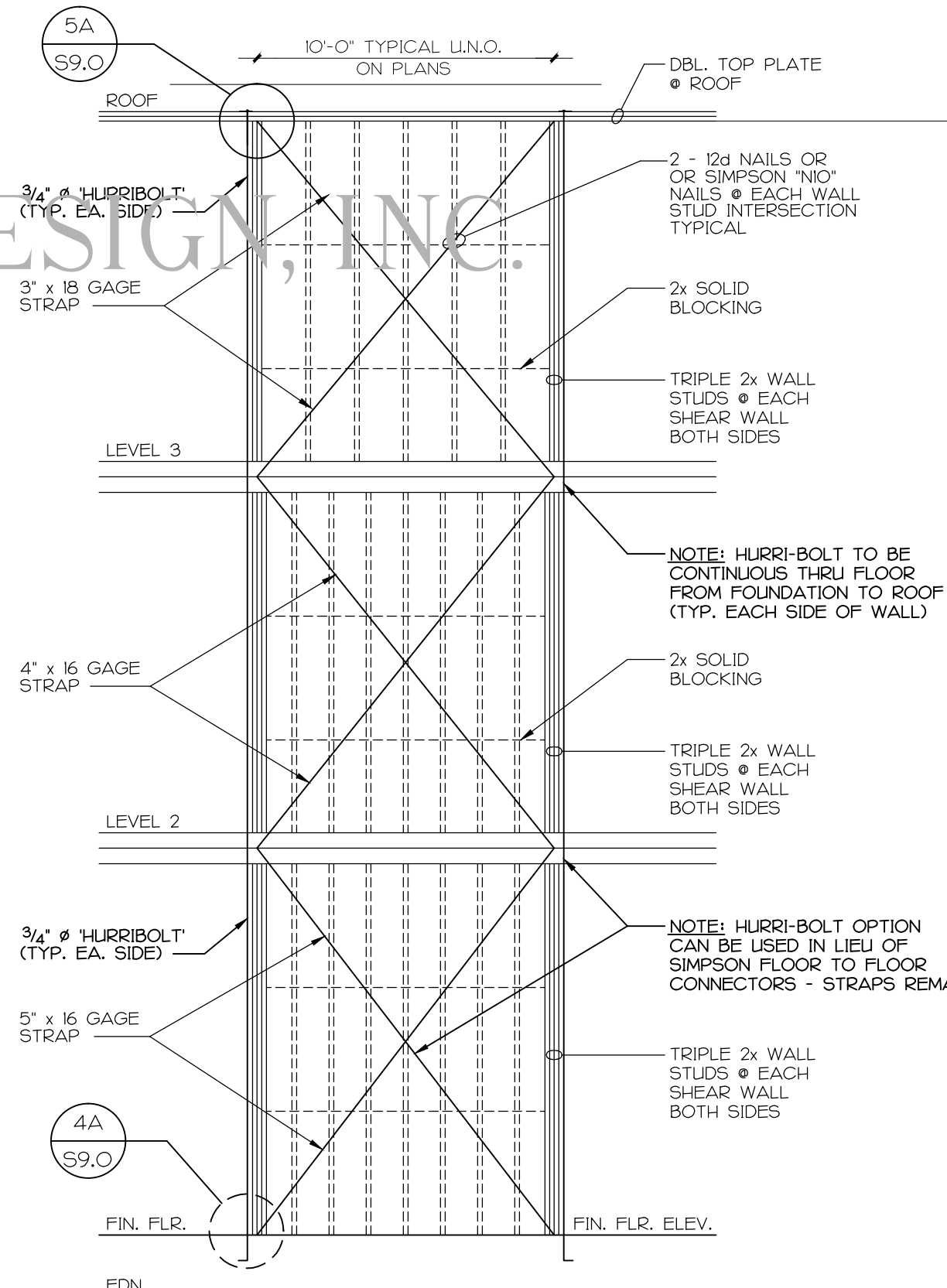
6 SECTION
S9.0 3/4" = 1'-0"

SAMPLE ONLY

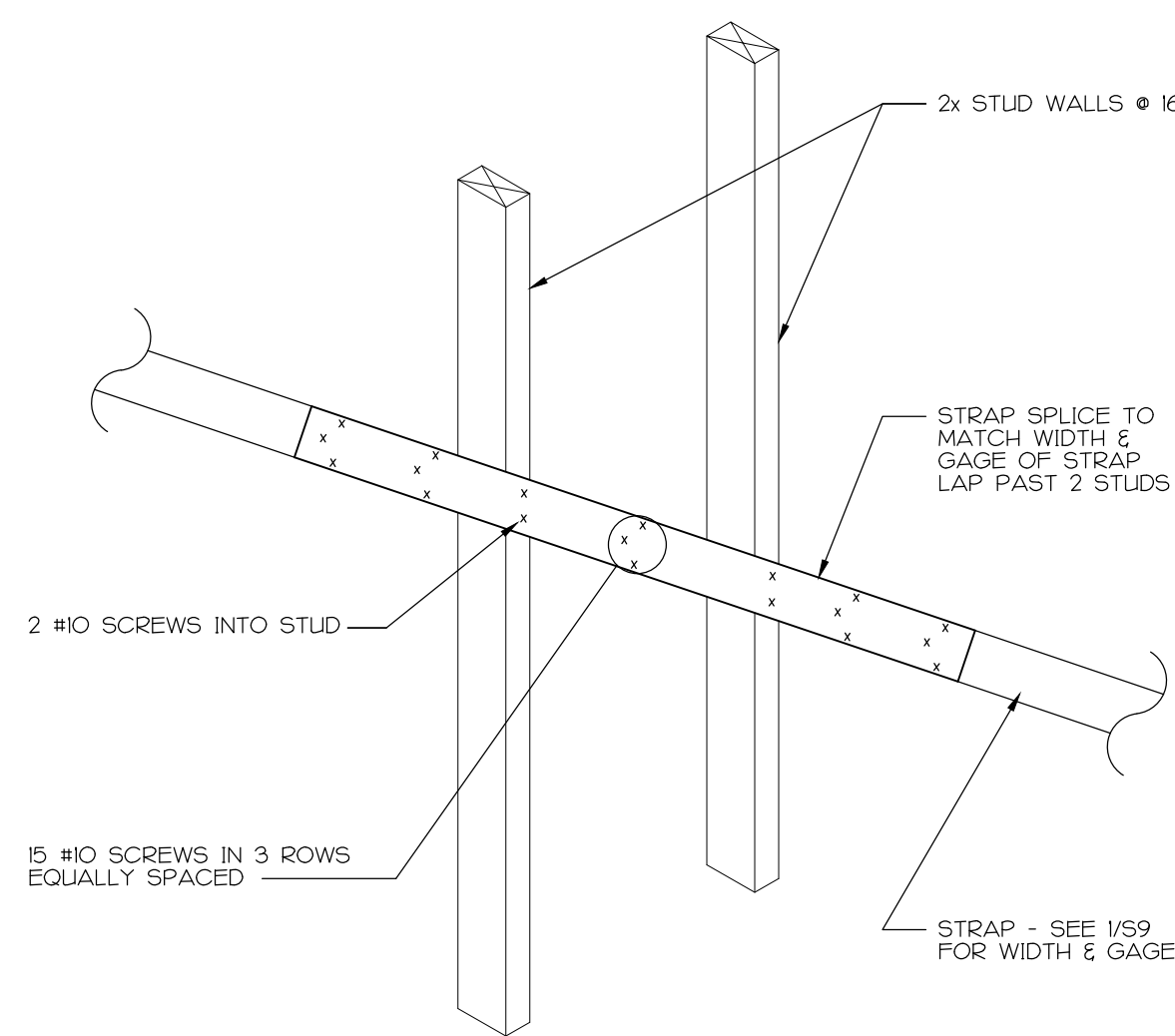
COPYRIGHT BY
CREATIVE CONCEPTS AND DESIGN, INC.



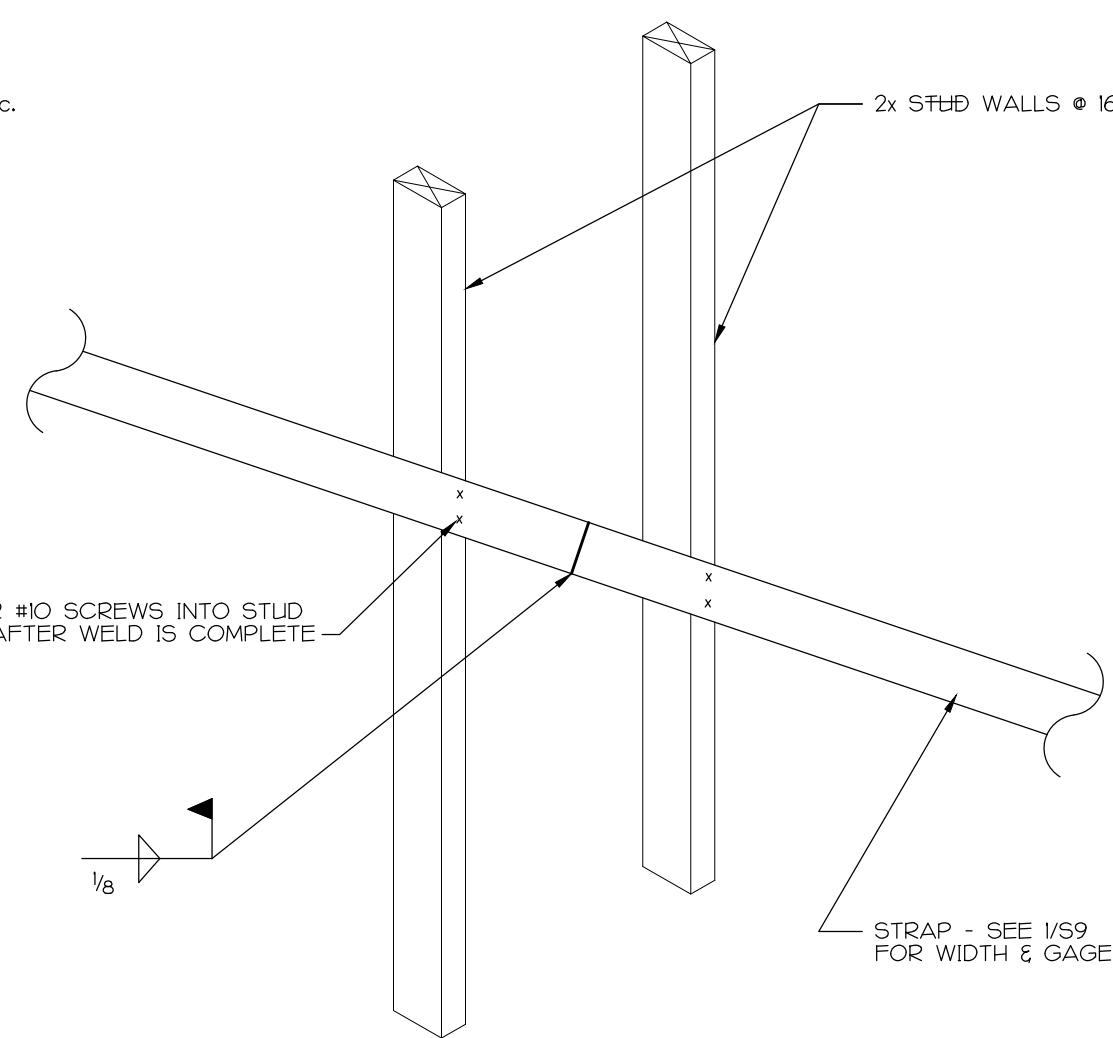
9 TYPICAL WALL SHEATHING LAYOUT
S9.0 1/4" = 1'-0"



10 'HURRI-BOLT' G.C. OPTION AT SHEAR WALLS
S9.0 NO SCALE



7 FLAT STRAP SPLICE
S9.0 NO SCALE



8 FLAT STRAP SPLICE
S9.0 NO SCALE

PRELIMINARY
COORDINATION ONLY
NOT FOR CONSTRUCTION

HSPA# 1805

SECTIONS AND DETAILS

SEPTEMBER 2, 2014

S9.0