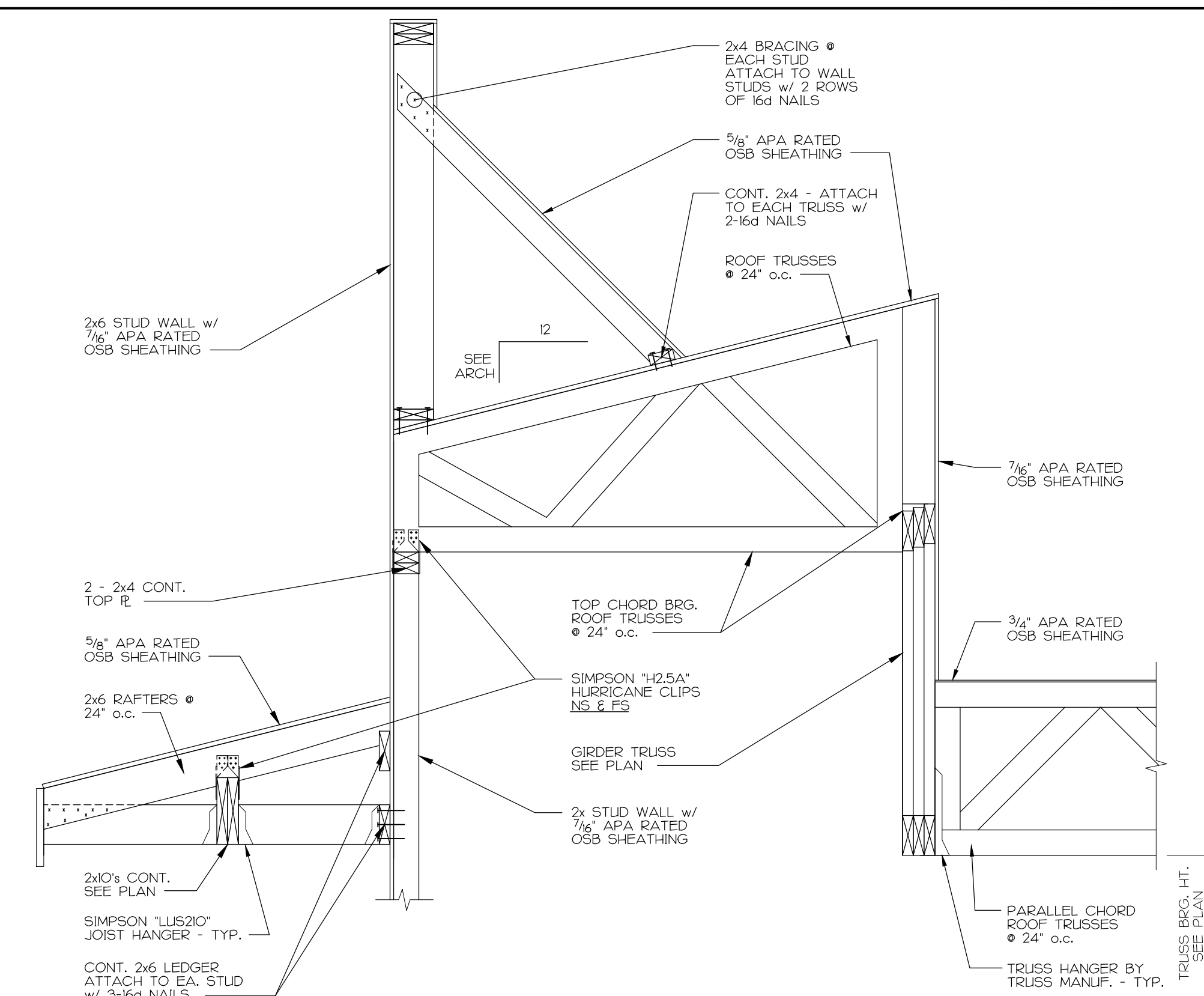
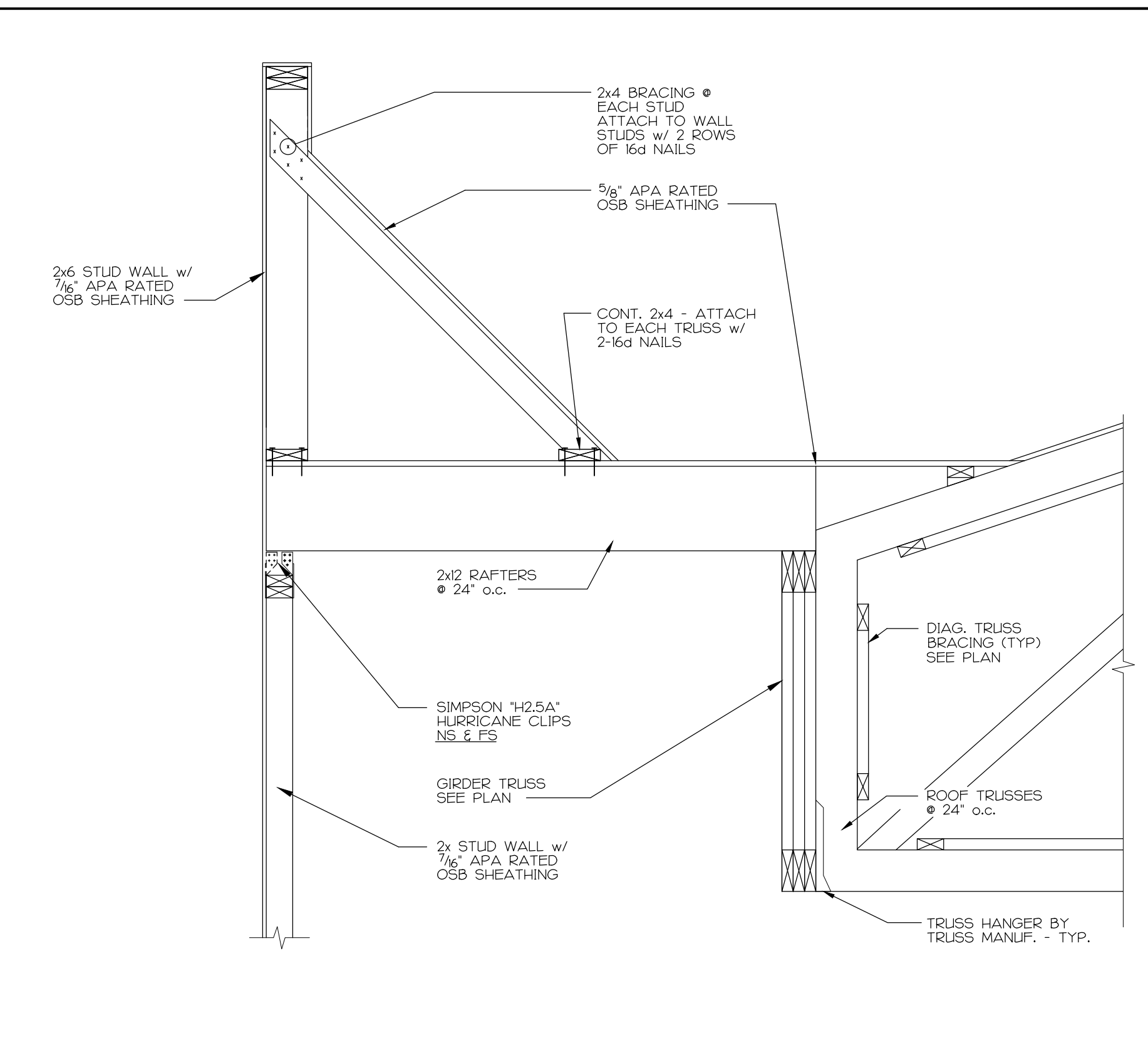


1 SECTION AT ROOF
S8.1 3/4" = 1'-0"



2 SECTION AT ROOF
S8.1 3/4" = 1'-0"

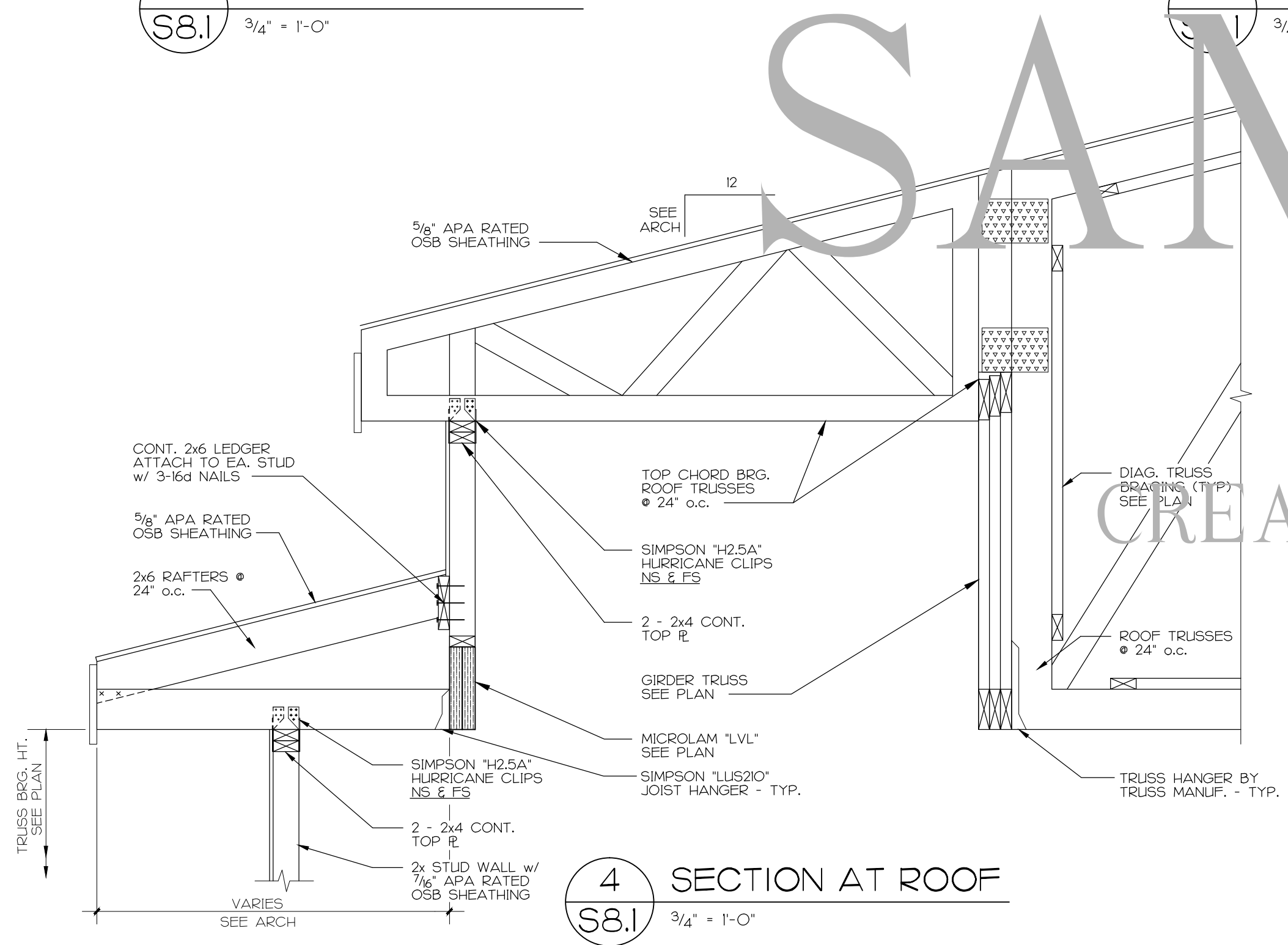


3 SECTION AT ROOF
S8.1 3/4" = 1'-0"

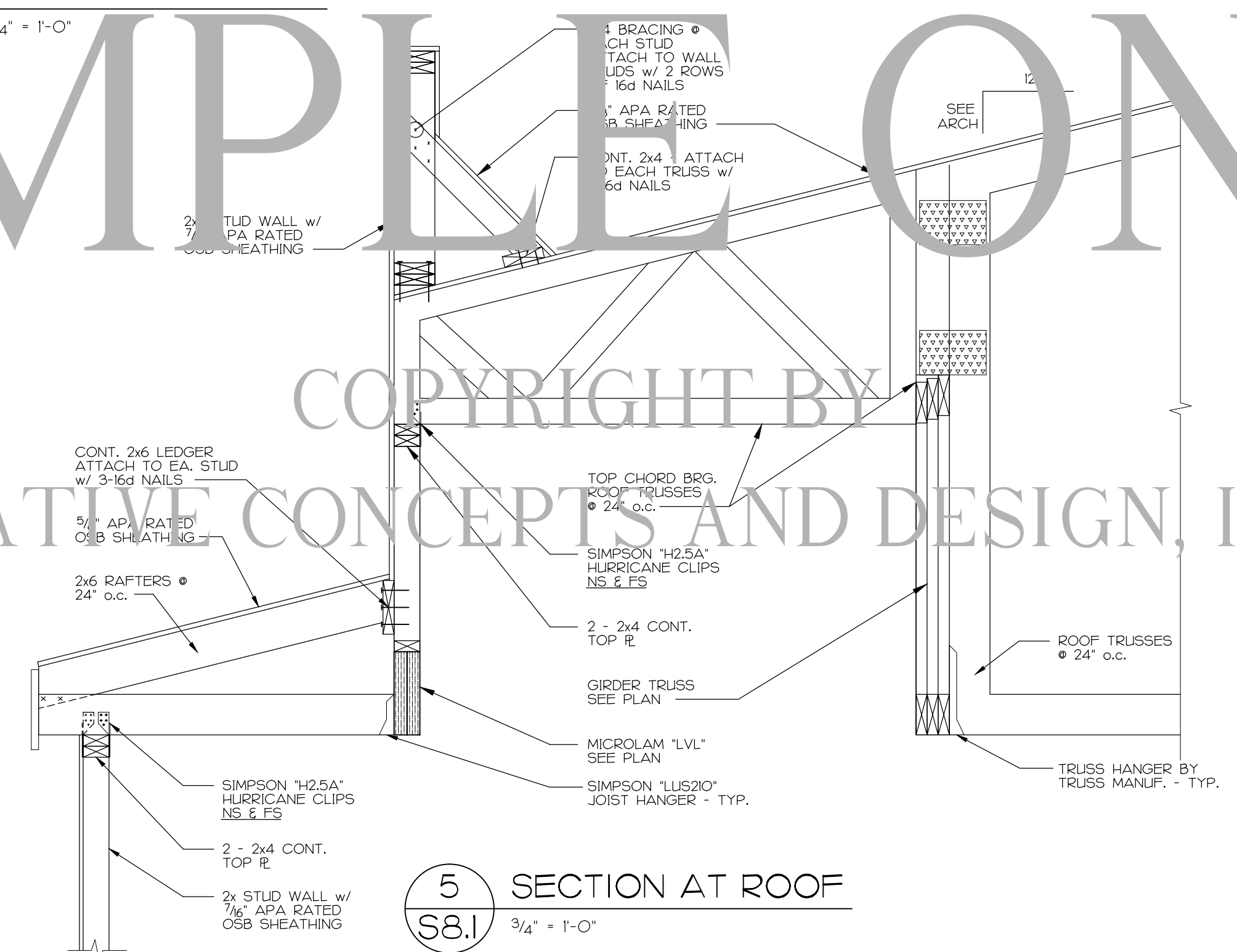
PRELIMINARY
COORDINATION ONLY
NOT FOR CONSTRUCTION

SAMPLE ONLY

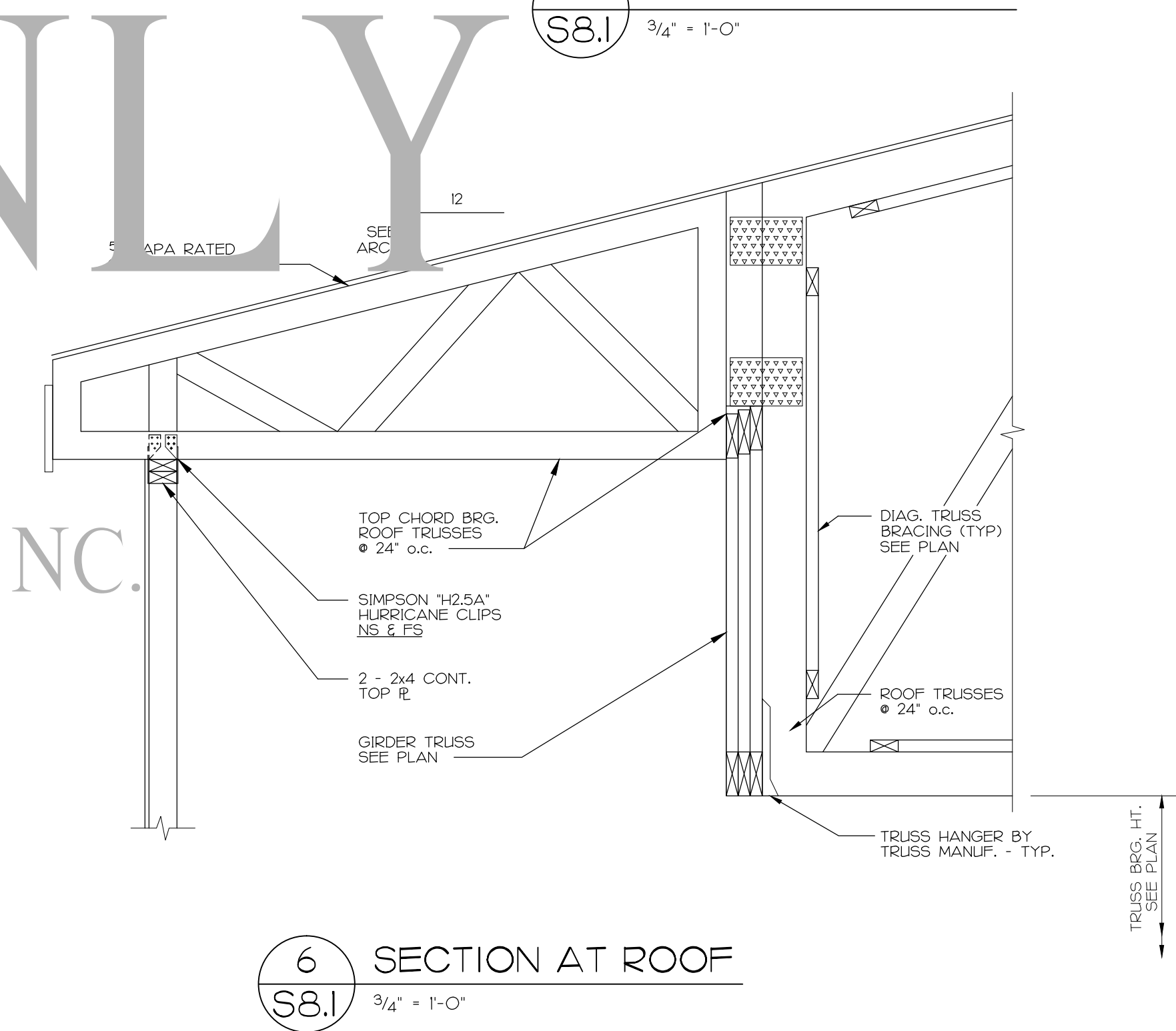
COPYRIGHT BY
CREATIVE CONCEPTS AND DESIGN, INC.



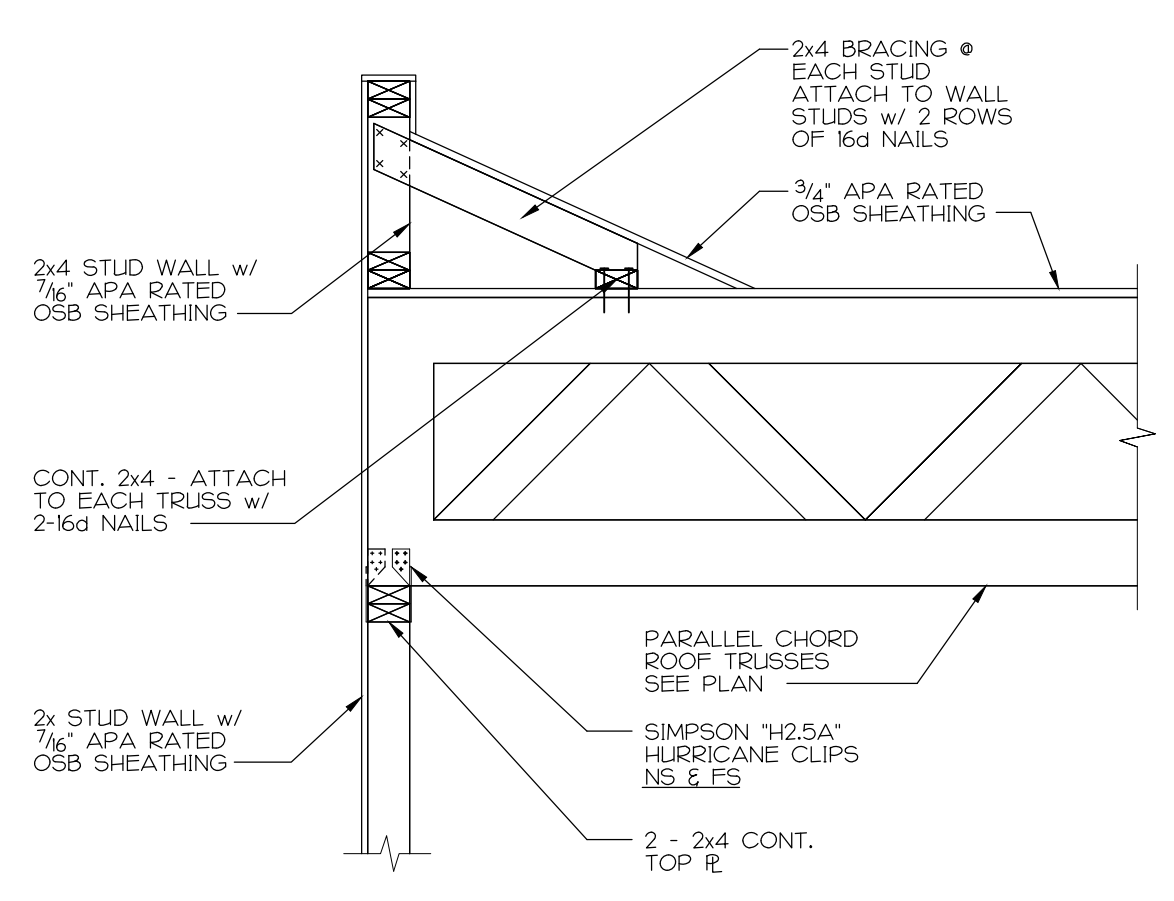
4 SECTION AT ROOF
S8.1 3/4" = 1'-0"



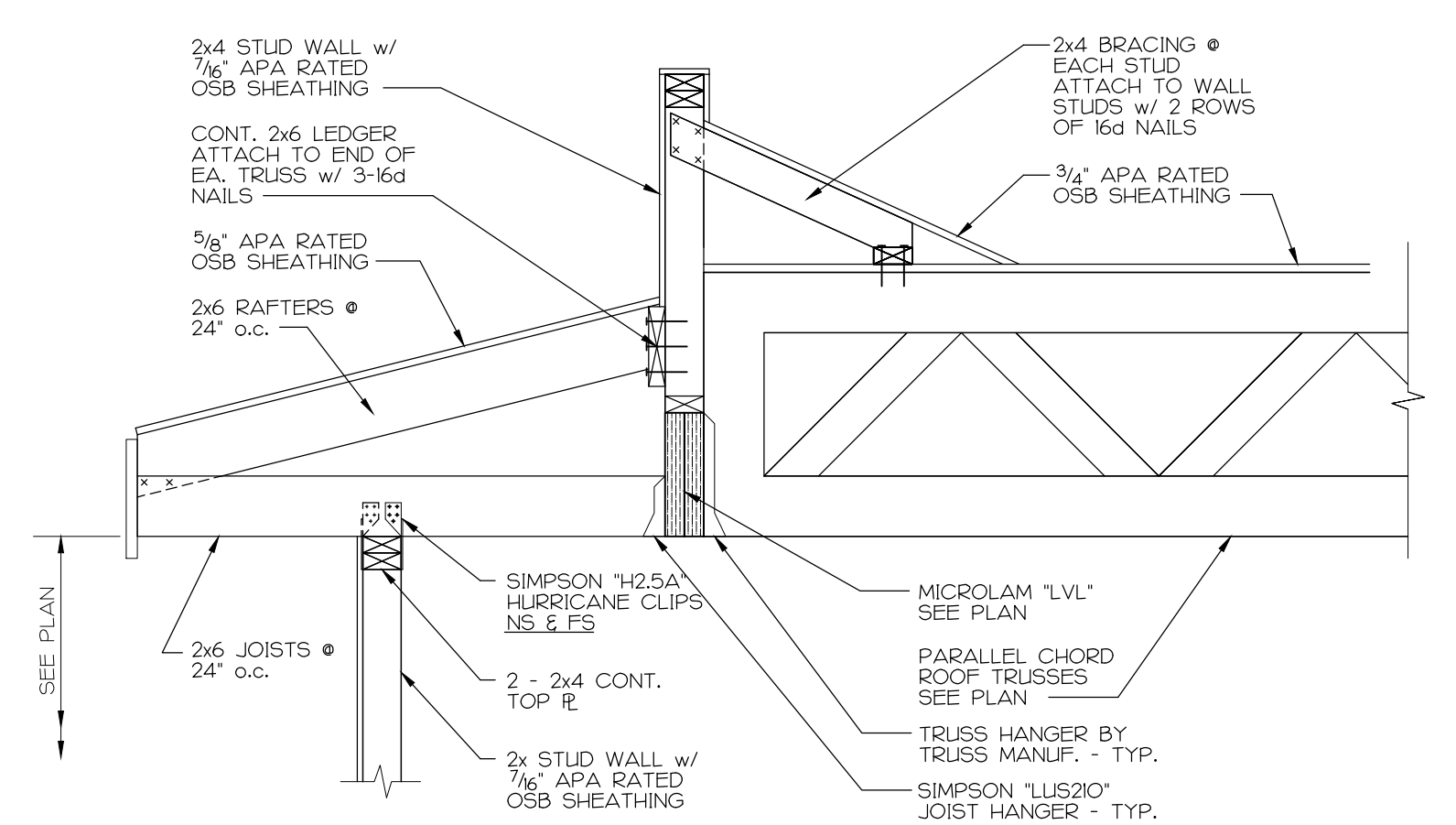
5 SECTION AT ROOF
S8.1 3/4" = 1'-0"



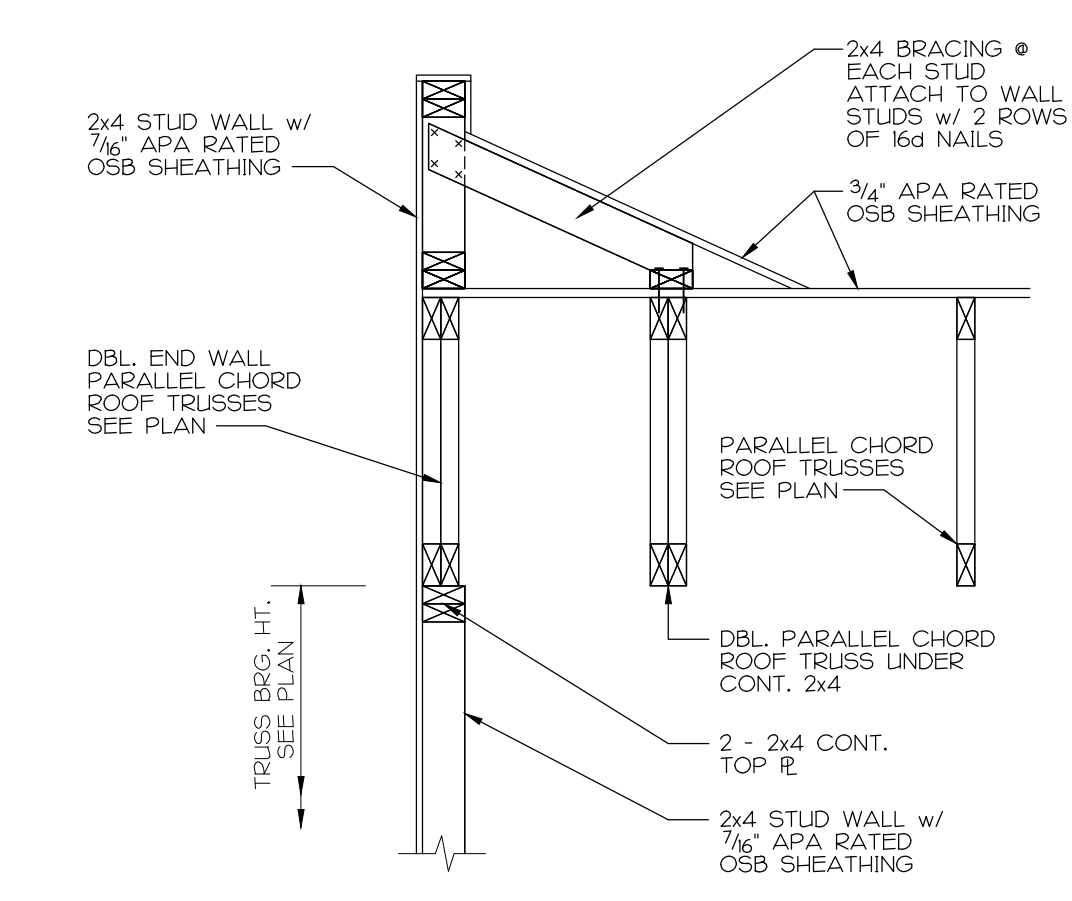
6 SECTION AT ROOF
S8.1 3/4" = 1'-0"



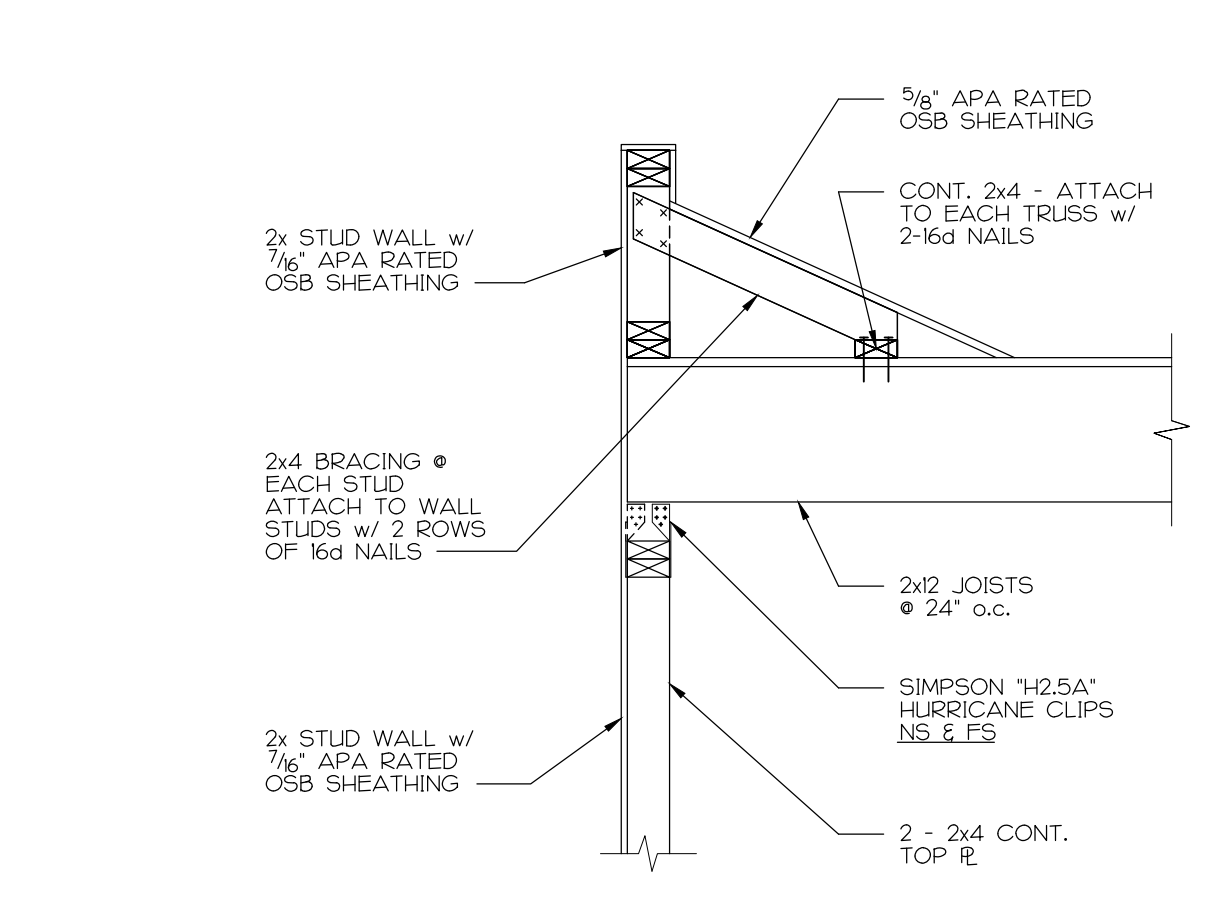
7 SECTION AT ROOF
S8.1 3/4" = 1'-0"



8 SECTION AT ROOF
S8.1 3/4" = 1'-0"



9 SECTION AT ROOF
S8.1 3/4" = 1'-0"



10 SECTION AT ROOF
S8.1 3/4" = 1'-0"

HSPA# 1805

ROOF SECTIONS AND
DETAILS

SEPTEMBER 2, 2014

S8.1