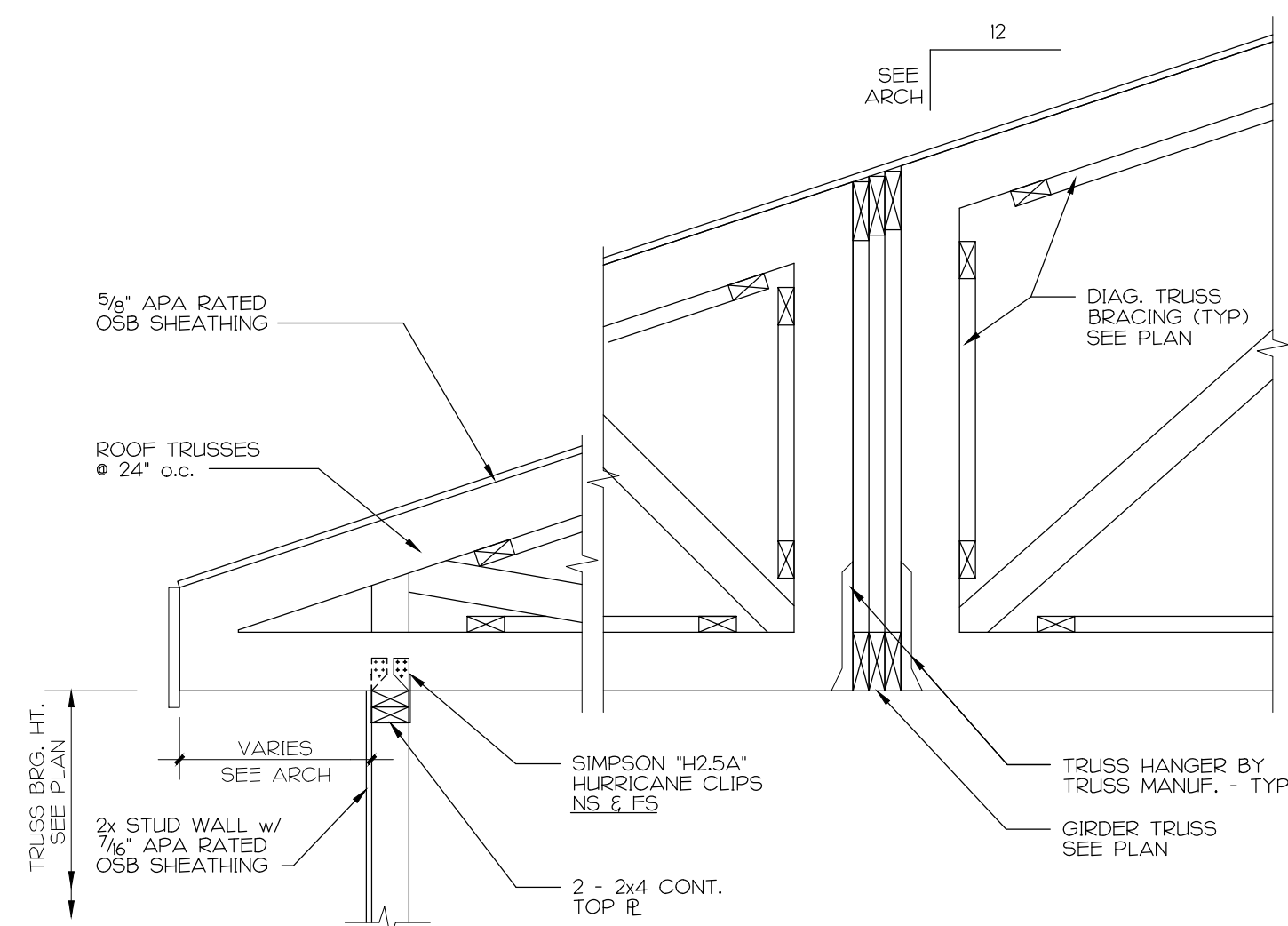
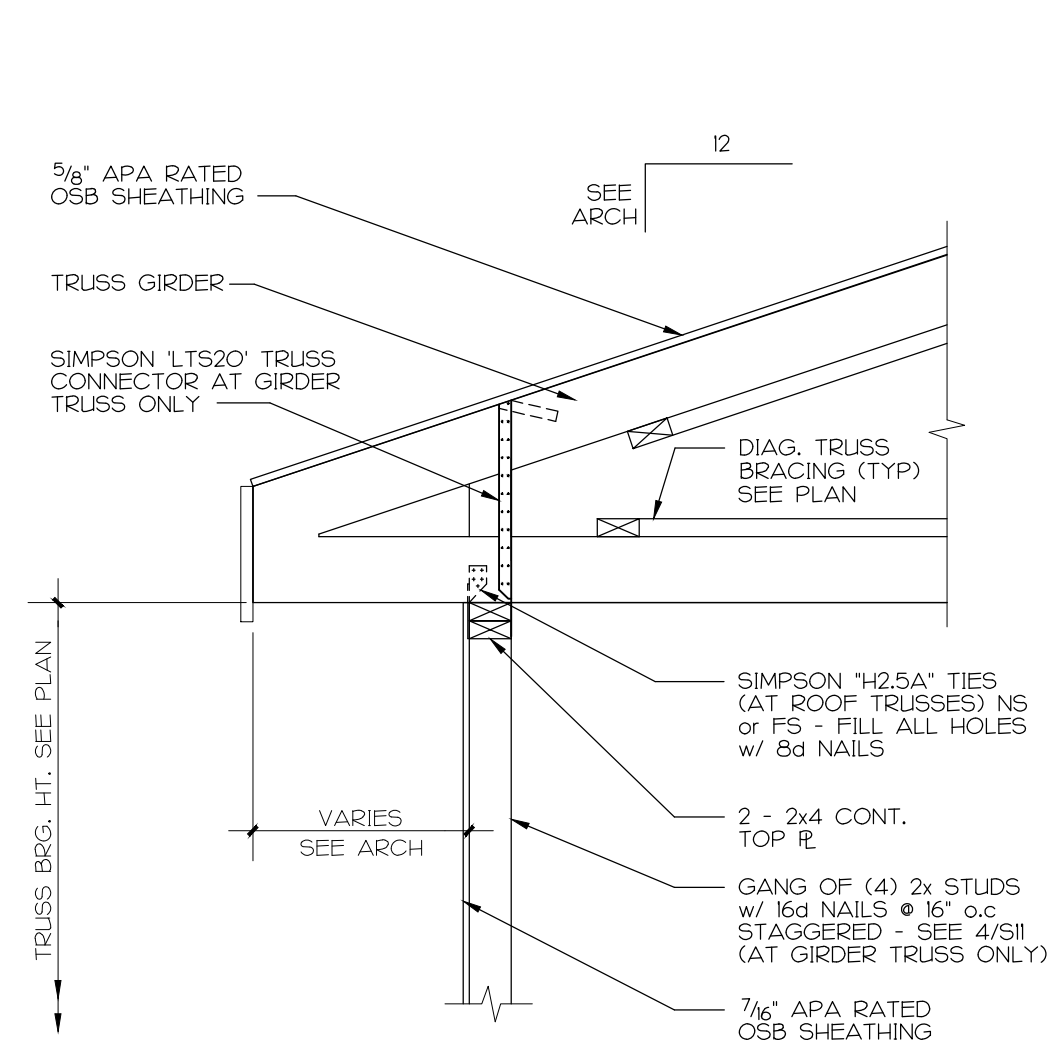


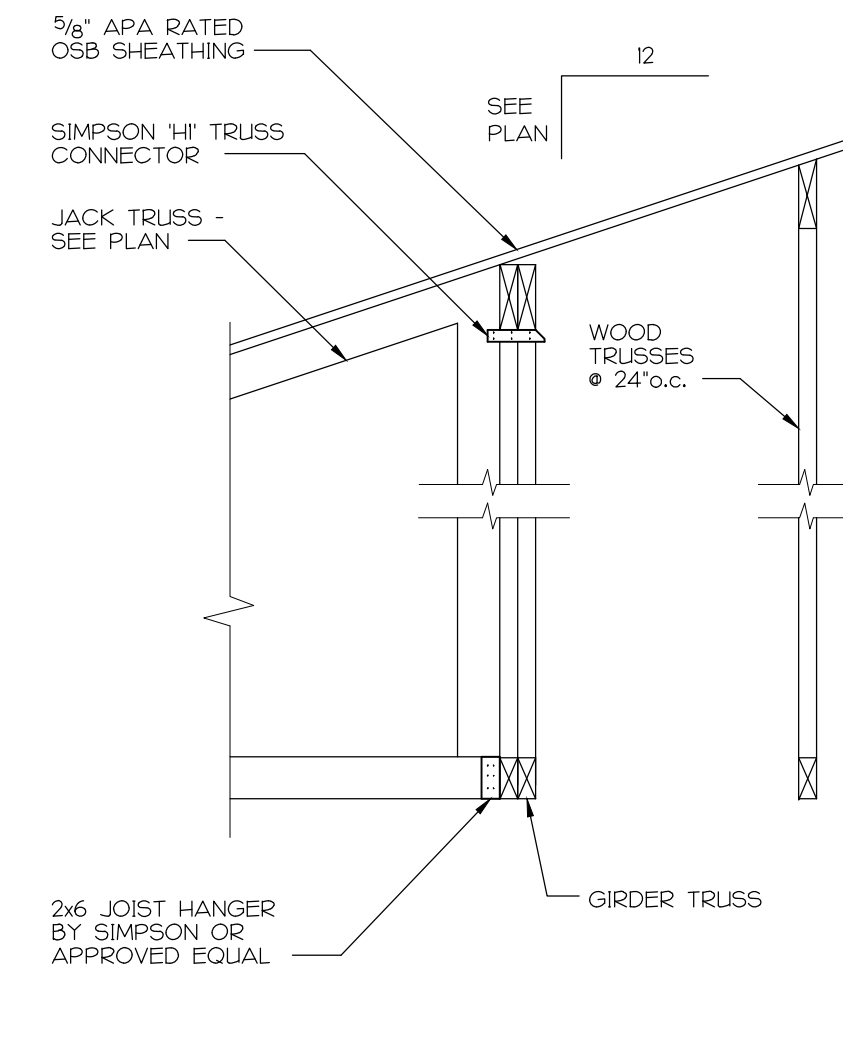
1 SECTION AT ROOF
S8.0 3/4" = 1'-0"



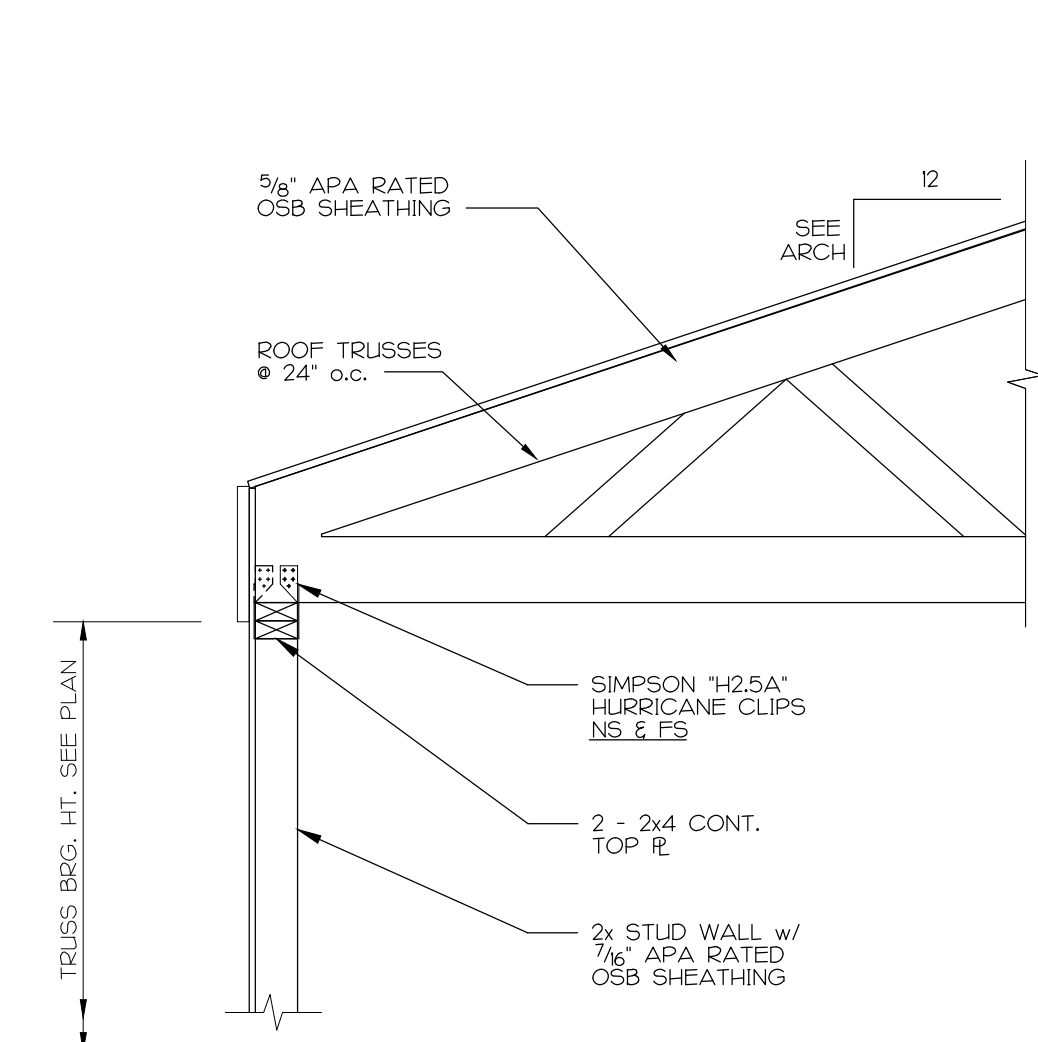
2 SECTION AT ROOF
S8.0 3/4" = 1'-0"



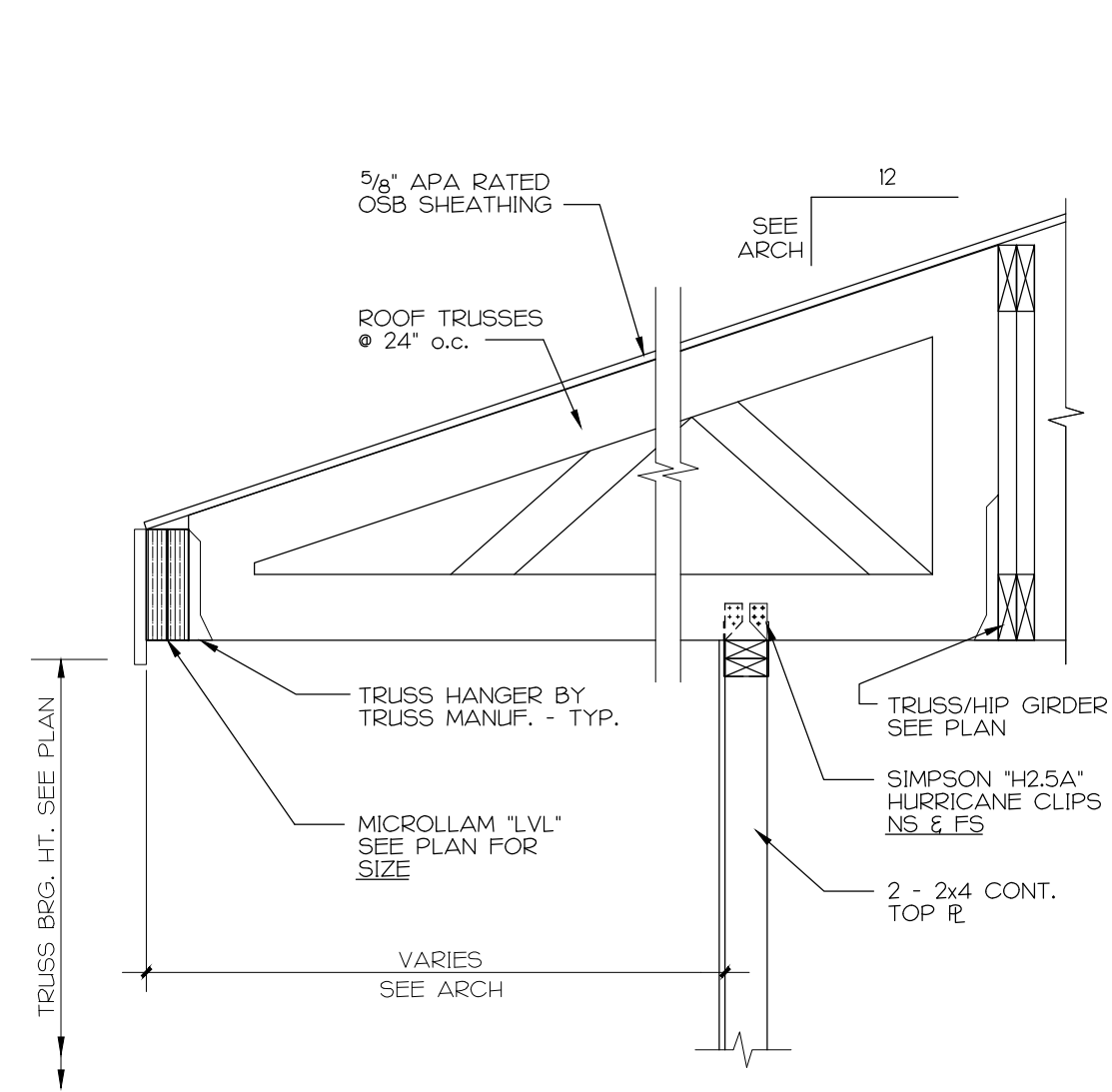
3 SECTION AT TRUSS/GIRDER TRUSS
S8.0 3/4" = 1'-0"



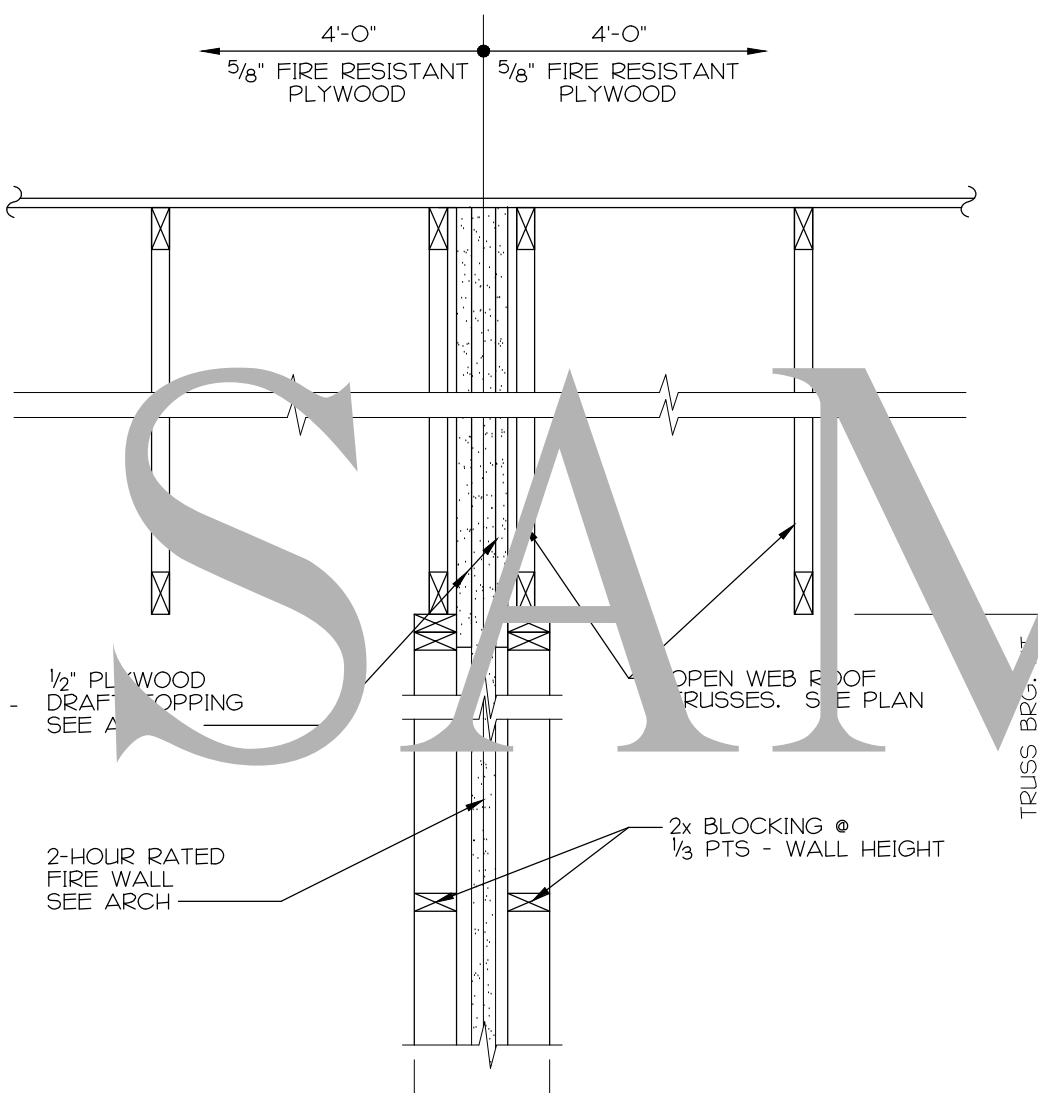
4 HIP GIRDER JACK TRUSS CONN.
S8.0 3/4" = 1'-0"



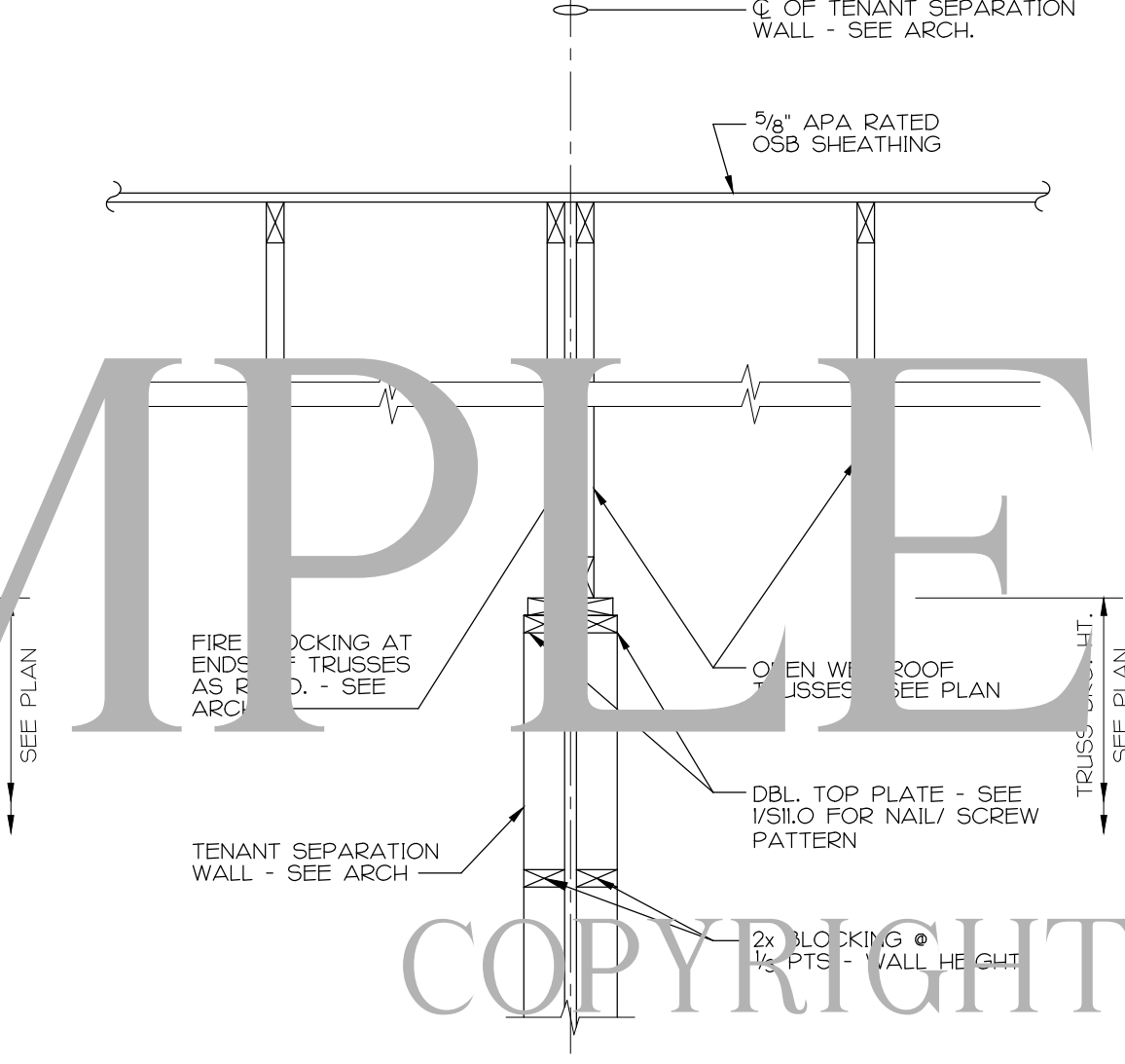
5 SECTION AT ROOF
S8.0 3/4" = 1'-0"



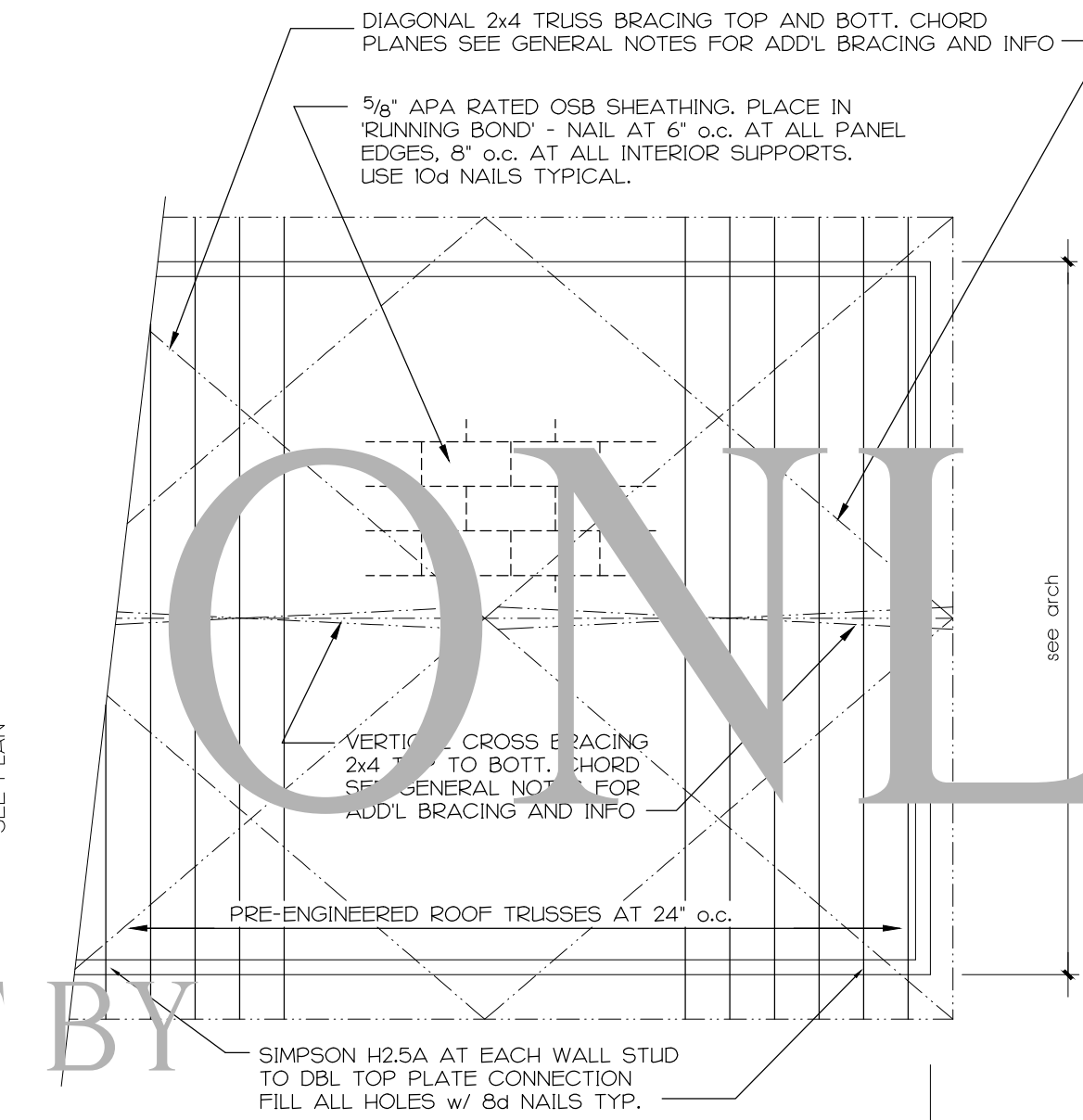
6 SECTION AT ROOF
S8.0 3/4" = 1'-0"



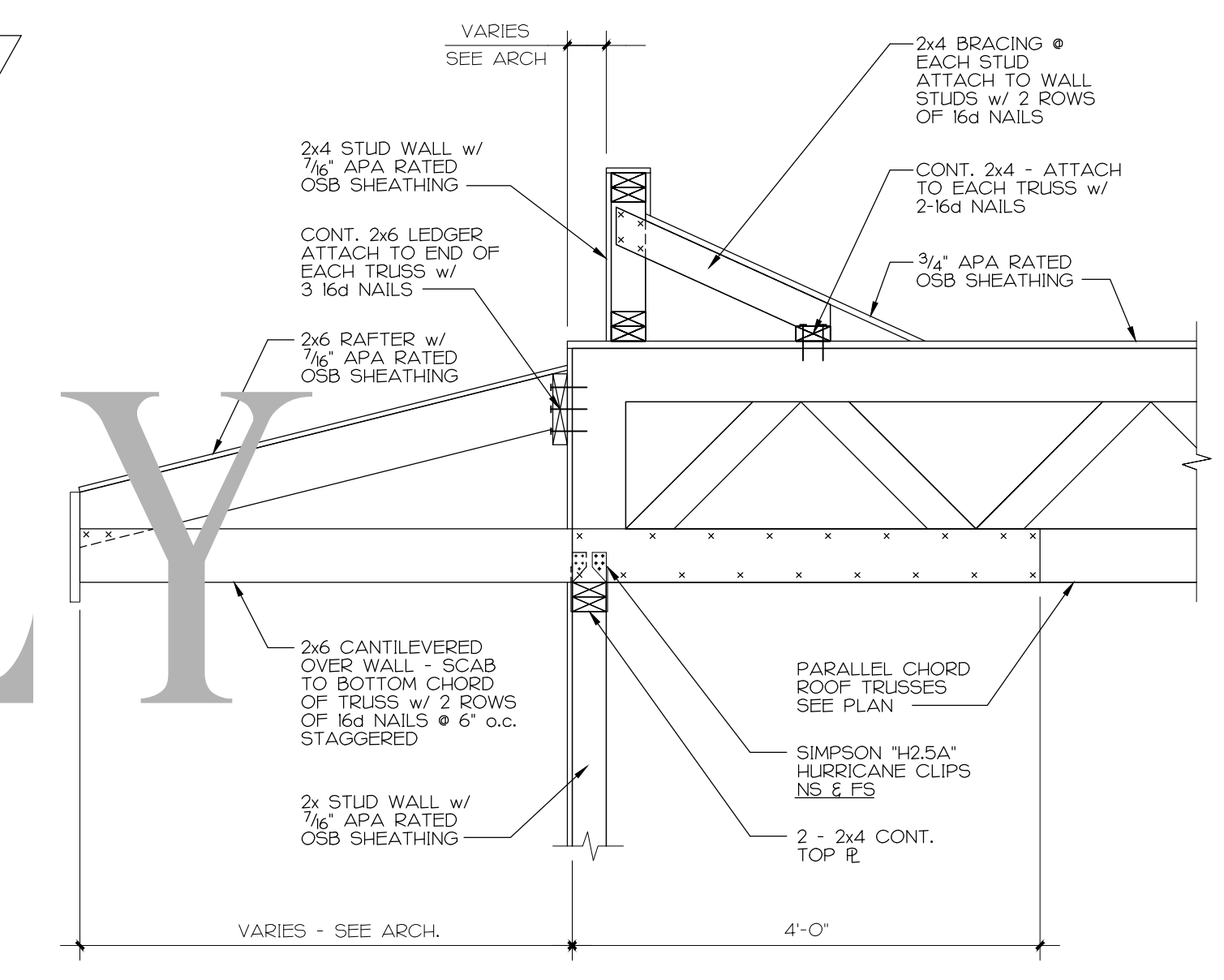
7 FIREWALL SECTION AT ROOF
S8.0 3/4" = 1'-0"



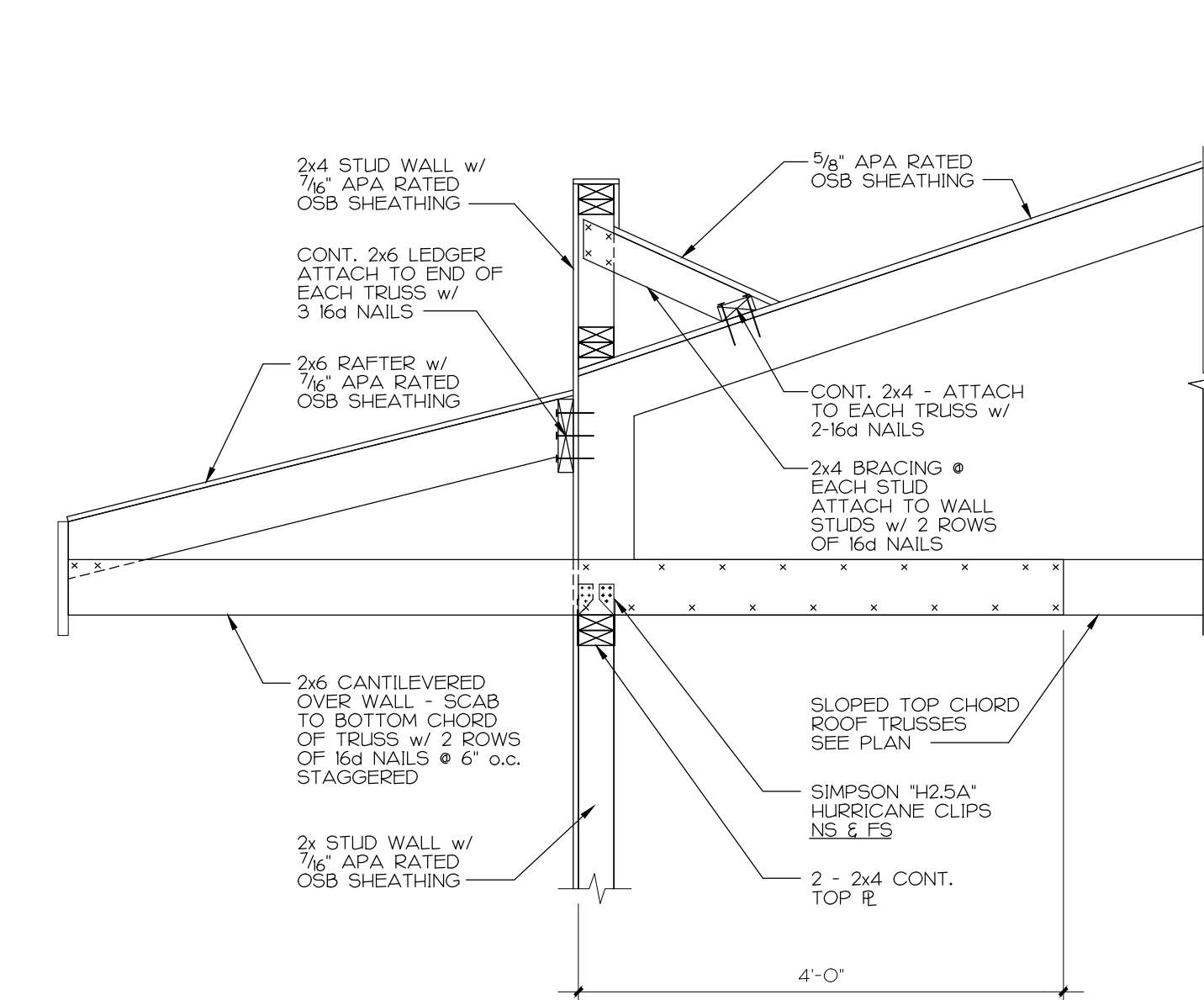
8 TENANT SEPARATION SECTION AT ROOF
S8.0 3/4" = 1'-0"



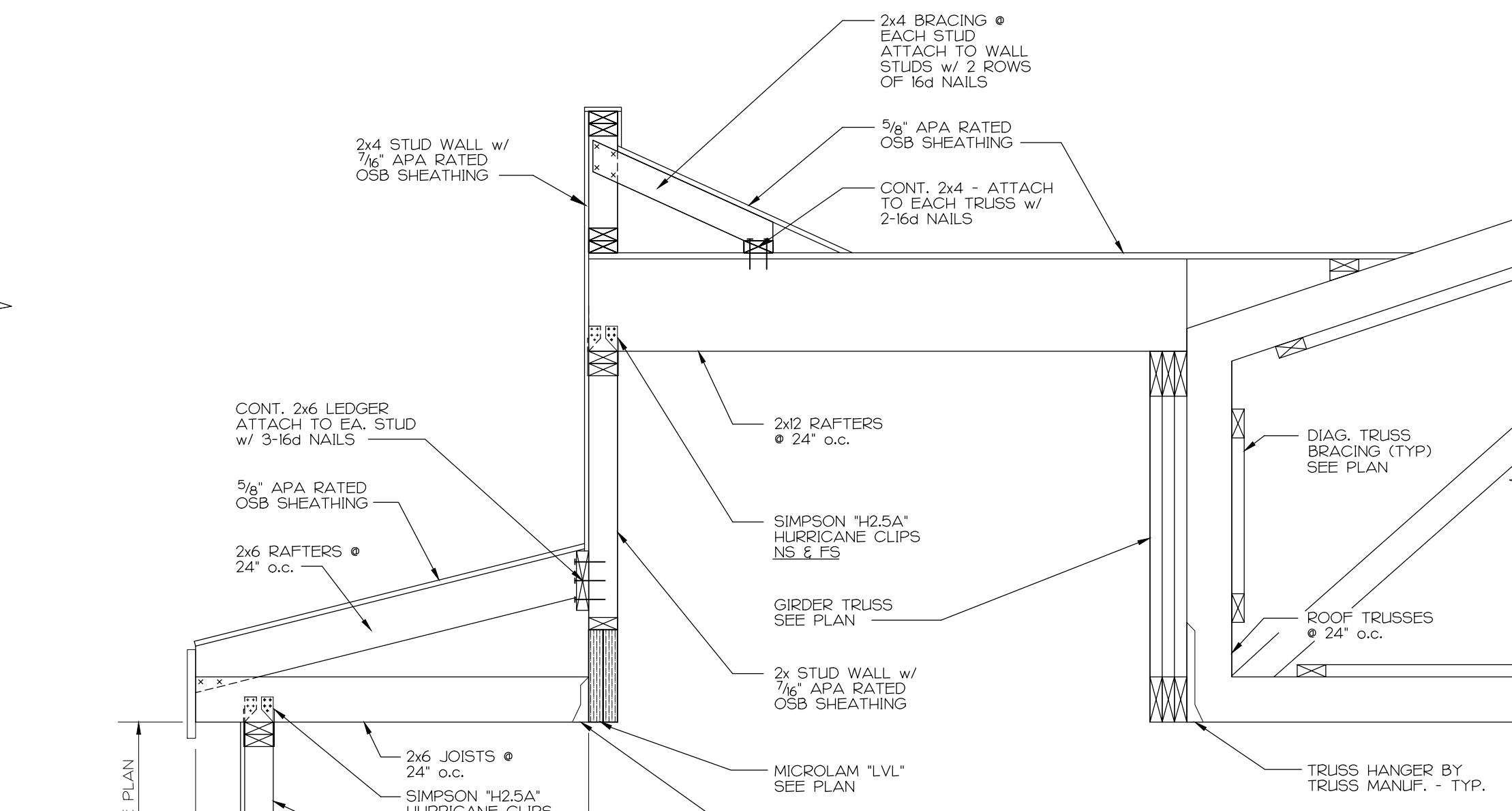
9 TYPICAL ROOF BRACING PLAN
S8.0 NO SCALE



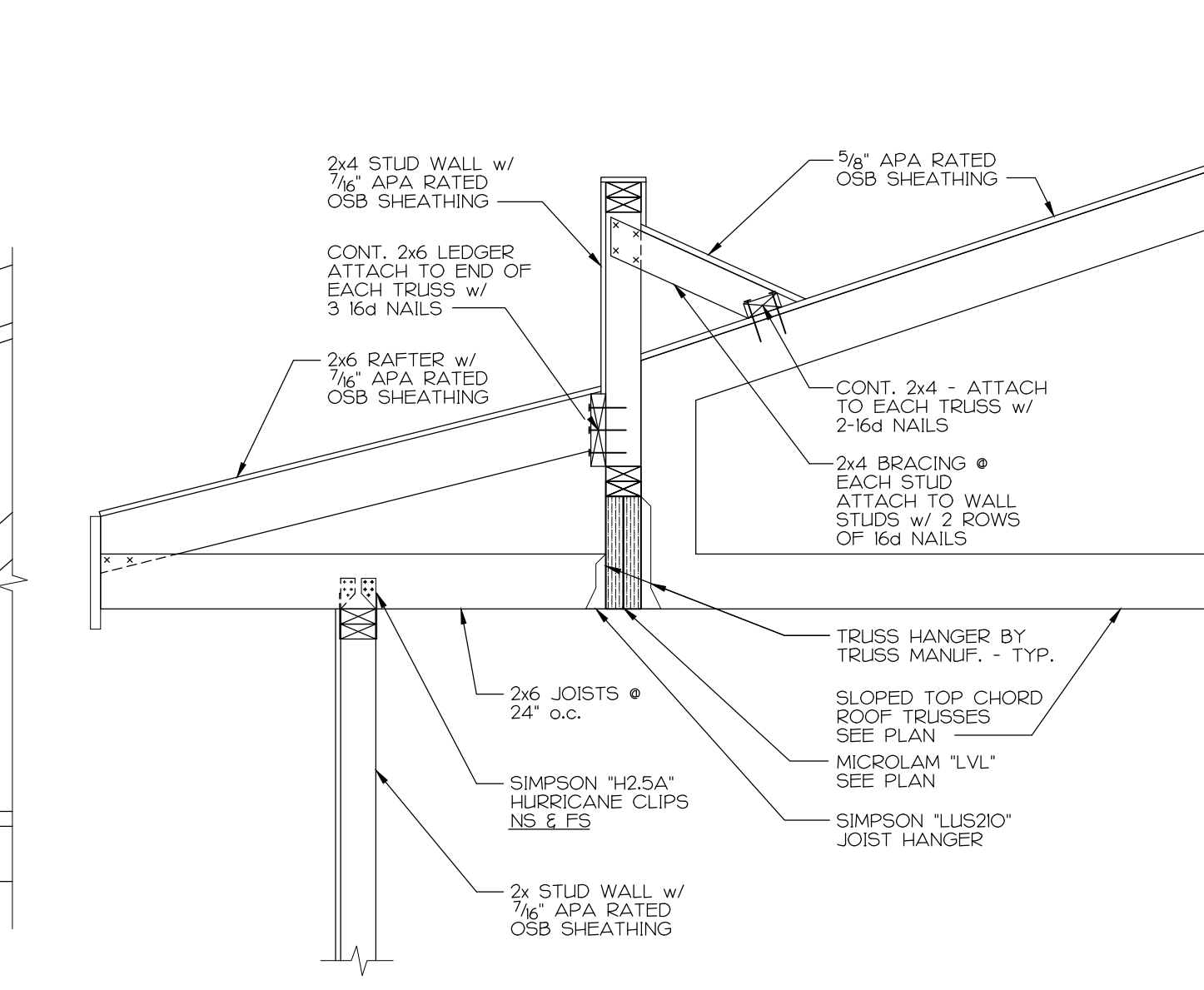
10 SECTION AT ROOF
S8.0 3/4" = 1'-0"



11 SECTION AT ROOF
S8.0 3/4" = 1'-0"



12 SECTION AT ROOF
S8.0 3/4" = 1'-0"



13 SECTION AT ROOF
S8.0 3/4" = 1'-0"

PRELIMINARY
COORDINATION ONLY
NOT FOR CONSTRUCTION

SAMPLE ONLY
COPYRIGHT BY
CREATIVE CONCEPTS AND DESIGN, INC.

HSPA# 1805

ROOF SECTIONS AND
DETAILS

SEPTEMBER 2, 2014

S8.0