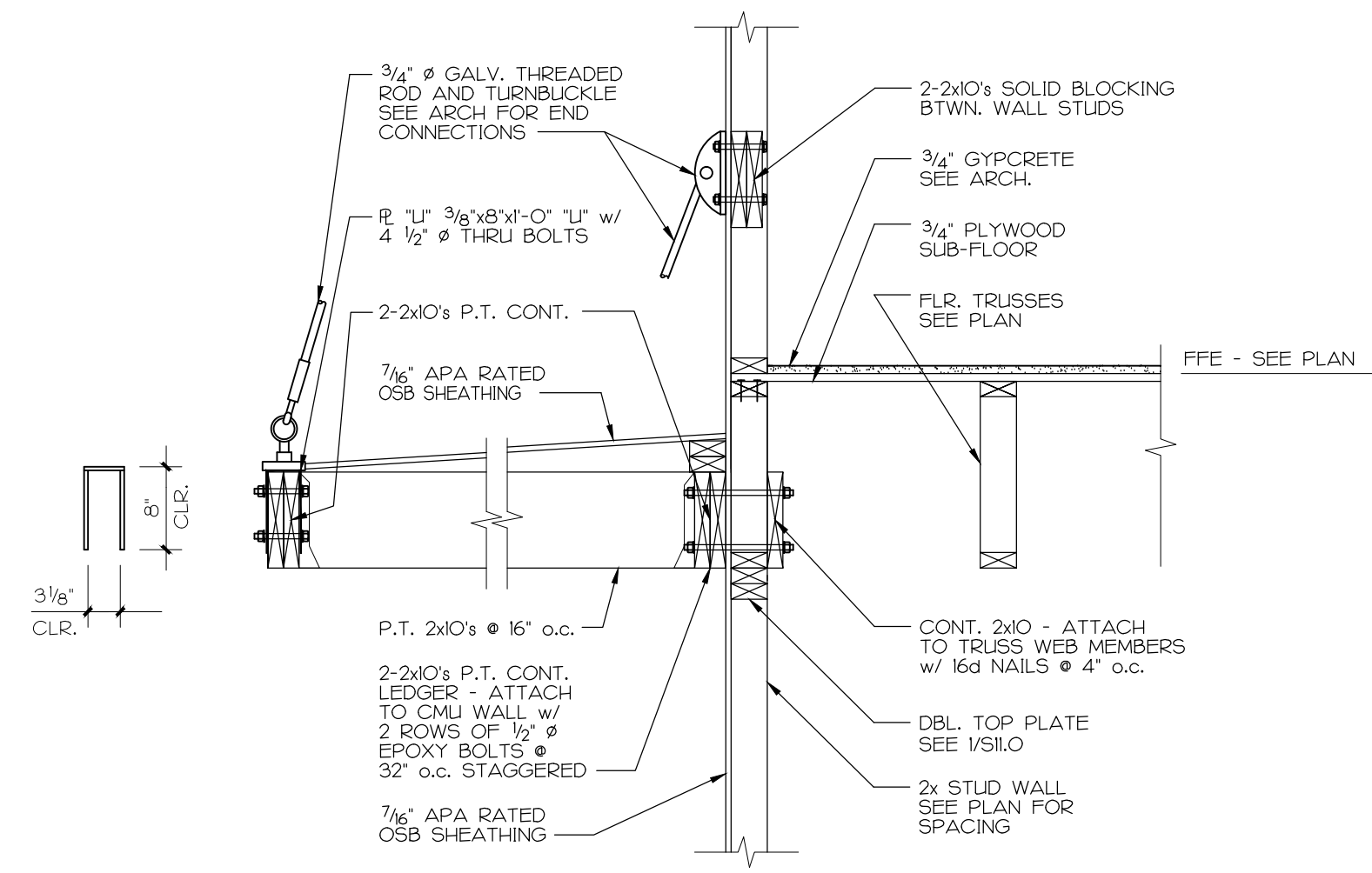
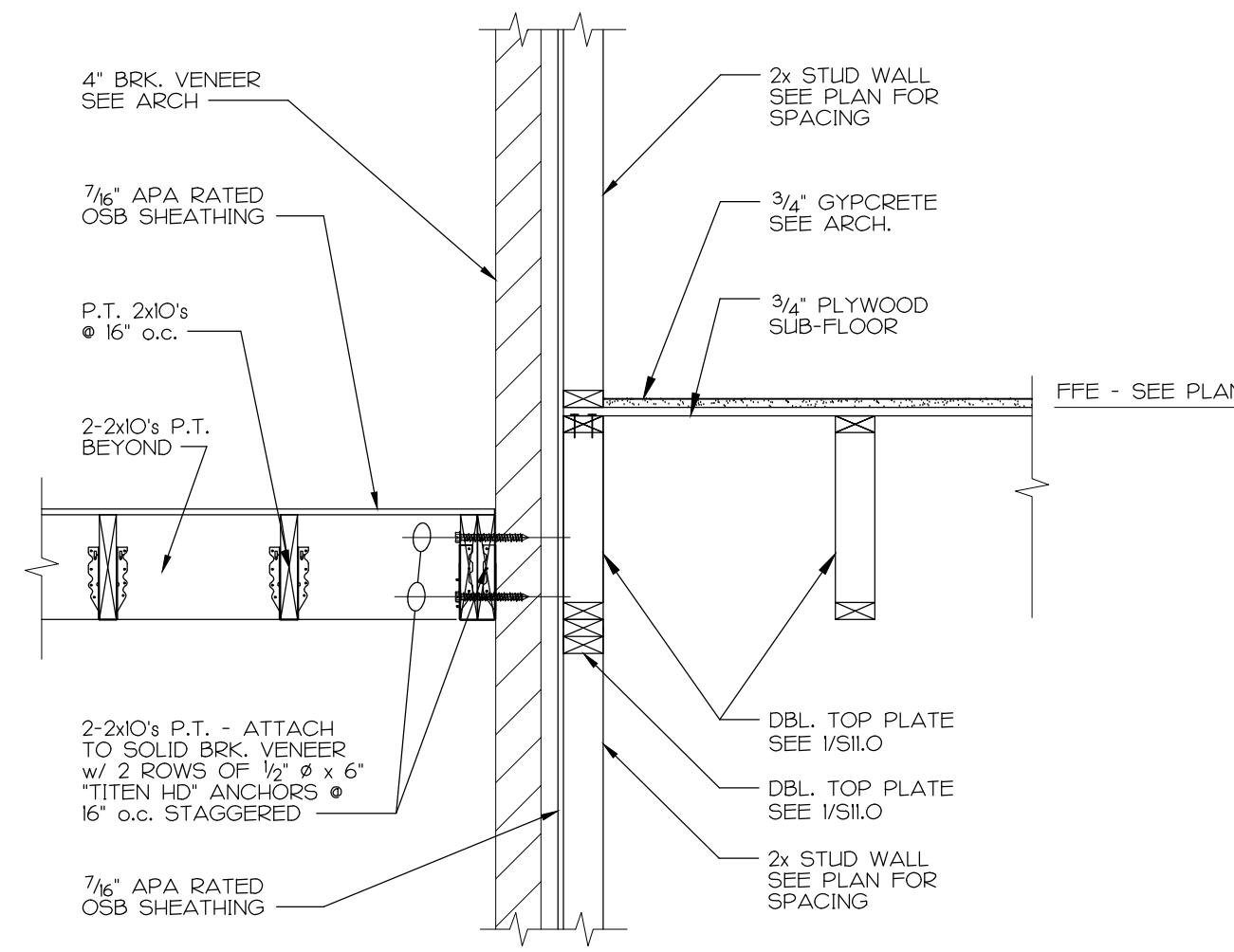


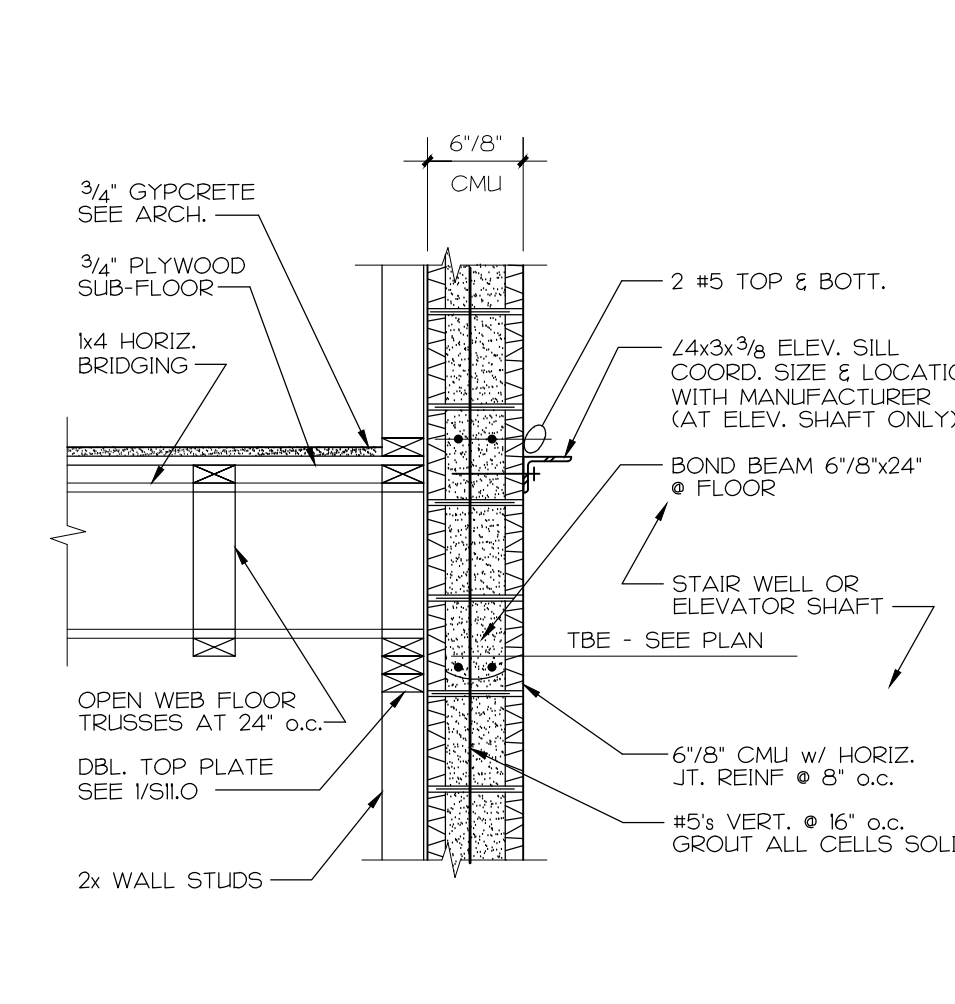
1 SECTION
S7.1 3/4" = 1'-0"



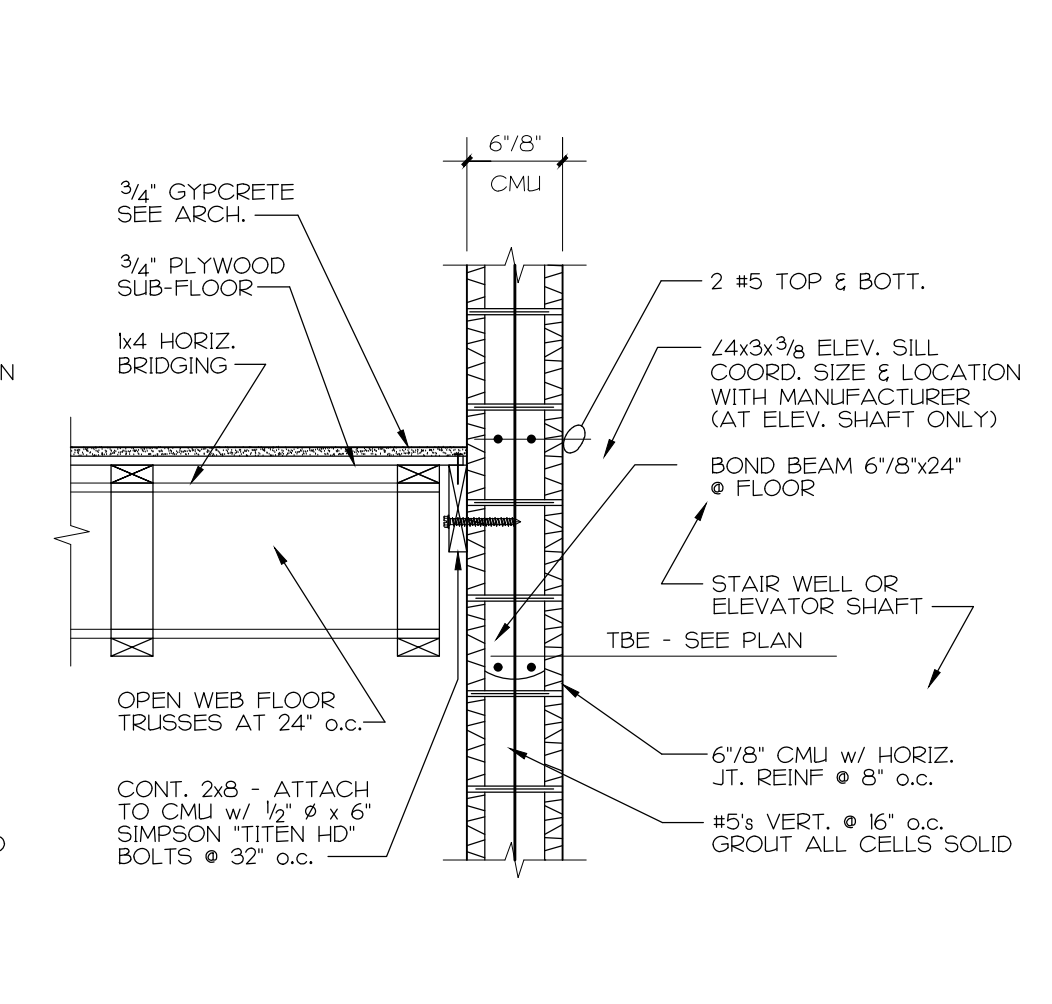
2 SECTION
S7.1 3/4" = 1'-0"



3 SECTION
S7.1 3/4" = 1'-0"

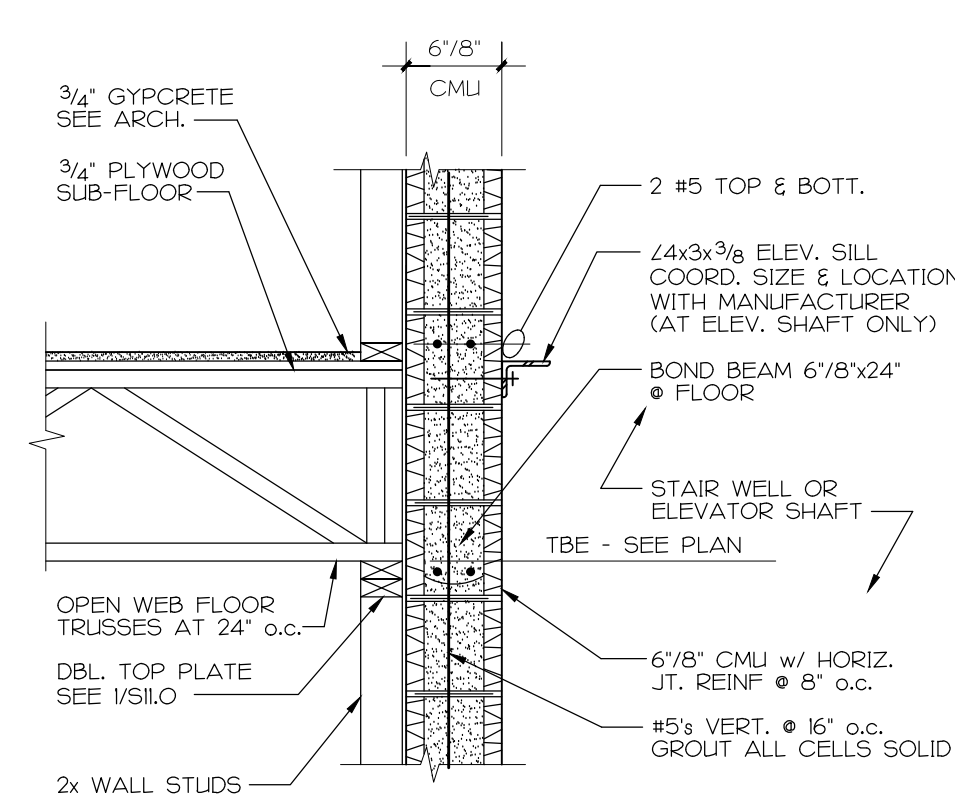


4 SECTION AT STAIR/
S7.1 3/4" = 1'-0" ELEVATOR

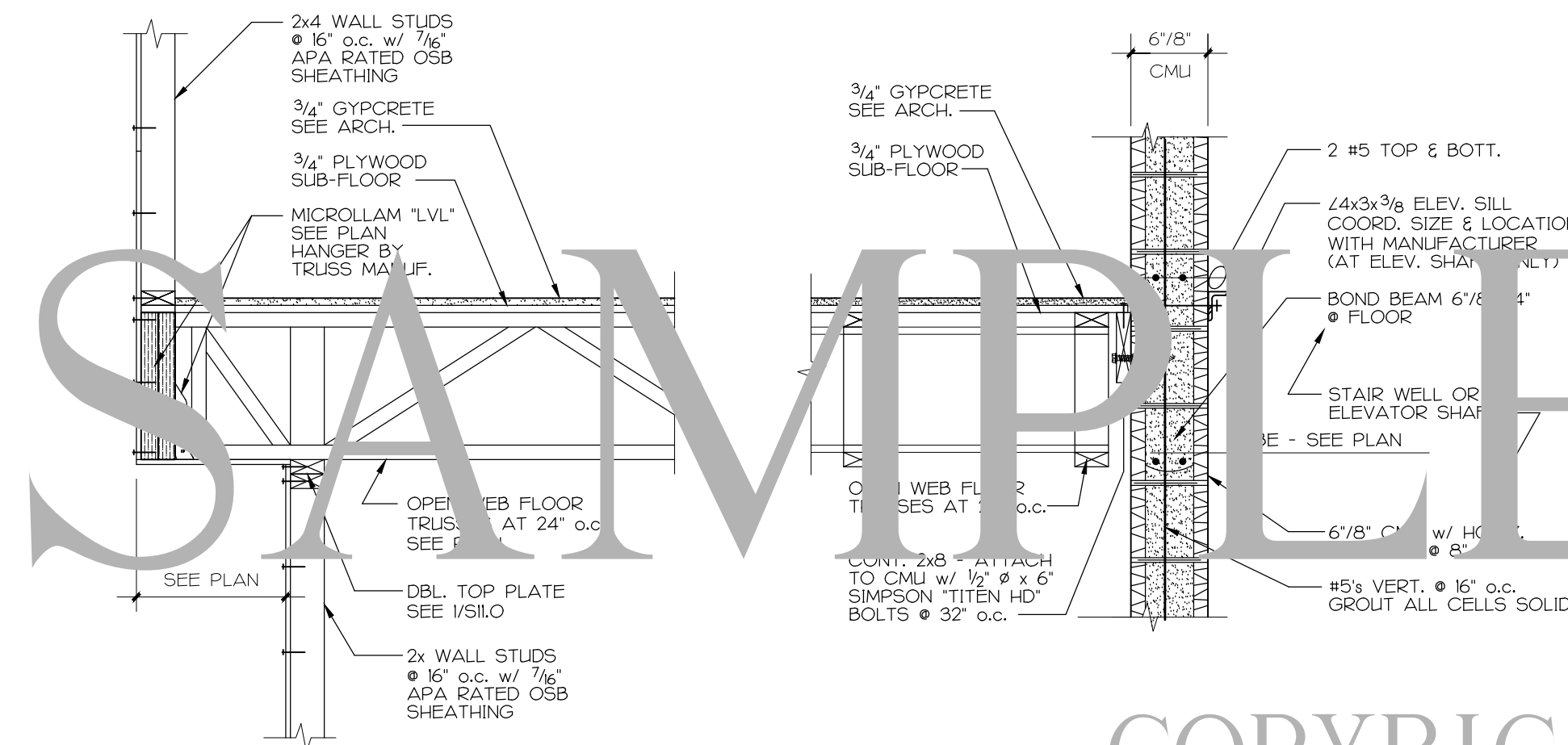


5 SECTION AT STAIR
S7.1 3/4" = 1'-0"

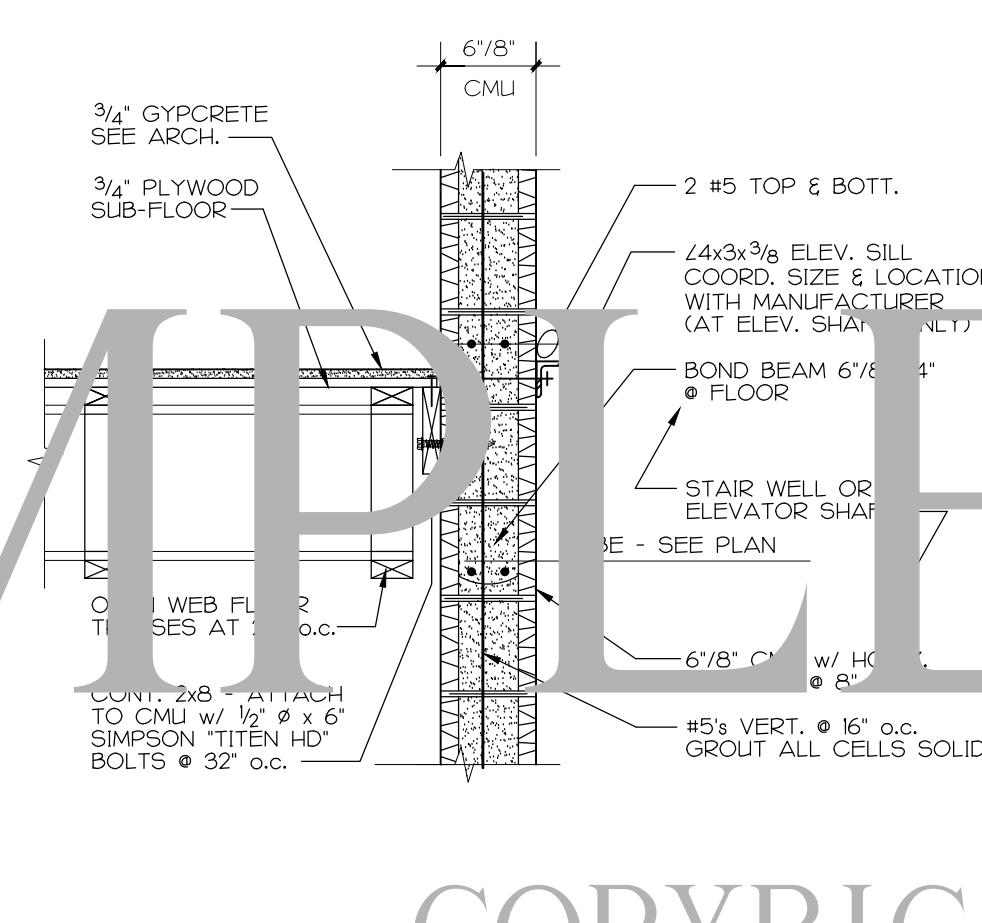
PRELIMINARY
COORDINATION ONLY
NOT FOR CONSTRUCTION



6 SECTION AT STAIR/
S7.1 3/4" = 1'-0" ELEVATOR



7 SECTION AT FLOOR
S7.1 3/4" = 1'-0"



8 SECTION AT STAIR/
S7.1 3/4" = 1'-0" ELEVATOR

SAMPLE ONLY

COPYRIGHT BY
STAIR
CREATIVE CONCEPTS AND DESIGN, INC.