

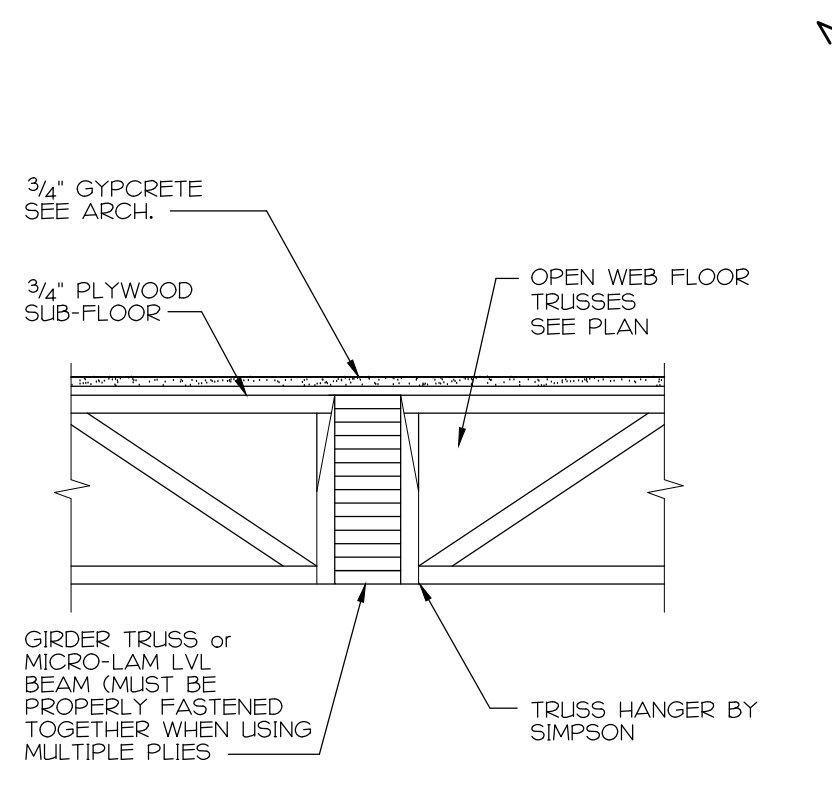
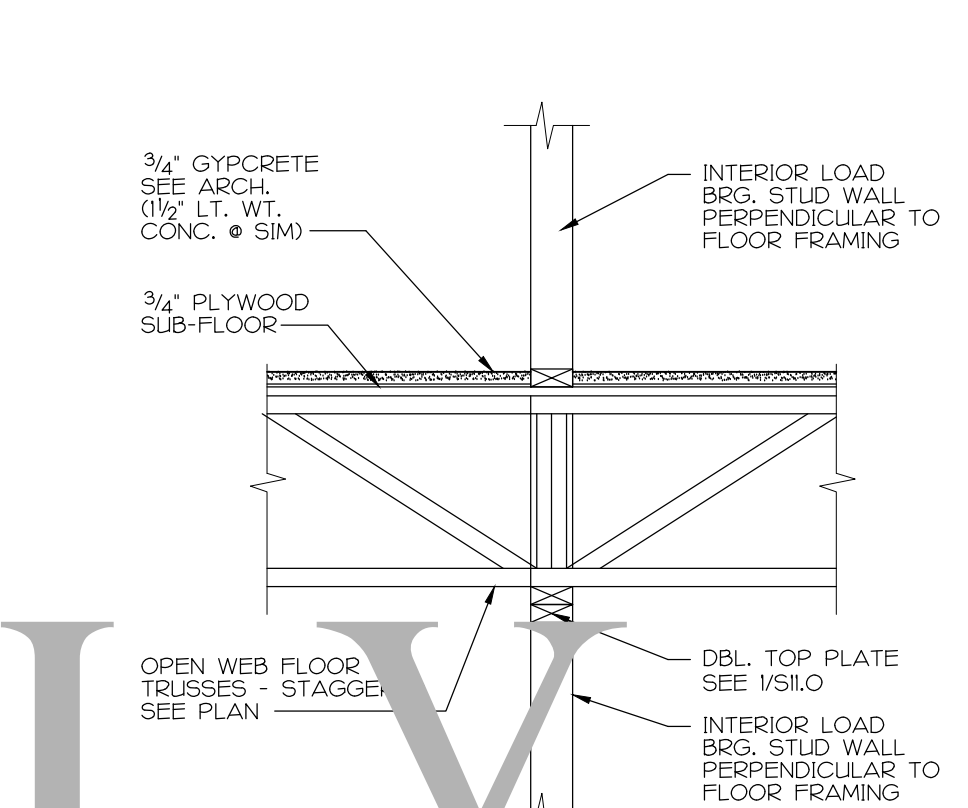
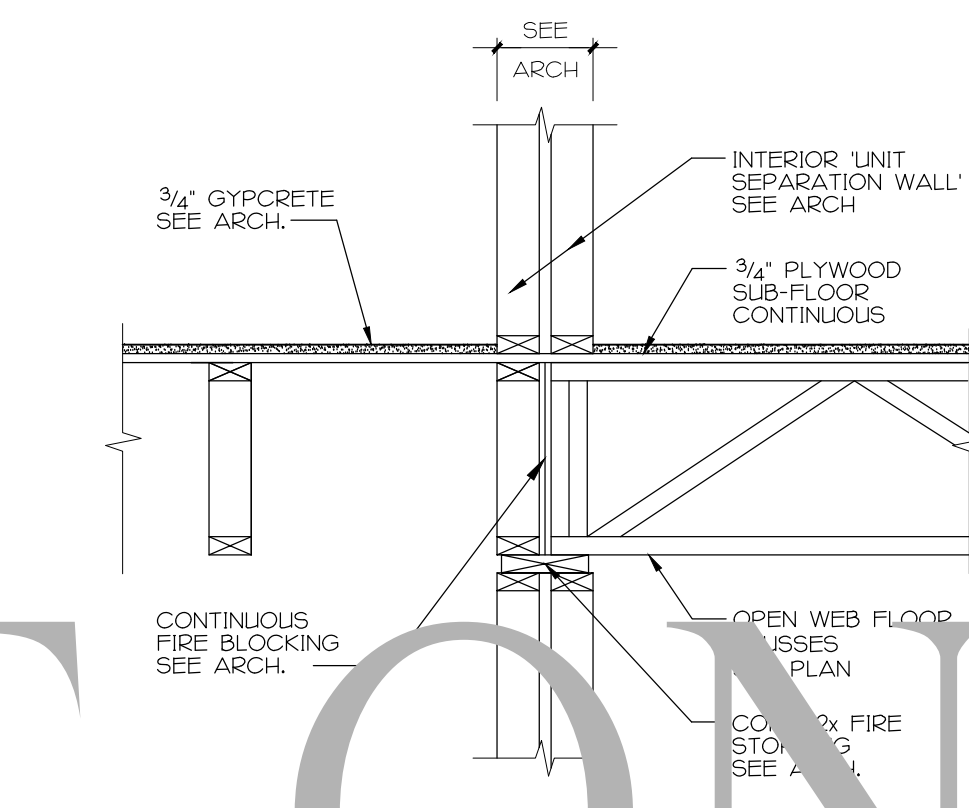
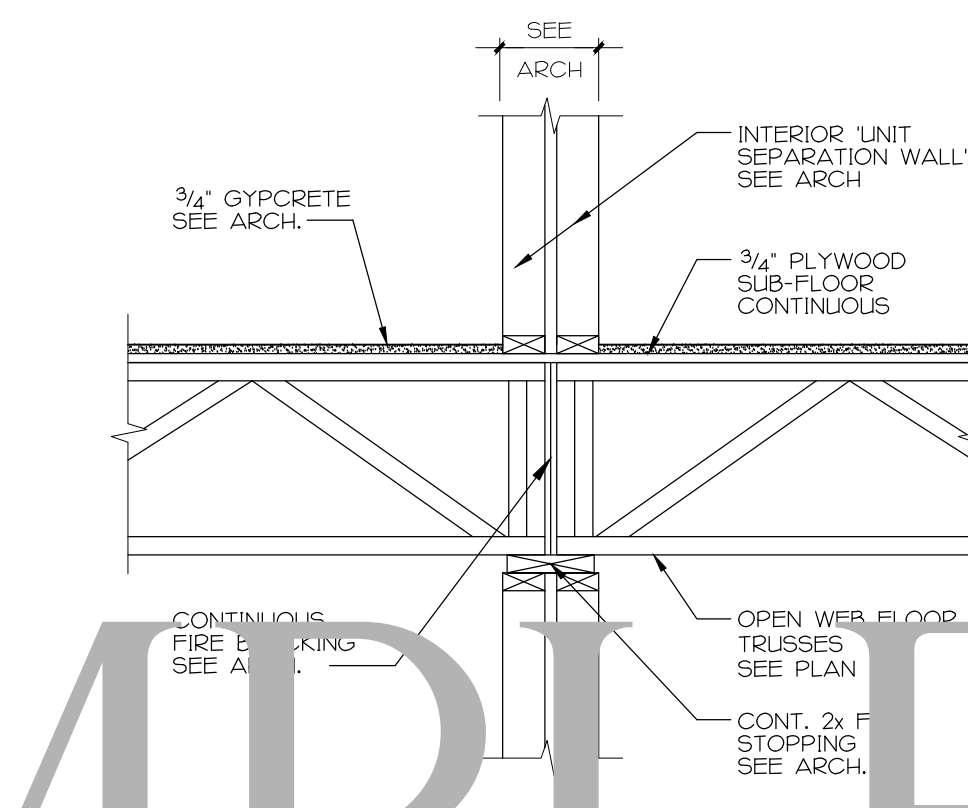
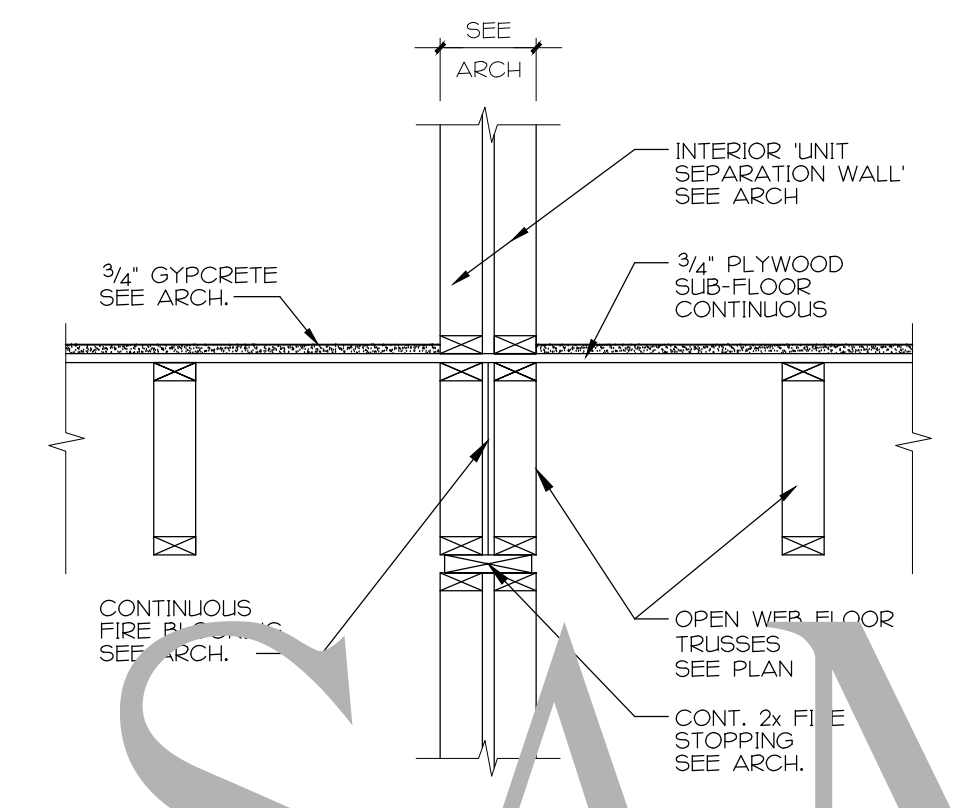
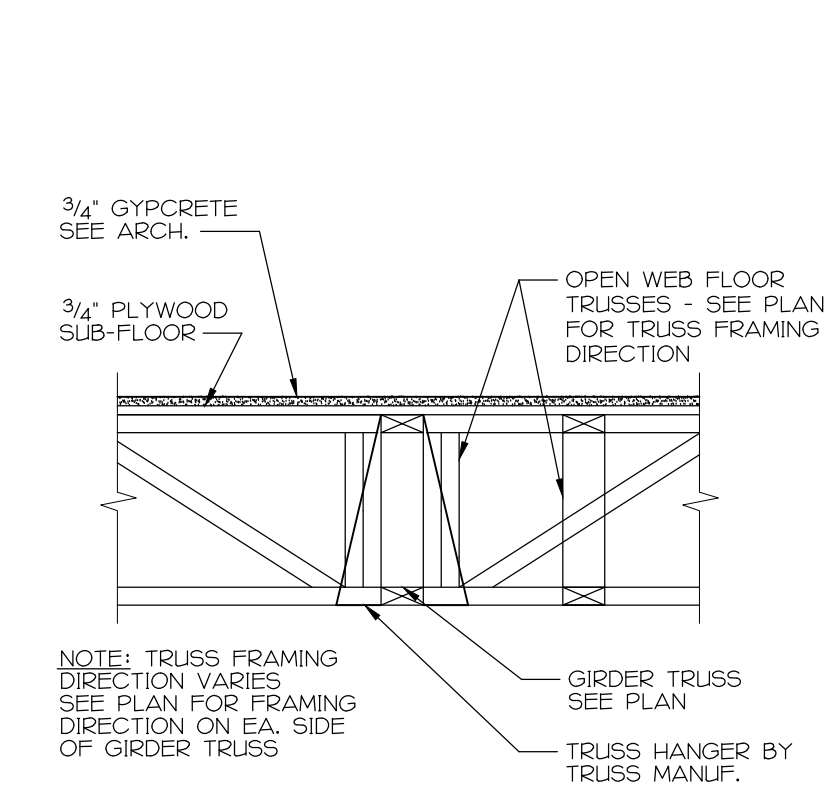
SECTION 1
S7.0 3/4" - 1'-0"

SECTION 2
S7.0 3/4" - 1'-0"

SECTION 3
S7.0 3/4" - 1'-0"

SECTION 4
S7.0 3/4" - 1'-0"

SECTION 5
S7.0 3/4" - 1'-0"



TYPICAL GIRDER TRUSS CONNECTION
SECTION 6
S7.0 3/4" - 1'-0"

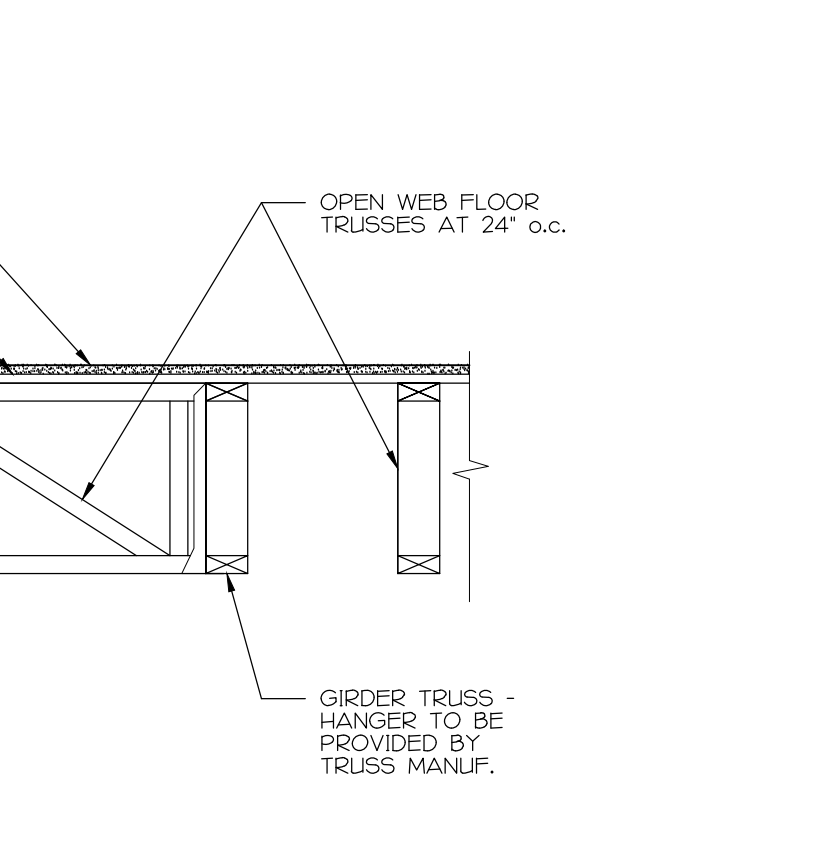
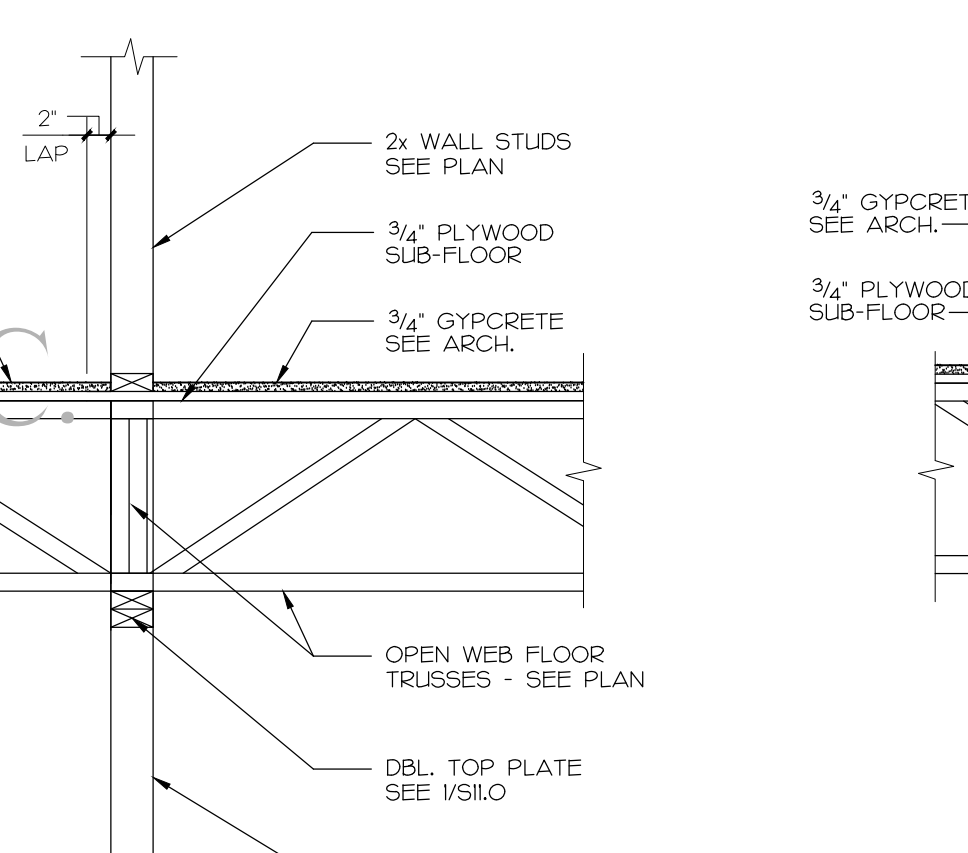
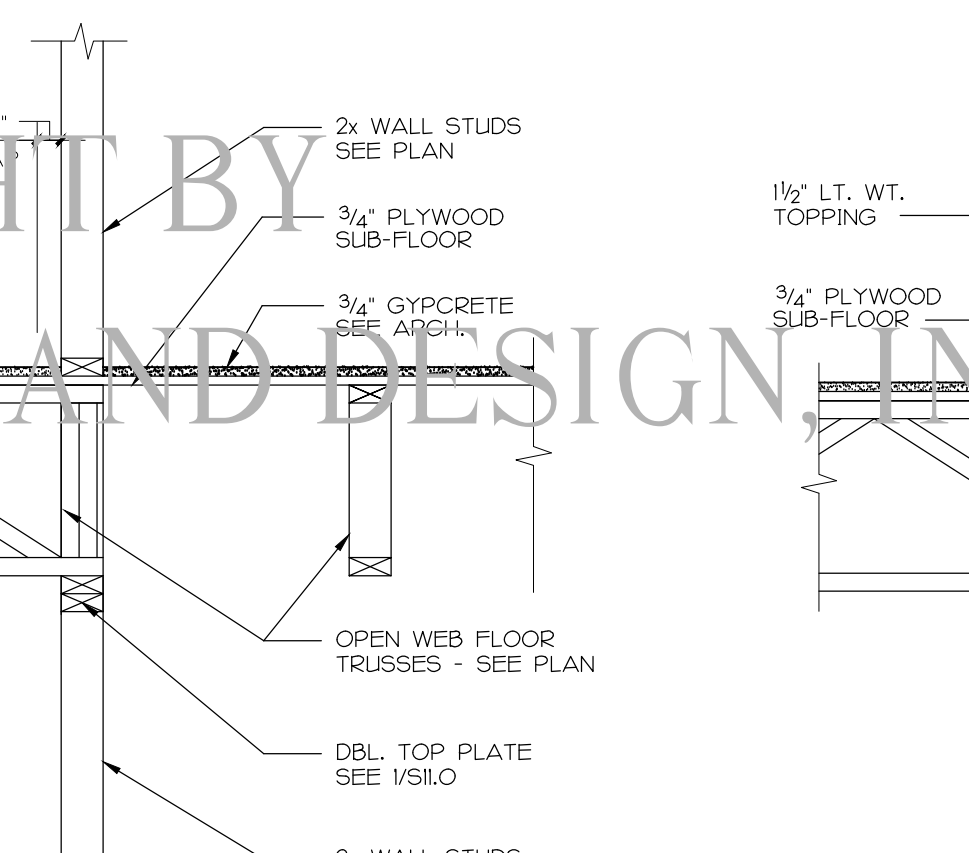
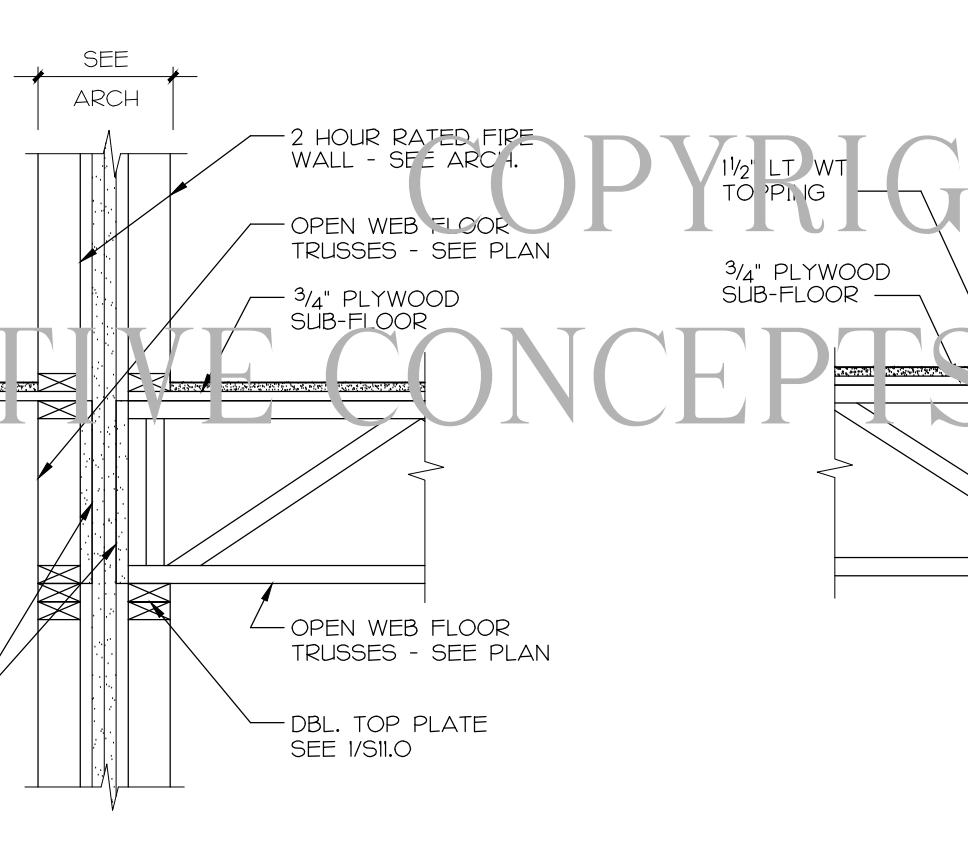
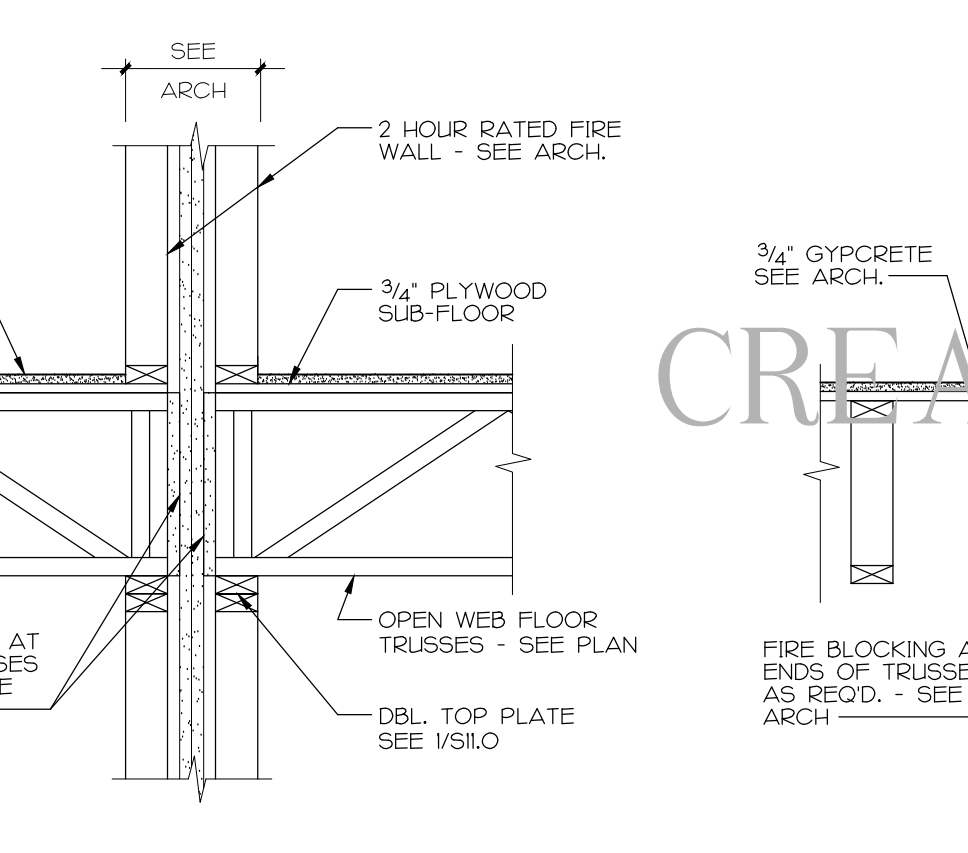
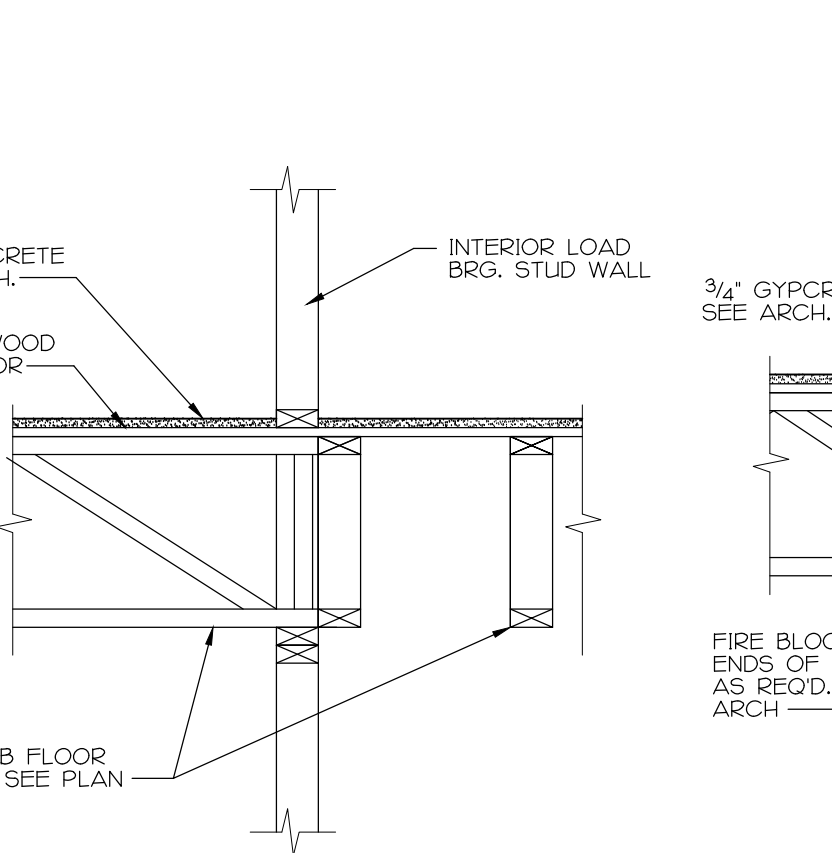
SECTION 7
S7.0 3/4" - 1'-0"

SECTION 8
S7.0 3/4" - 1'-0"

SECTION 9
S7.0 3/4" - 1'-0"

SECTION 10
S7.0 3/4" - 1'-0"

SECTION 11
S7.0 3/4" - 1'-0"



SECTION 12
S7.0 3/4" - 1'-0"

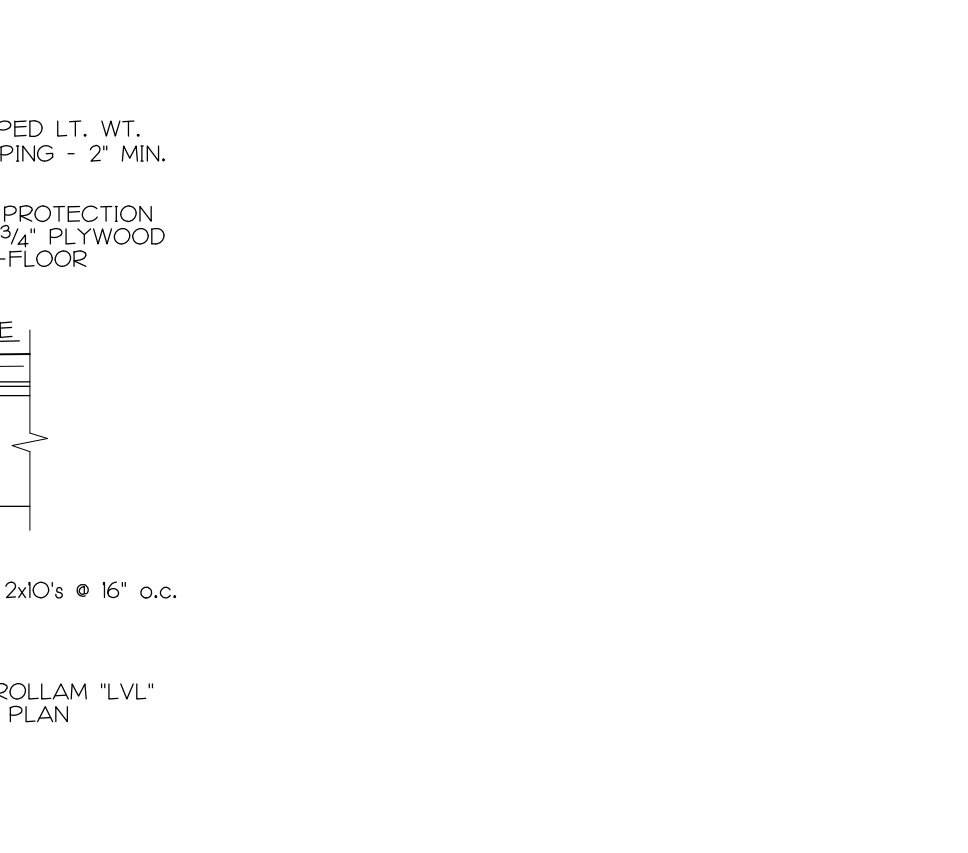
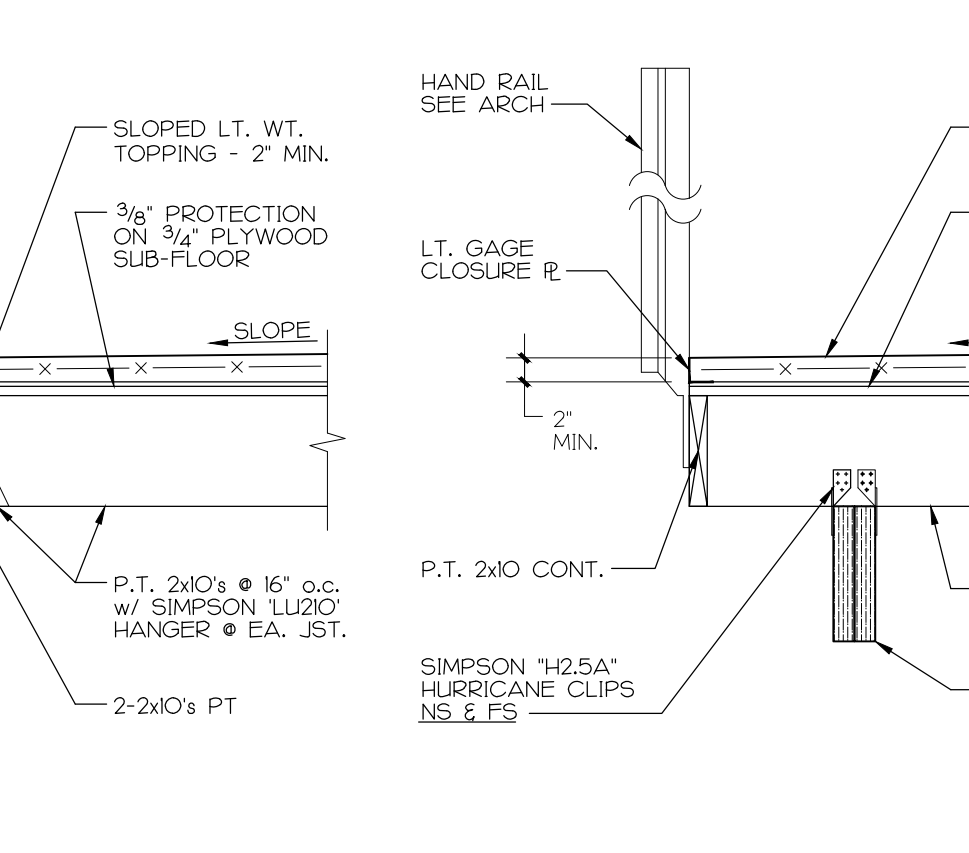
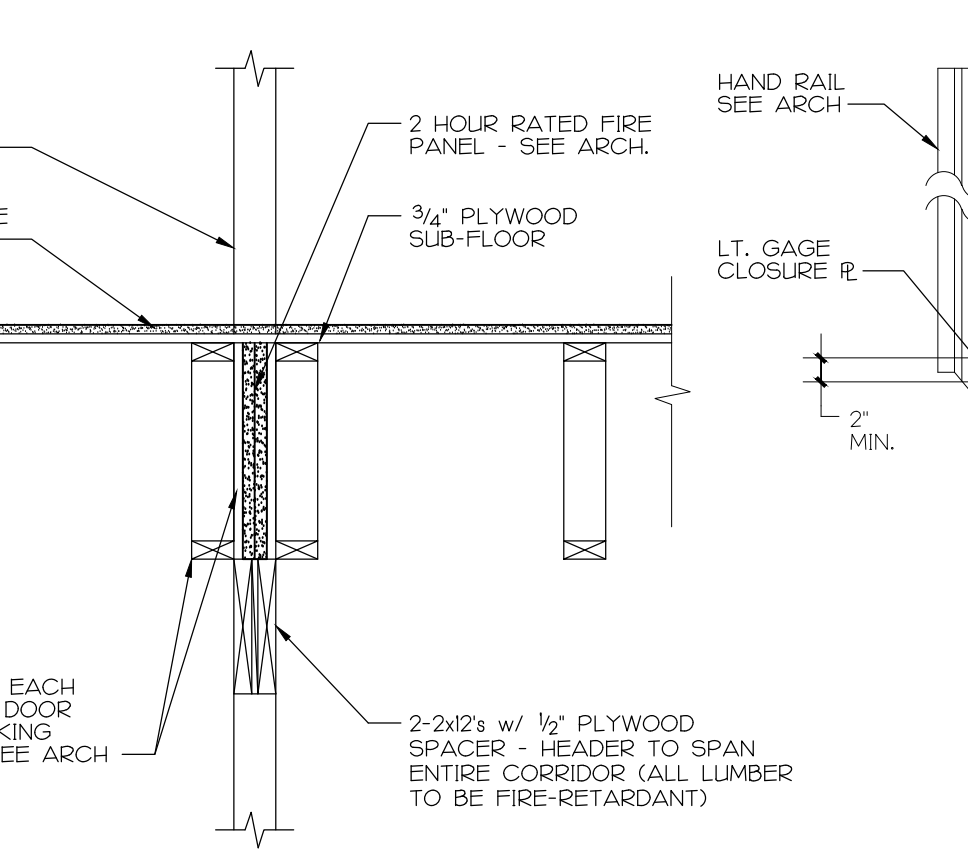
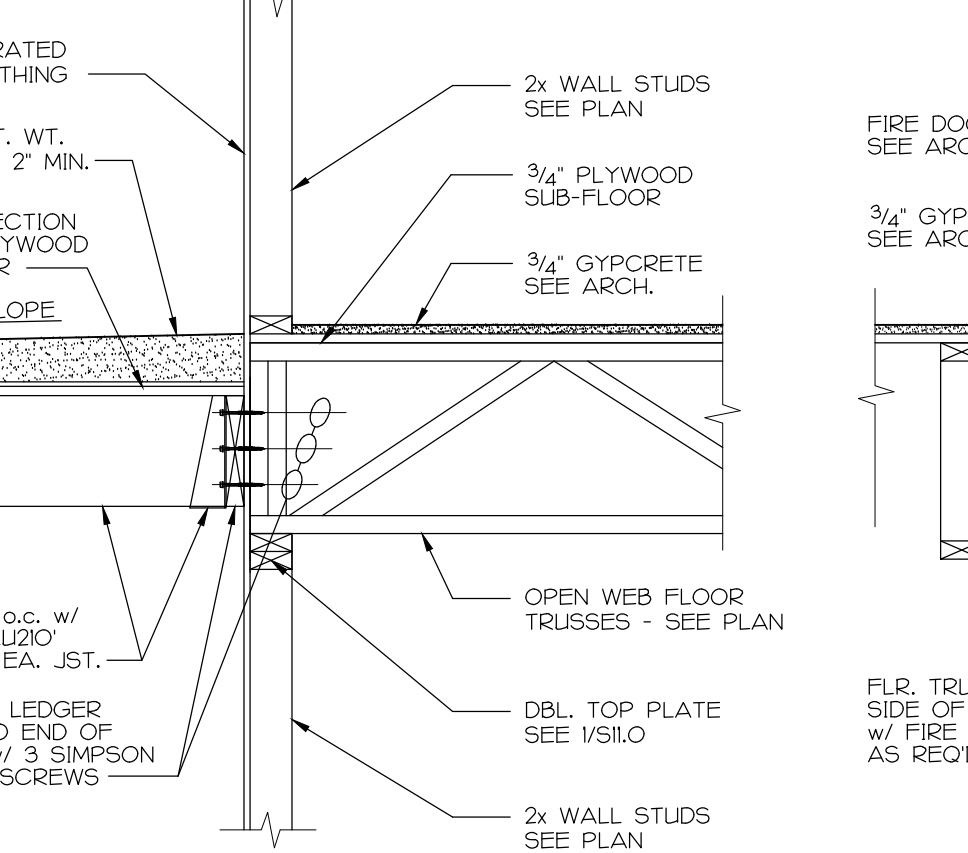
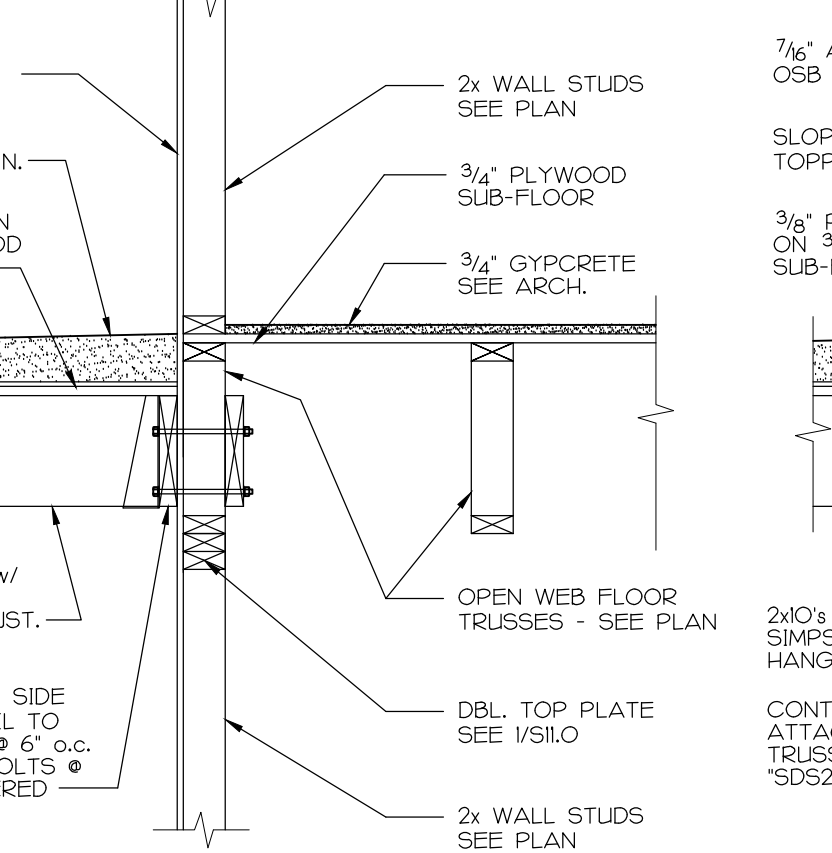
SECTION 13
S7.0 3/4" - 1'-0"

SECTION 14
S7.0 3/4" - 1'-0"

SECTION 15
S7.0 3/4" - 1'-0"

SECTION 16
S7.0 3/4" - 1'-0"

SECTION 17
S7.0 3/4" - 1'-0"



SECTION 18
S7.0 3/4" - 1'-0"

SECTION 19
S7.0 3/4" - 1'-0"

SECTION 20
S7.0 3/4" - 1'-0"

SECTION 21
S7.0 3/4" - 1'-0"

SECTION 22
S7.0 3/4" - 1'-0"

SAMPLE ONLY

COPYRIGHT BY CREATIVE CONCEPTS AND DESIGN, INC.

PRELIMINARY COORDINATION ONLY NOT FOR CONSTRUCTION