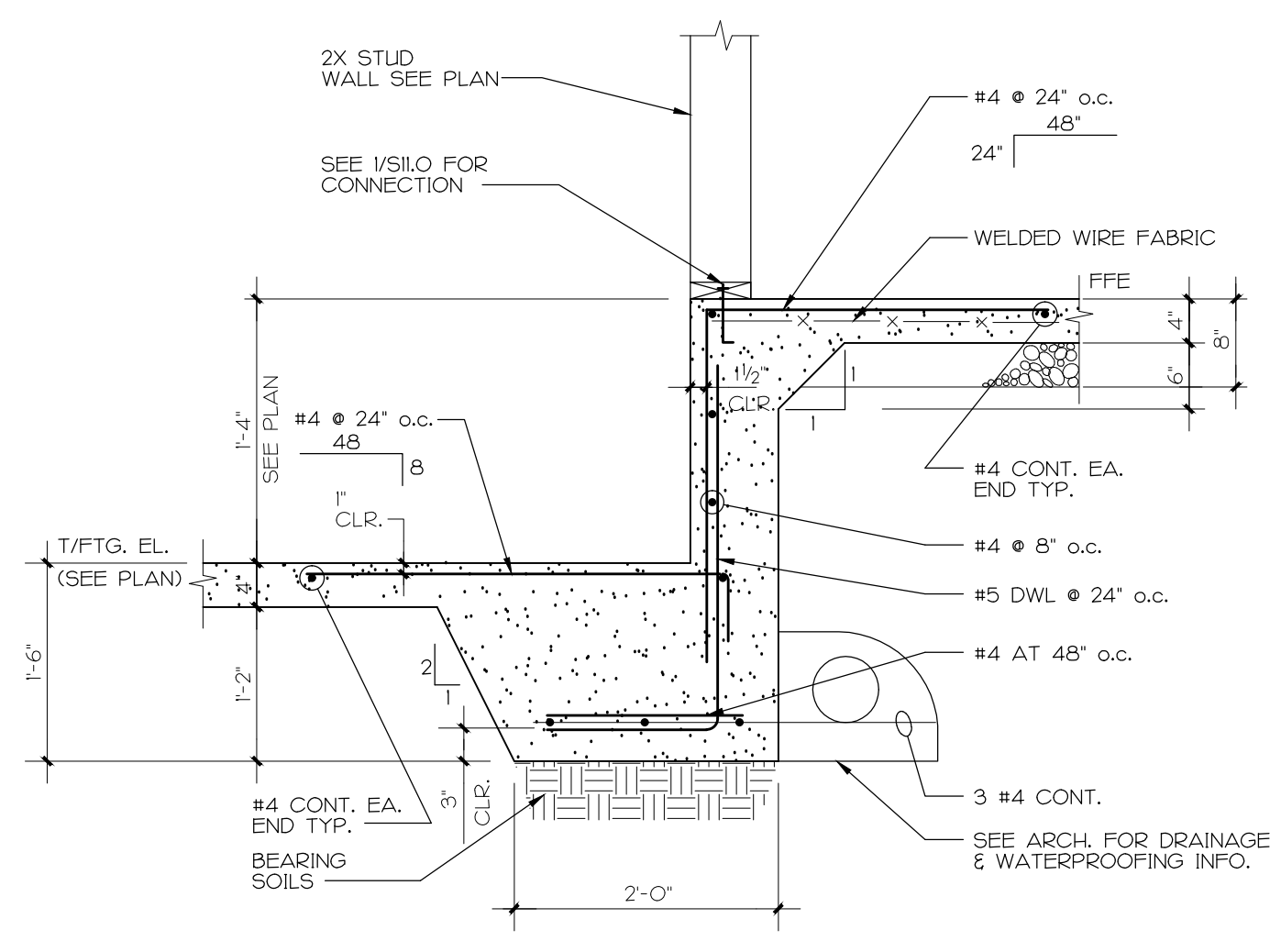
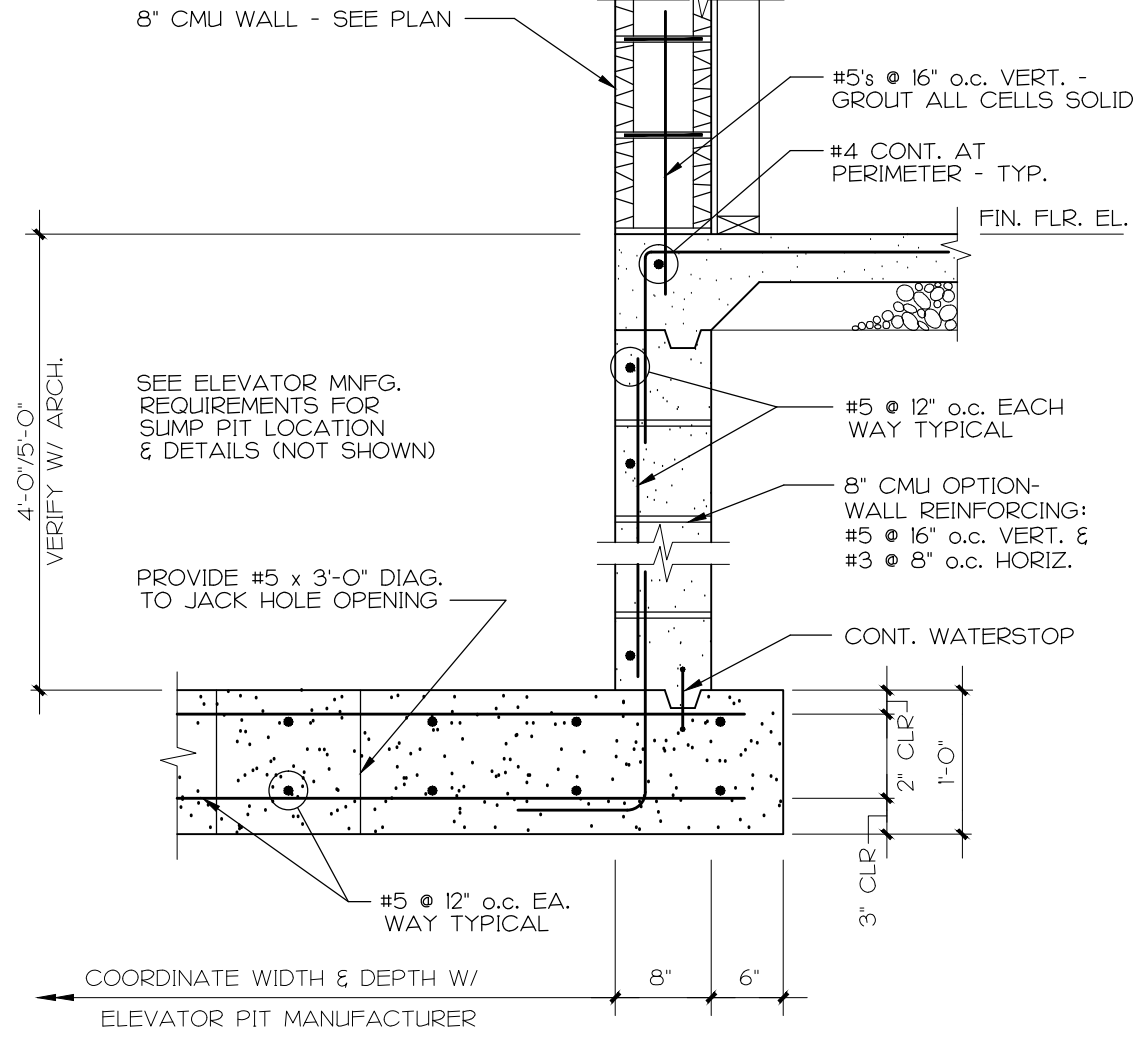


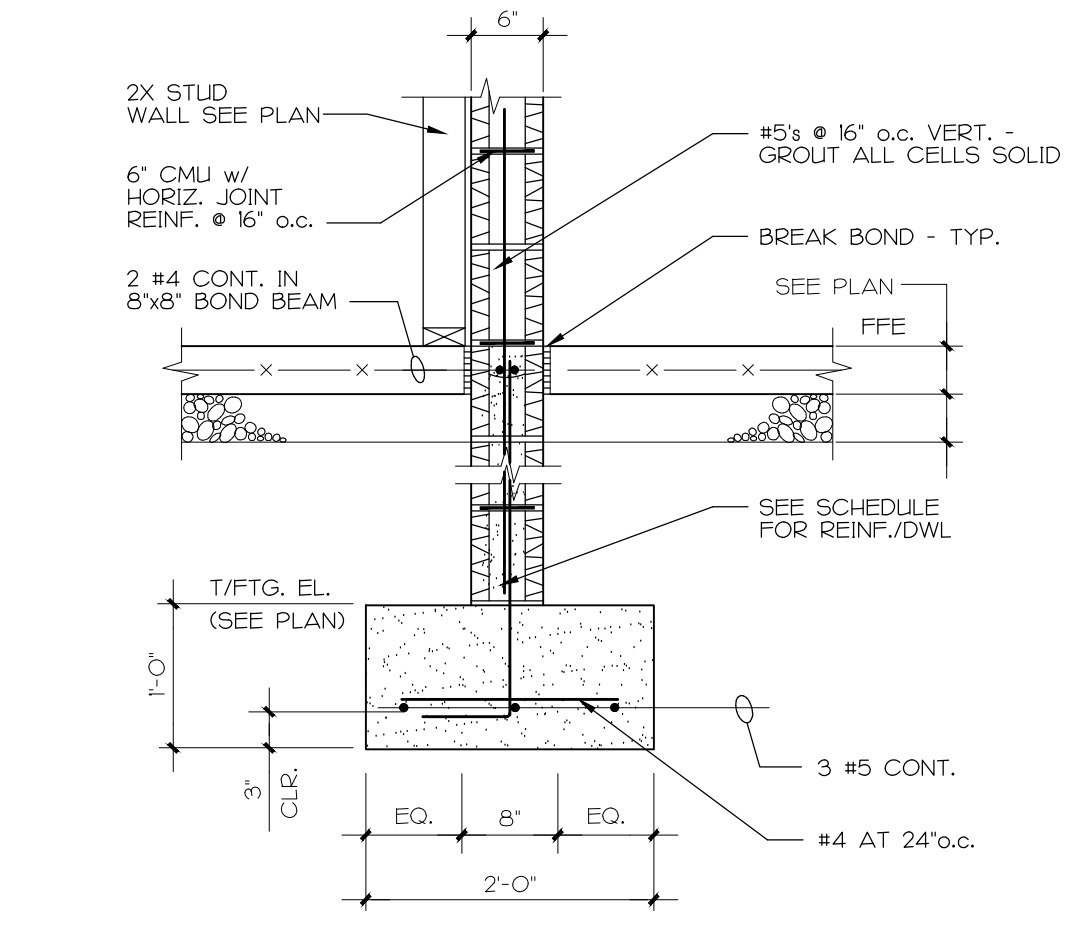
1 TYPICAL WALL REINF.  
S6.1 NOT TO SCALE



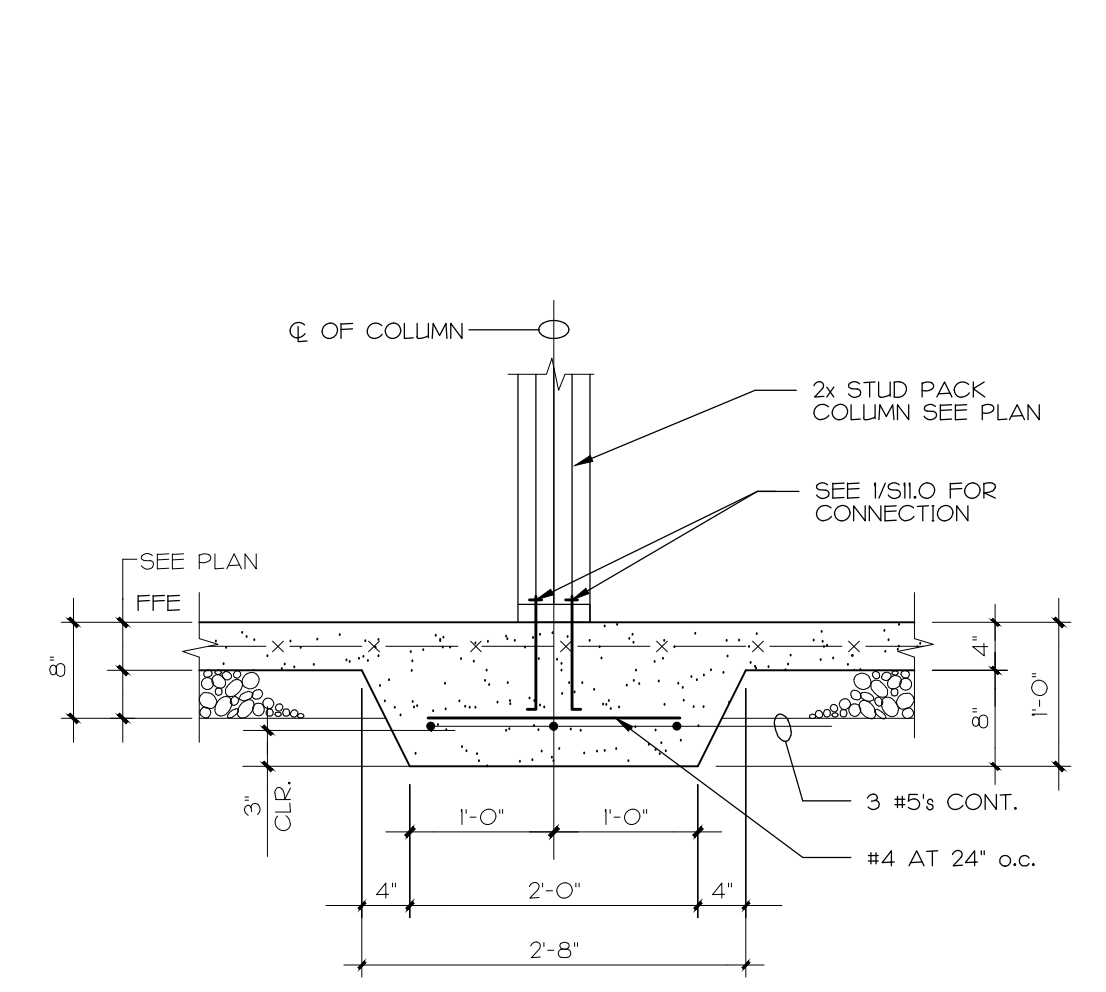
2 SECTION AT BLDG. STEP  
S6.1 3/4" = 1'-0"



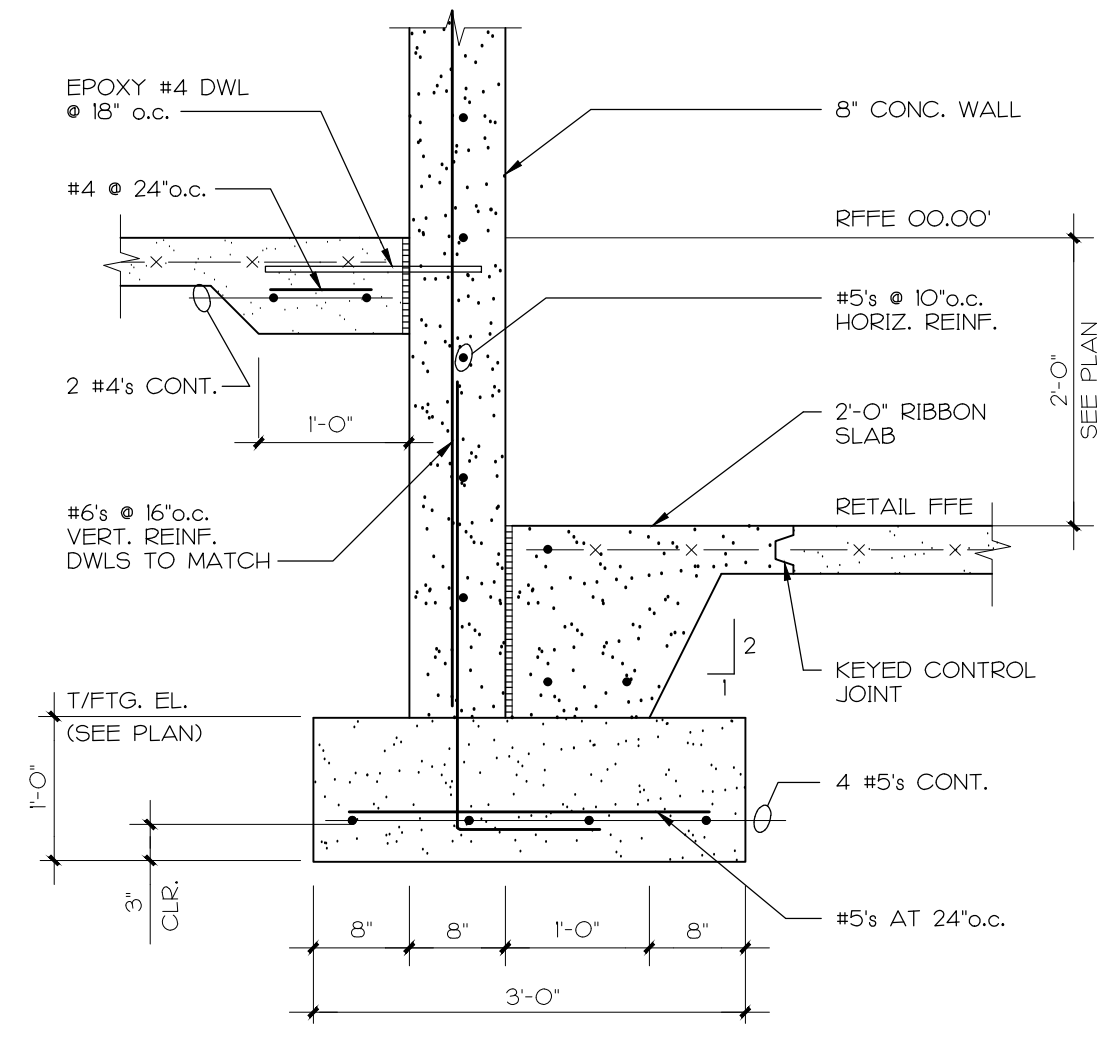
3 SECTION AT ELEVATOR PIT  
S6.1 3/4" = 1'-0" SEE #/5\* FOR SUMP PIT INFO



4 SECTION AT STAIR WALL  
S6.1 3/4" = 1'-0"



5 SECTION AT INTERIOR COLUMN  
S6.1 3/4" = 1'-0"



6 SECTION AT RETAIL STEP  
S6.1 3/4" = 1'-0"

SAMPLE ONLY

COPYRIGHT BY  
CREATIVE CONCEPTS AND DESIGN, INC.

PRELIMINARY  
COORDINATION ONLY  
NOT FOR CONSTRUCTION