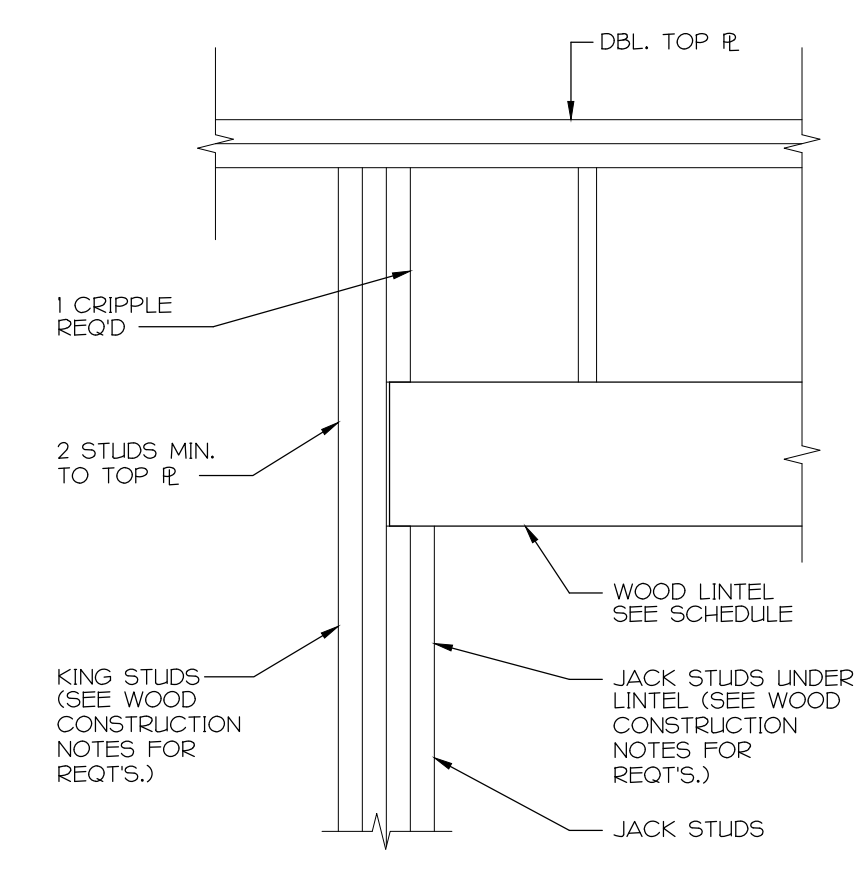
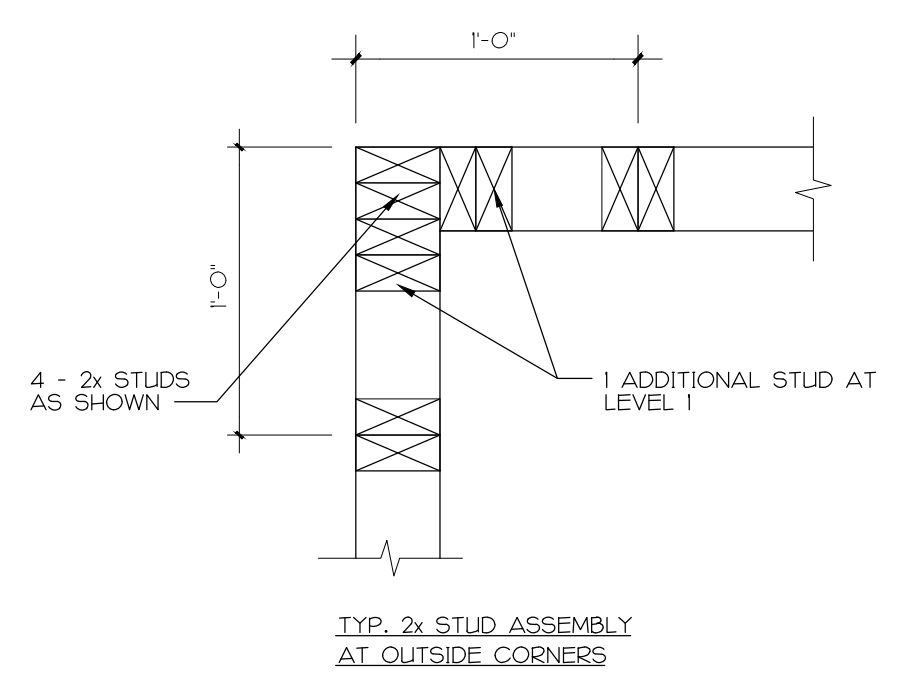


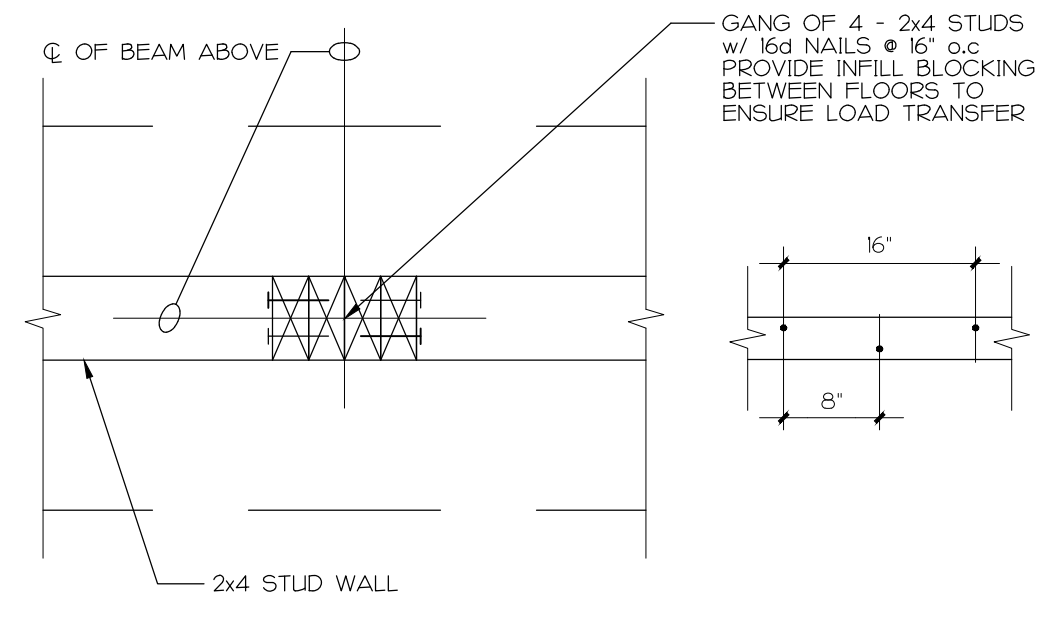
1 SECTION AT STUD WALL
S11.0 NO SCALE



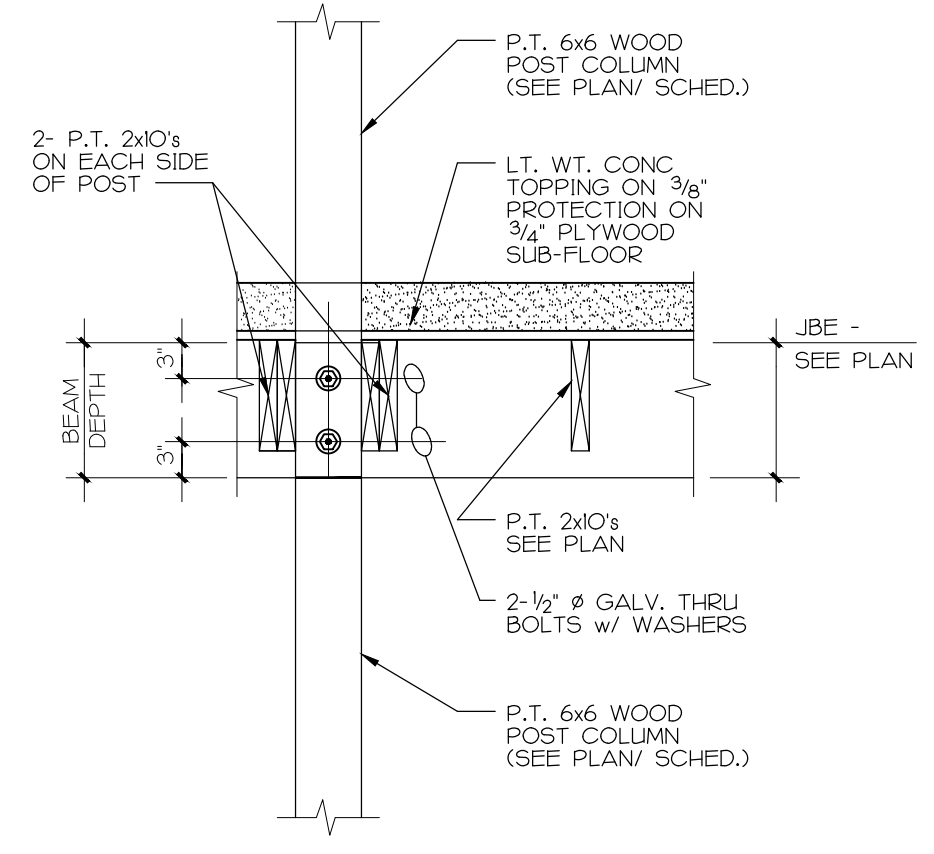
2 SECTION AT LINTEL
S11.0 NO SCALE



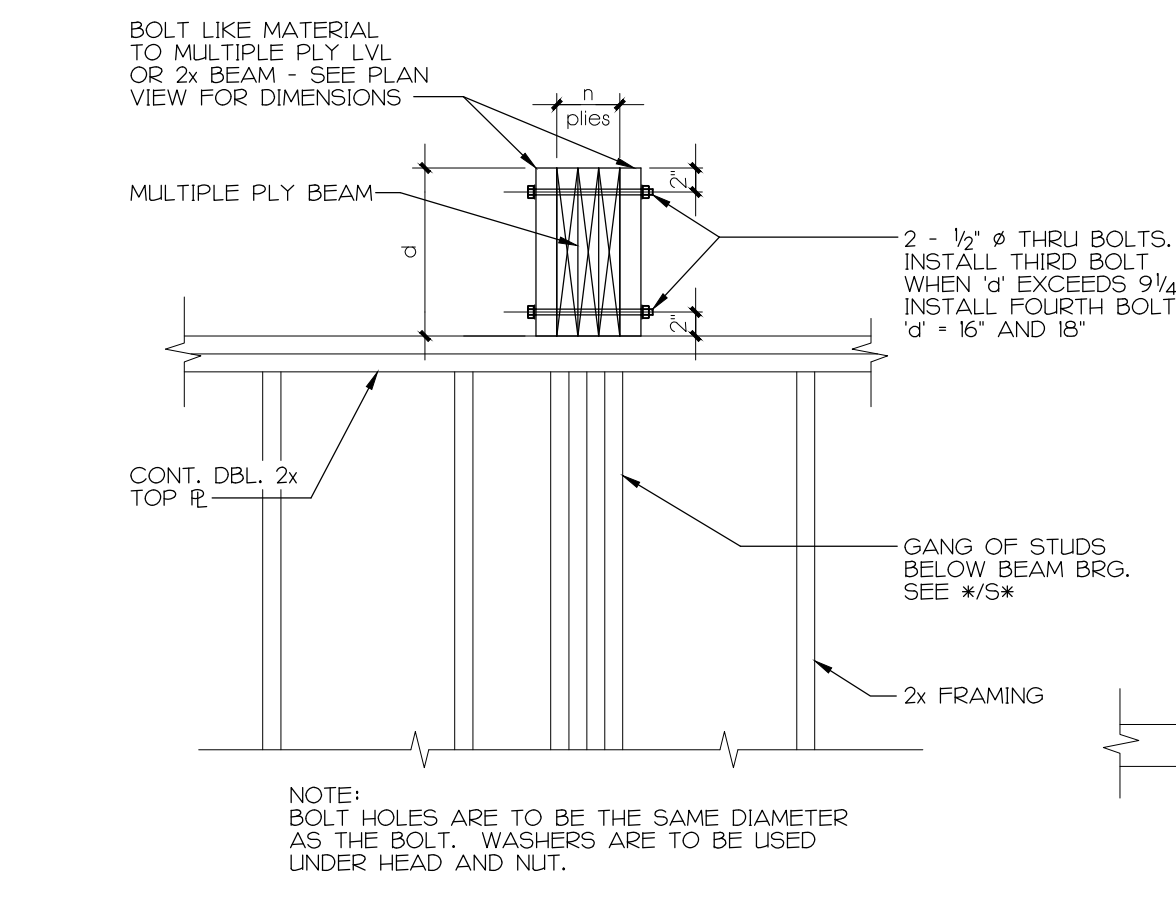
3 PLAN AT STUD WALL OUTSIDE CORNERS
S11.0 1/2\"/>



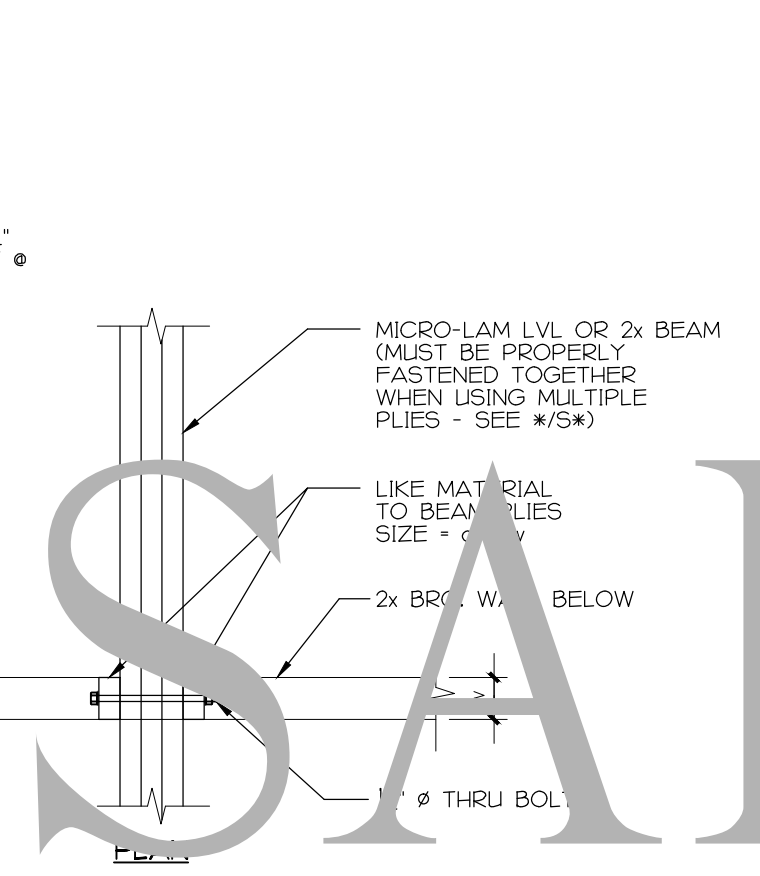
4 PLAN AT STUD WALL LOAD BEARING POINTS
S11.0 1/2\"/>



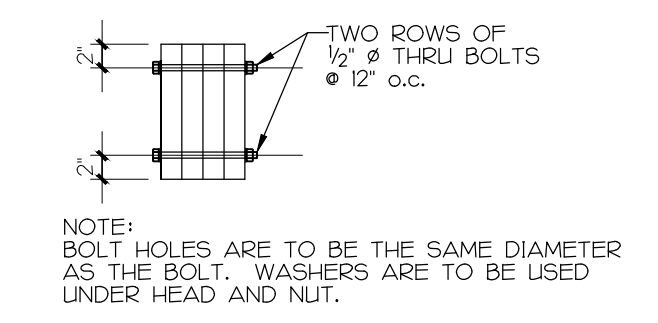
5 SECTION
S11.0 3/4\"/>



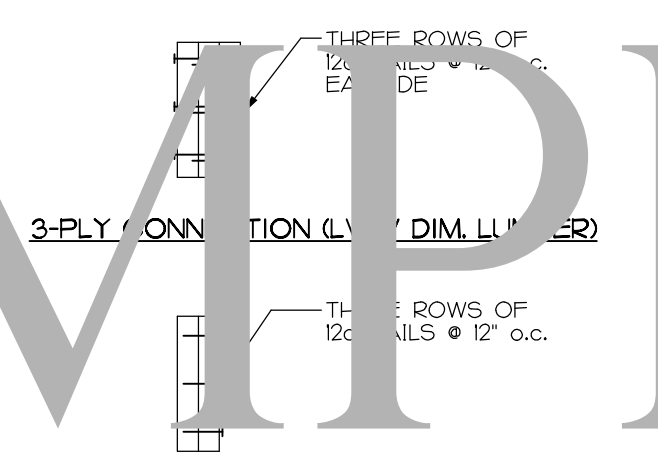
6 SECTION
S11.0 3/4\"/>



7 MULTI-PLY BEAM CONNECTIONS
S11.0 NO SCALE



4-PLY CONNECTION (LVL / DIM LUMBER)



3-PLY CONNECTION (LVL / DIM LUMBER)



2-PLY CONNECTION (LVL / DIM LUMBER)

SAMPLE ONLY

COPYRIGHT BY

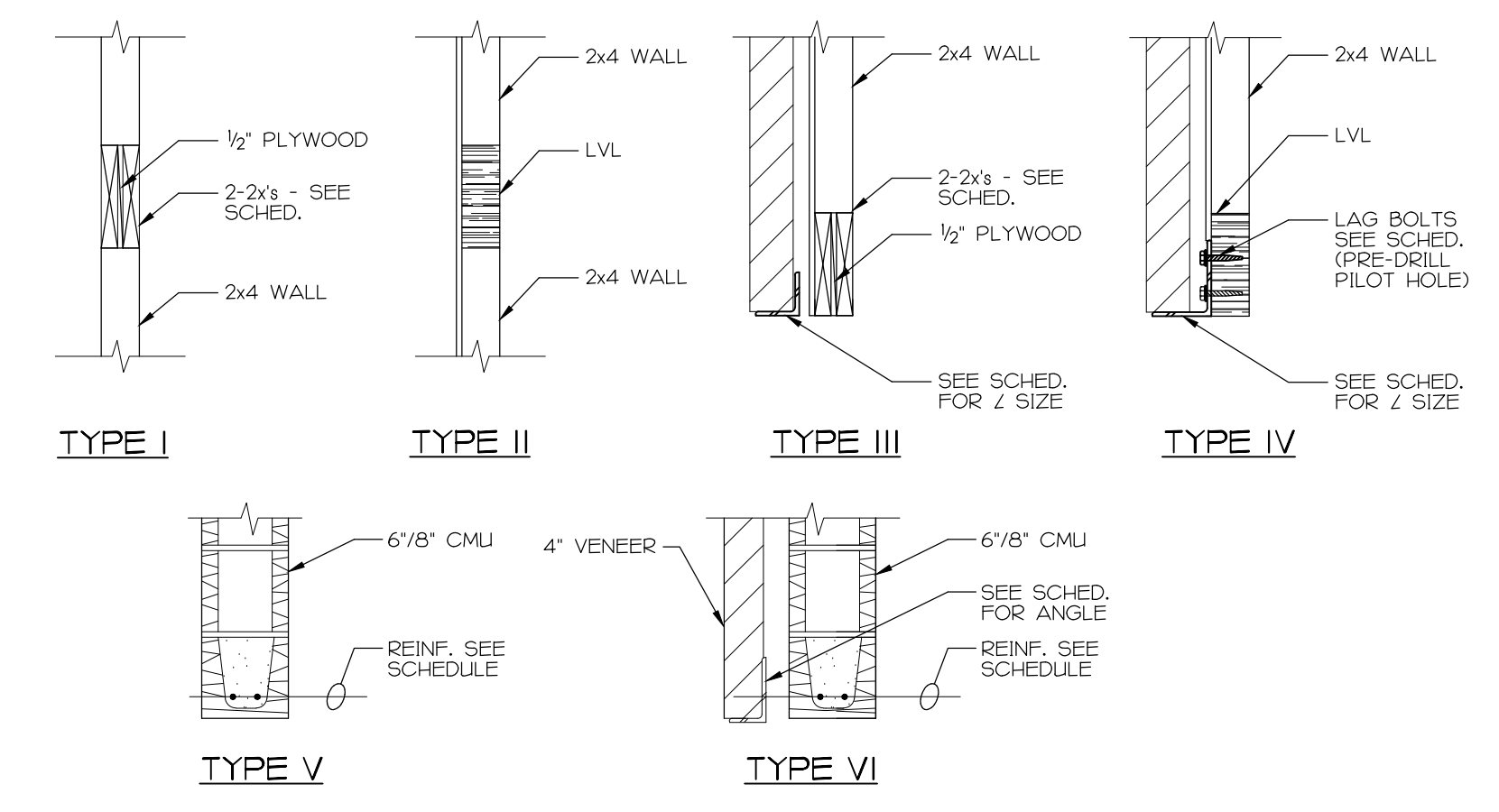
CREATIVE CONCEPTS AND DESIGN INC.

COLUMN SCHEDULE				
MARK	SECTION	BASE PLATE	ANCH. BOLTS	REMARKS
C1	CONCRETE COLUMN			SEE SHEET S10.0 FOR DETAILS
C2	CONCRETE COLUMN			SEE SHEET S10.0 FOR DETAILS
C3	P.T. 6x6 WOOD POST	ABU66 BY SIMPSON	5/8" ϕ	SET SLEEVE IN PT SLAB - THEN PLACE BOLT IN EPOXY

LINTEL SCHEDULE				
MARK	MAX. SPAN	WALL CONSTR.	LINTEL TYPE & DESCRIPTION	REMARKS
L1	4'-0"	2x4 WALL STUDS OR 2x4 STUDS w/ BRICK VENEER	TYPE I OR TYPE III - 2-2x10's INTERIOR/ EXTERIOR WALLS	2x4x1/4" REQ'D AT BRICK VENEER LOCATIONS
L2	6'-8"	2x4 WALL STUDS OR 2x4 STUDS w/ BRICK VENEER	TYPE I OR TYPE III - 2-2x12's INTERIOR/ EXTERIOR WALLS	2x6x1/4" REQ'D AT BRICK VENEER LOCATIONS
L3	10'-0"	2x4 WALL STUDS OR 2x4 STUDS w/ BRICK VENEER	TYPE II OR TYPE IV - 3-1/2"x11/4" LVL INTERIOR/ EXTERIOR WALLS	2x6x1/4" w/ 3/8" ϕ x 3" LAG BOLTS AT 32" o.c. REQ'D AT BRICK VENEER LOCATIONS
L4	4'-8"	6/8" CMU	TYPE V, w/ 2 #5 CONT., 8" INT/EXT CMU WALLS	1 #6 CONT. IN 6" CMU 2x4x1/4" REQ'D AT BRICK VENEER LOCATIONS

FOOTING SCHEDULE				
DESIGN BASED ON 2000 PSF ALLOWABLE SOIL BEARING PRESSURE				
MARK	DEPTH	SIZE	REINFORCING EACH WAY	REMARKS
F1	-	-	-	
F2	-	-	-	
F3	-	-	-	
F4	-	-	-	
F5	-	-	-	
F6	-	-	-	
F7	-	-	-	
F8	-	-	-	
F9	-	-	-	
F10	-	-	-	
F11	-	-	-	
F12	-	-	-	
F13	-	-	-	
F14	-	-	-	
F15	-	-	-	
F16	-	-	-	
F17	-	-	-	
F18	-	-	-	
F19	-	-	-	
F20	-	-	-	
F21	-	-	-	
F22	-	-	-	
F23	-	-	-	

LVL - INDICATES LAMINATED VENEER LUMBER - SEE WOOD CONSTRUCTION GENERAL NOTES ON SHEET S1 FOR REQUIRED SECTION PROPERTIES.
SUBMIT PRODUCT FOR REVIEW, 'MICROLAM' OR APPROVED EQUAL.



PRELIMINARY COORDINATION ONLY NOT FOR CONSTRUCTION

HSPA# 1805

MISCELLANEOUS DETAILS

SEPTEMBER 2, 2014

S11.0