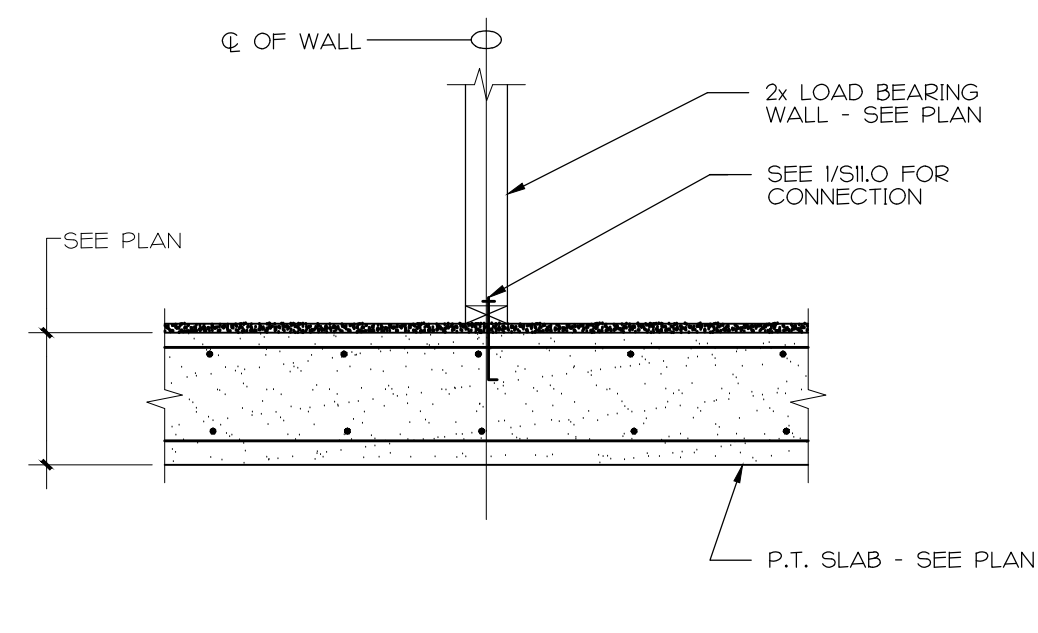
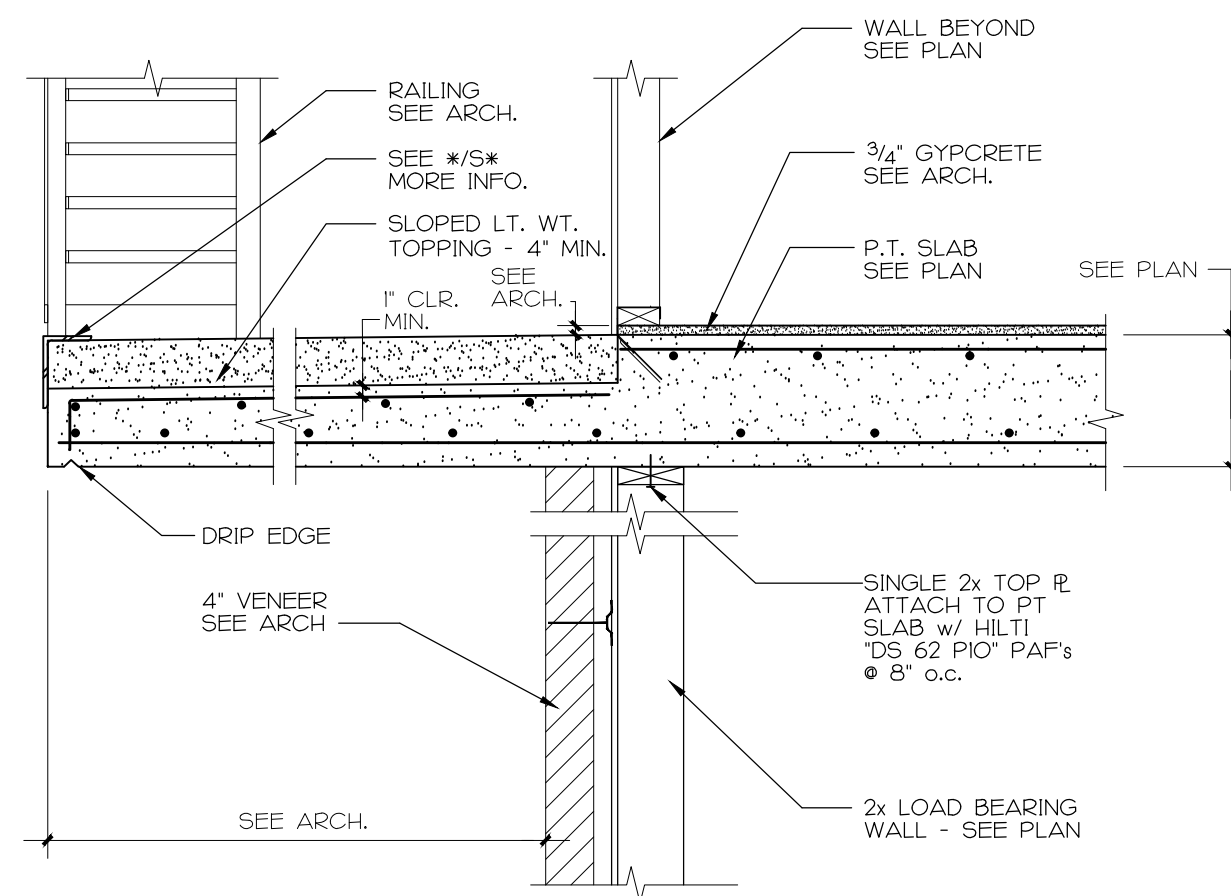


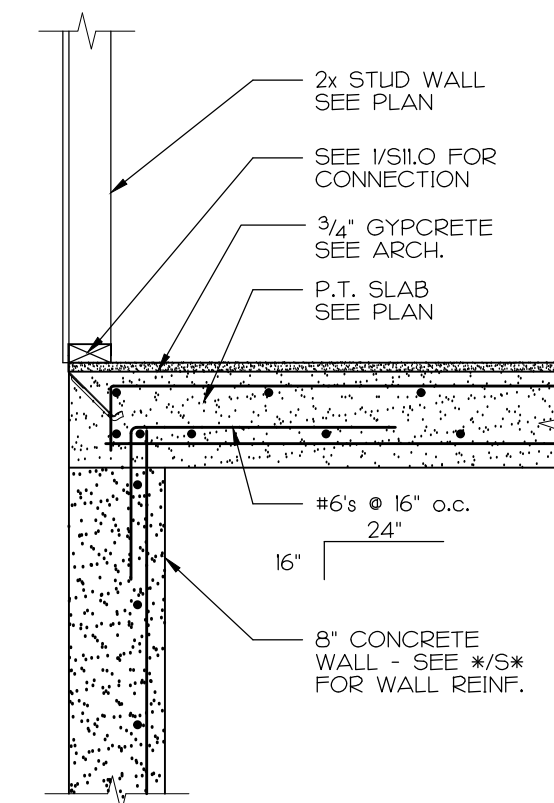
1 SECTION AT UNIT SEPARATION WALL  
SIO.2 3/4" = 1'-0"



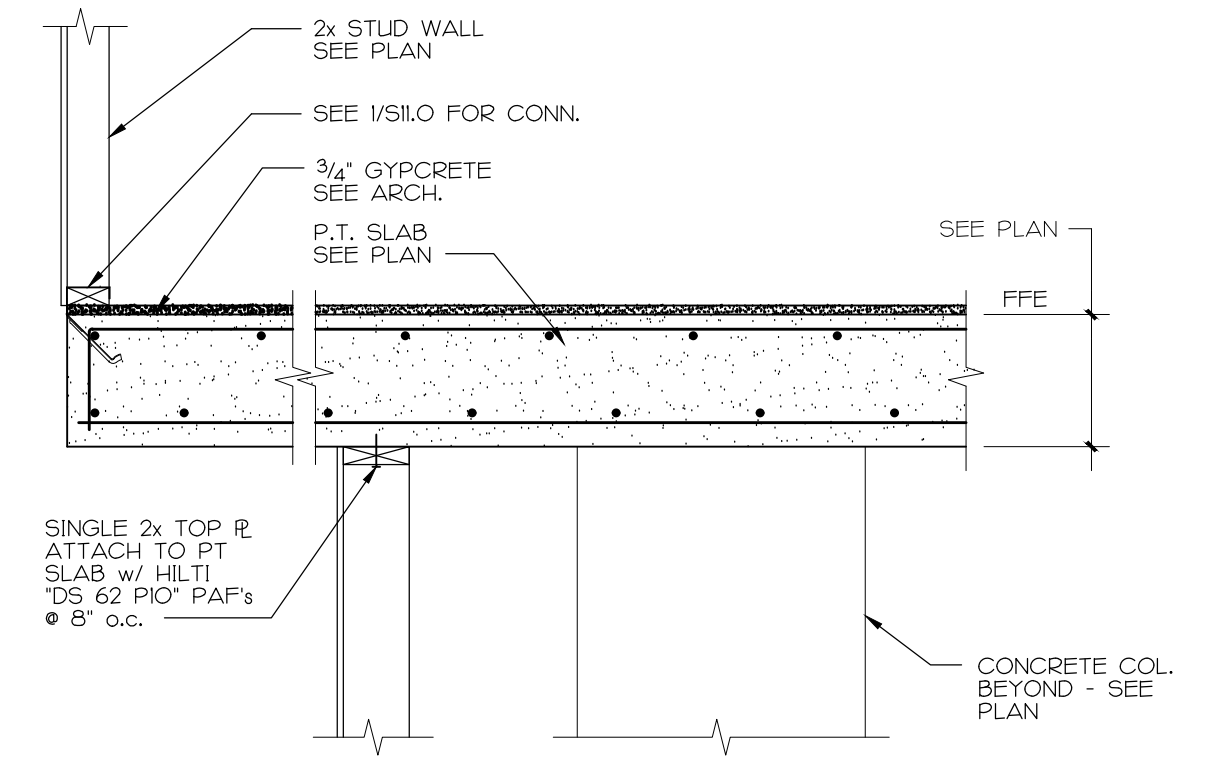
2 SECTION AT LOAD BEARING WALL  
SIO.2 3/4" = 1'-0"



3 SECTION AT CANTILEVER  
SIO.2 3/4" = 1'-0"



6 SECTION  
SIO.2 3/4" = 1'-0"



7 SECTION AT CANTILEVER  
SIO.2 3/4" = 1'-0"

PRELIMINARY  
COORDINATION ONLY  
NOT FOR CONSTRUCTION

# SAMPLE ONLY

COPYRIGHT BY  
CREATIVE CONCEPTS AND DESIGN, INC.

HSPA# 1805

POST-TENSIONED SLAB  
DETAILS

SEPTEMBER 2, 2014

SIO.2