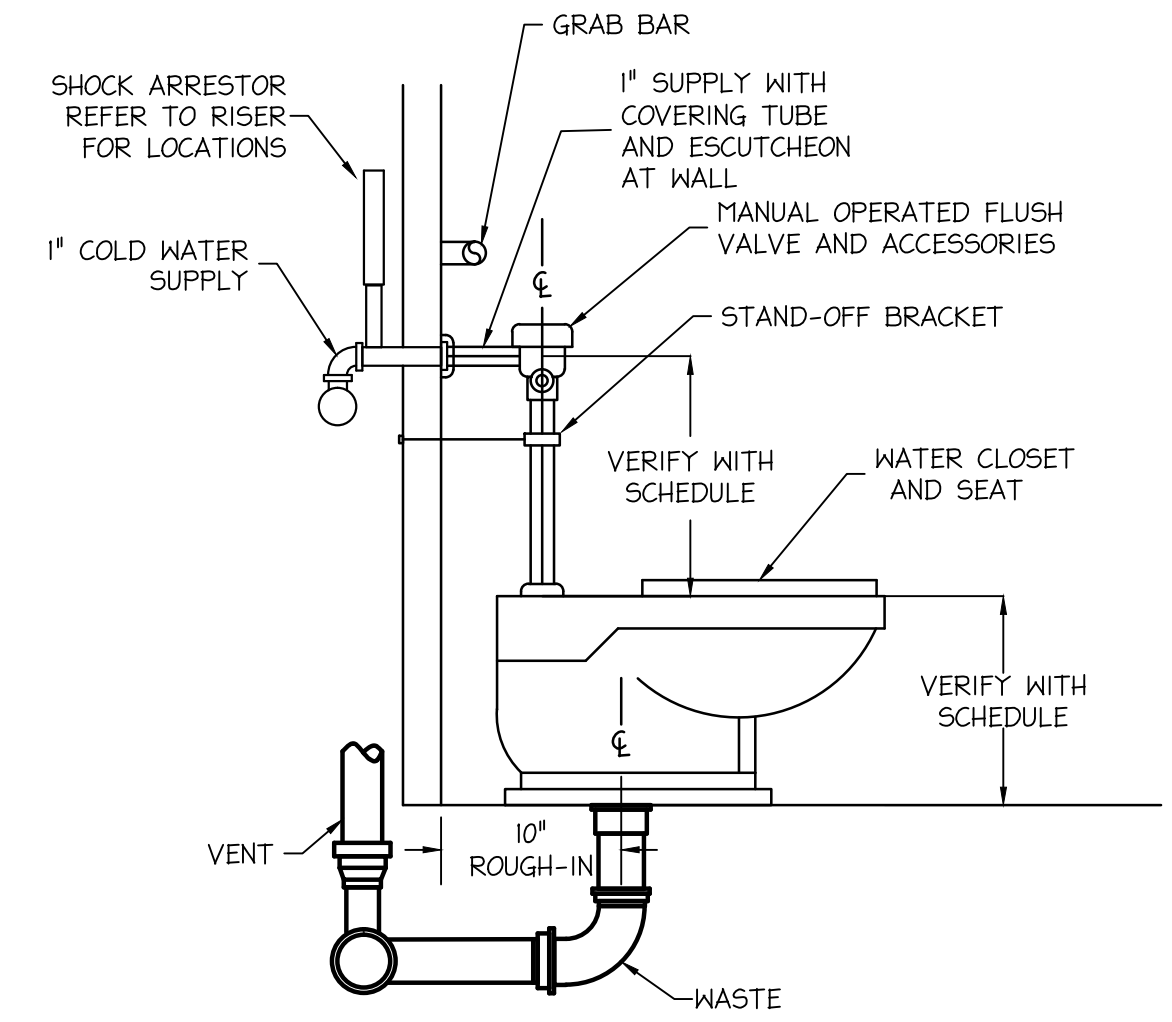
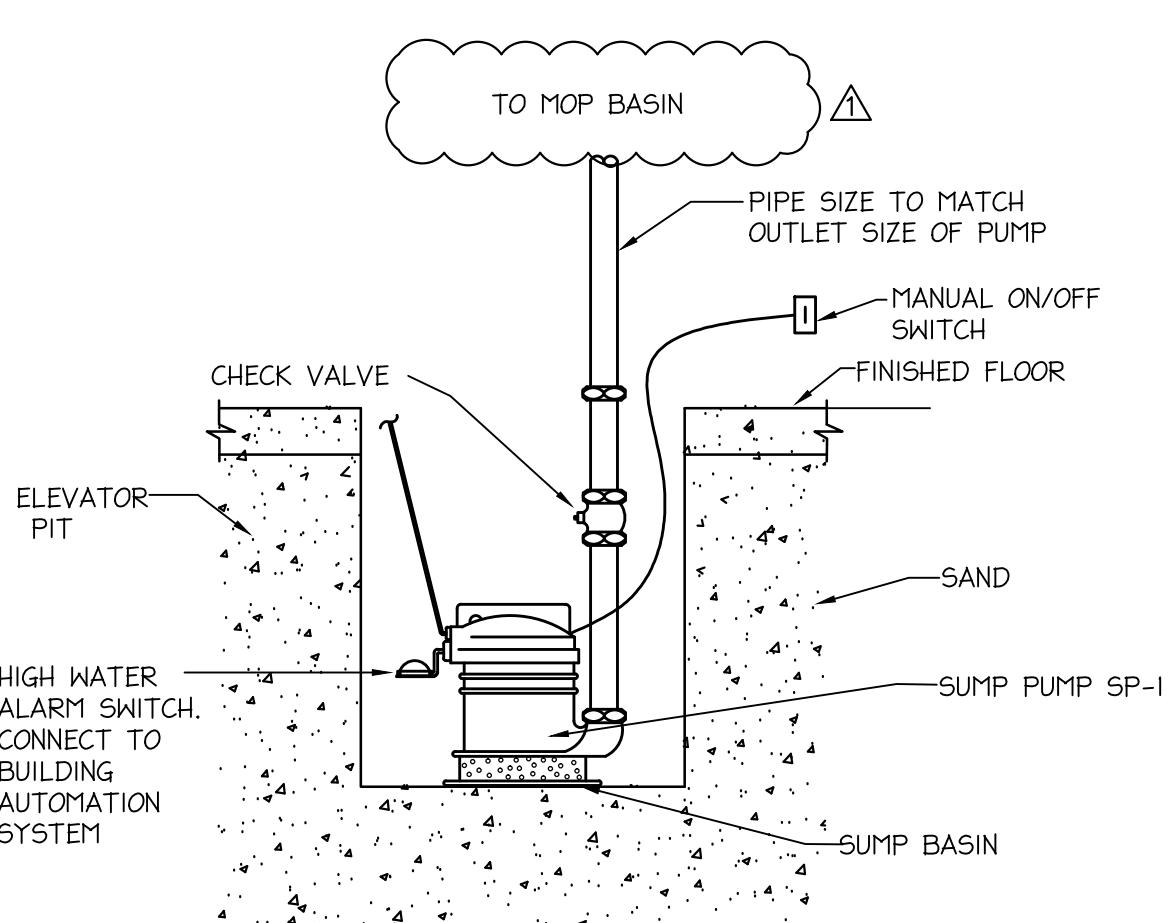


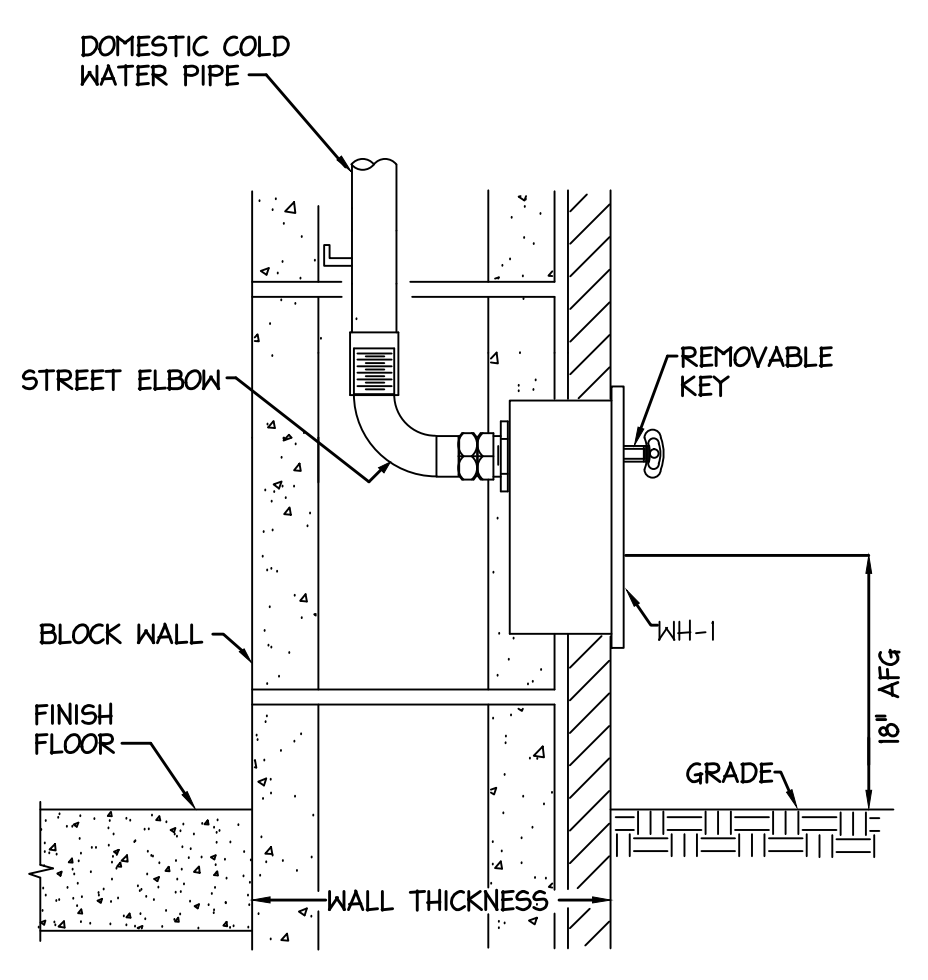
1 GROUP TOILET TRAP PRIMER
PO500 NOT TO SCALE



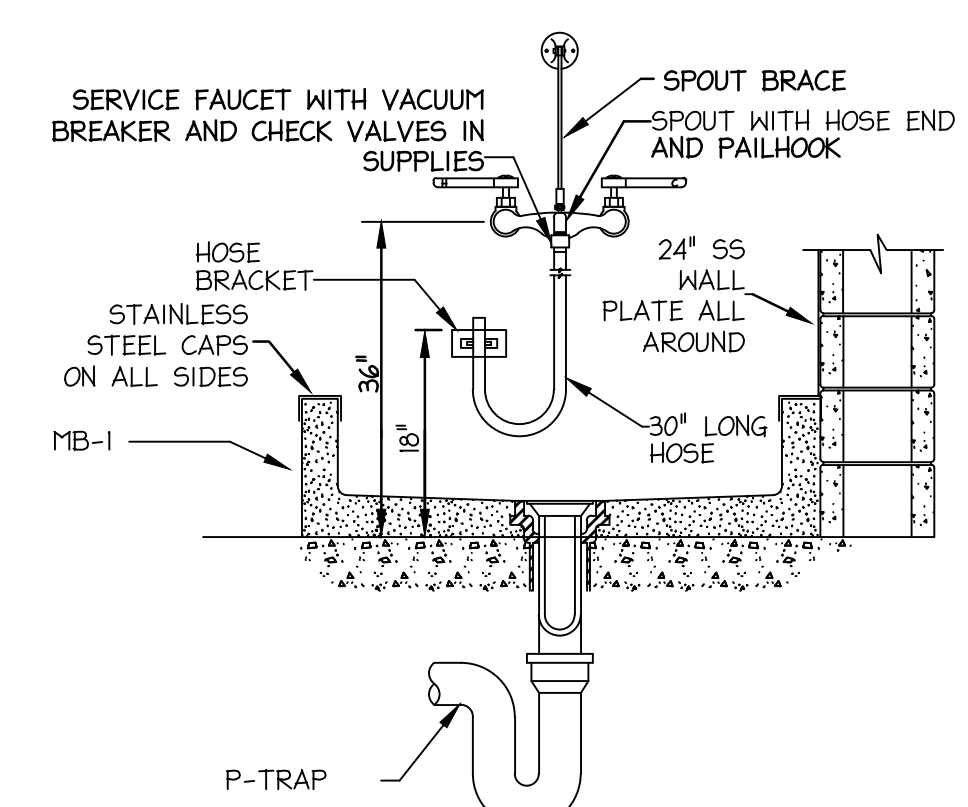
2 FLOOR MOUNTED WATER CLOSET DETAIL
PO500 SCALE: NONE



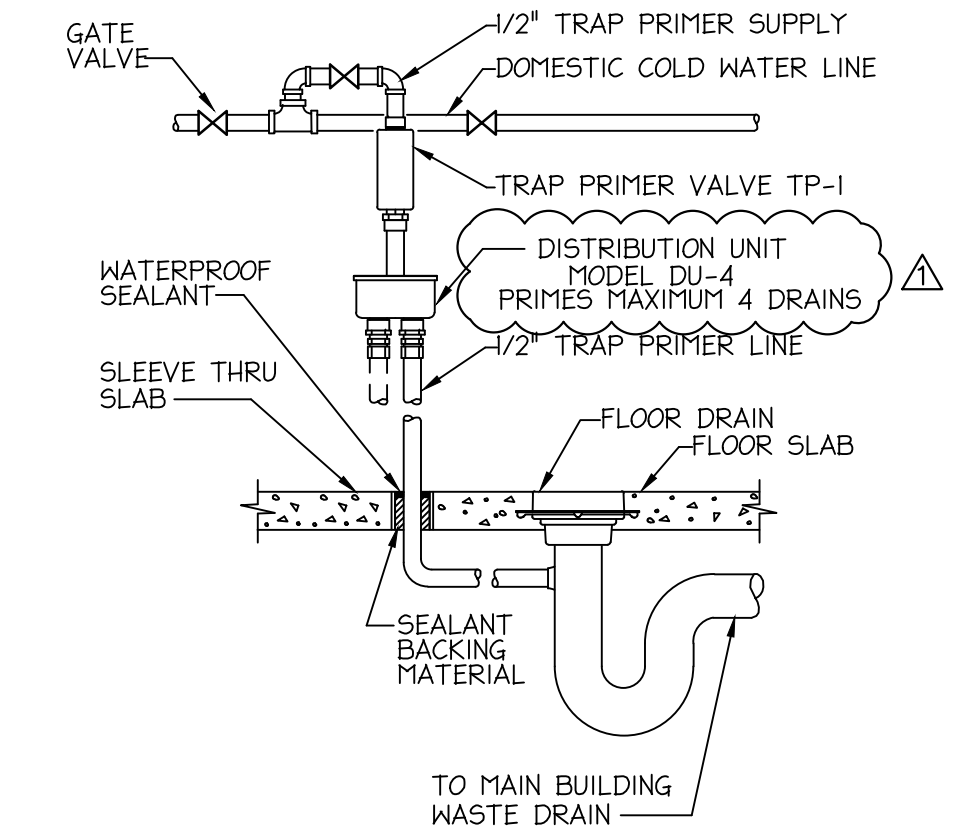
3 ELEVATOR SUMP PUMP DETAIL
PO500 NOT TO SCALE



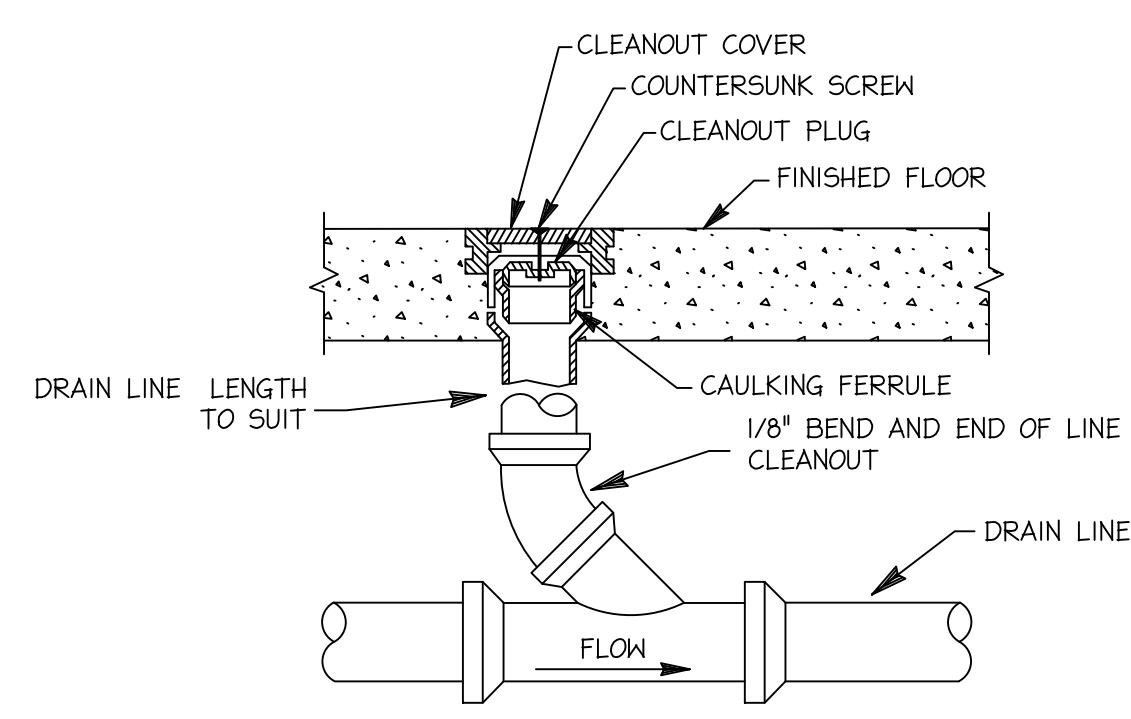
4 RECESSED WALL HYDRANT DETAILS
PO500 NOT TO SCALE



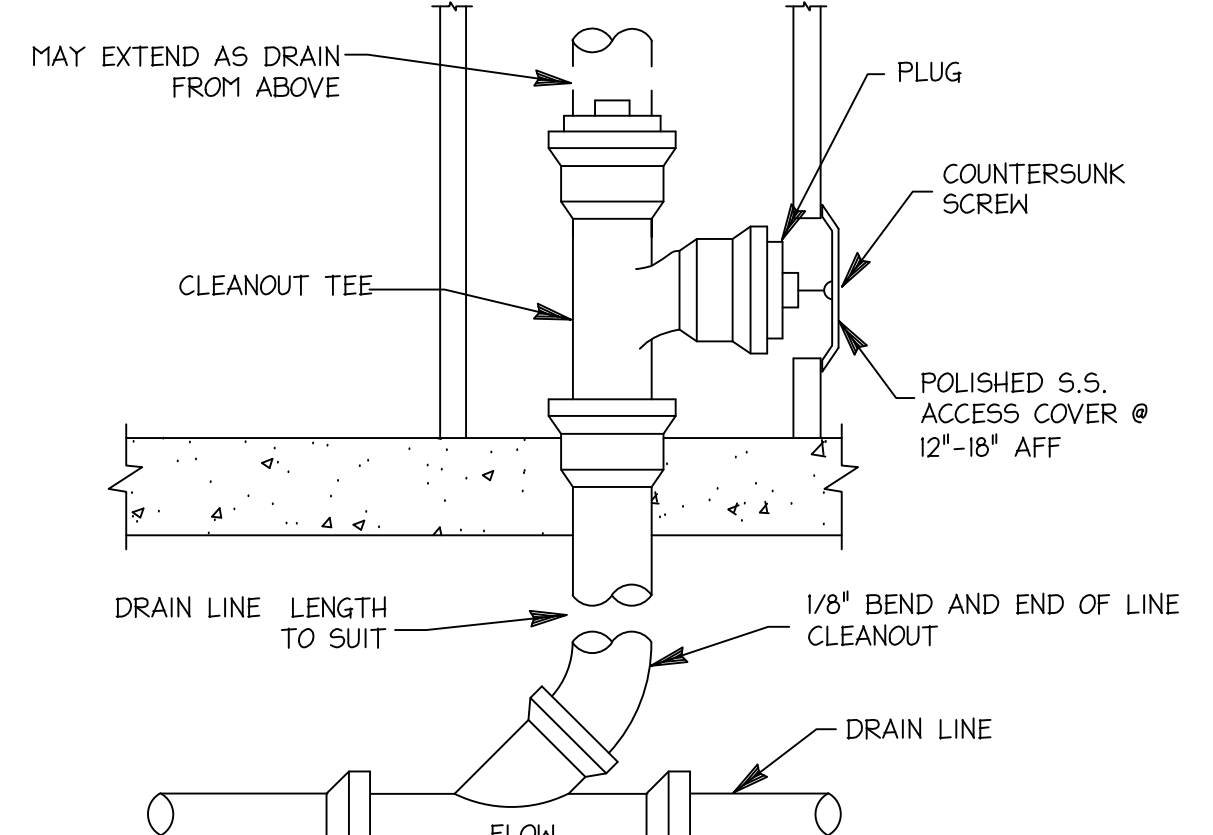
5 MOP SINK INSTALLATION DETAIL
PO500 SCALE: NONE



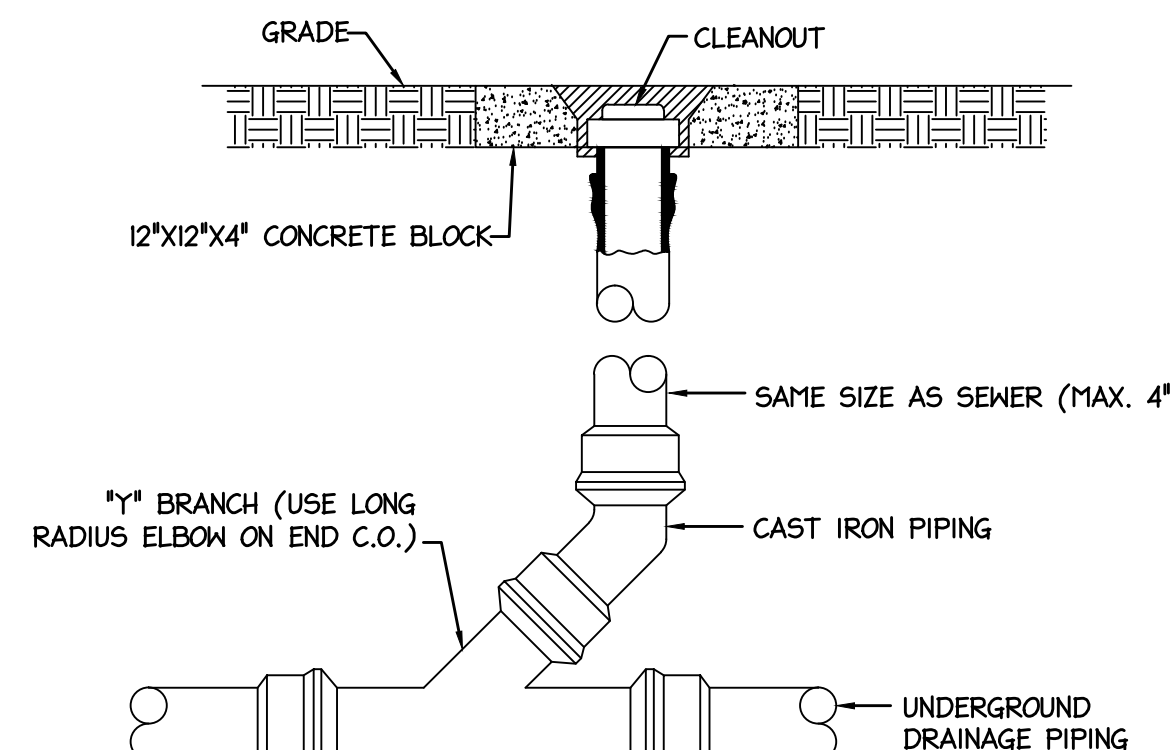
6 TYPICAL BOILER ROOM FLOOR DRAIN TRAP PRIMER DETAIL
PO500 NOT TO SCALE



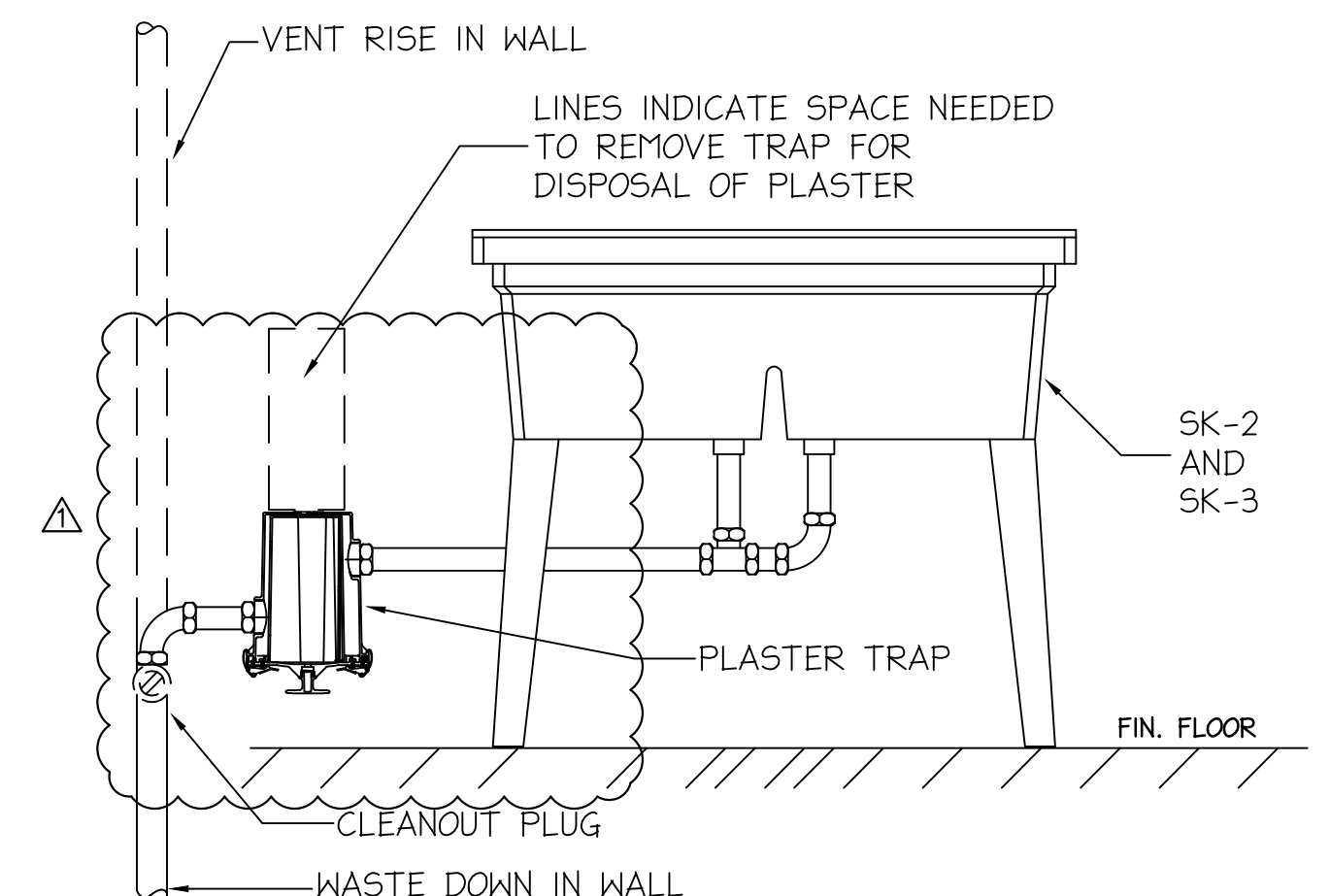
7 FLOOR CLEANOUT DETAIL
PO500 NOT TO SCALE



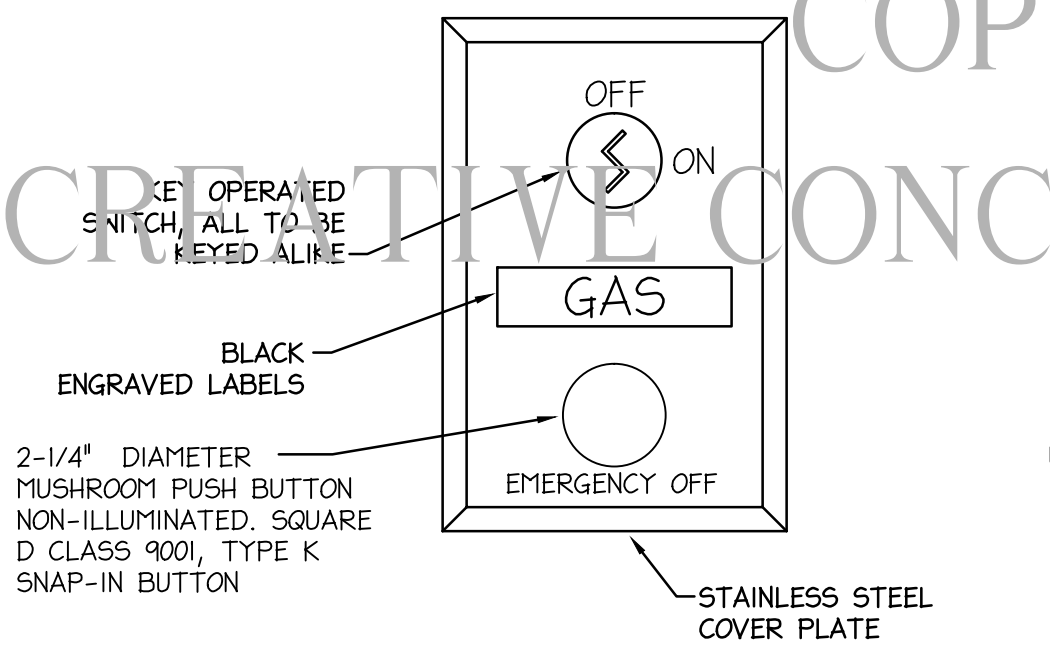
8 WALL CLEANOUT DETAIL
PO500 NOT TO SCALE



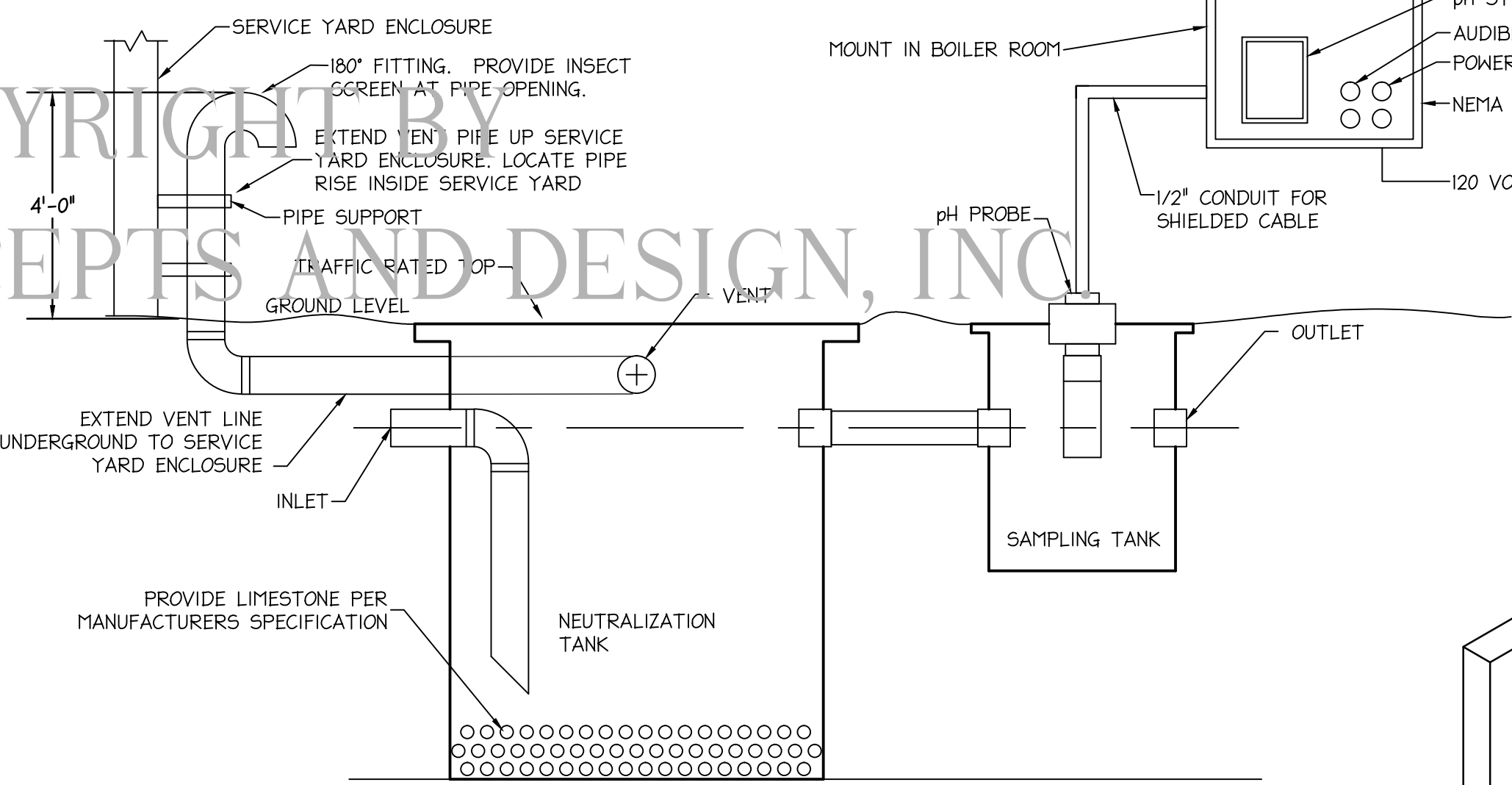
9 OUTSIDE CLEANOUT DETAIL
PO500 NOT TO SCALE



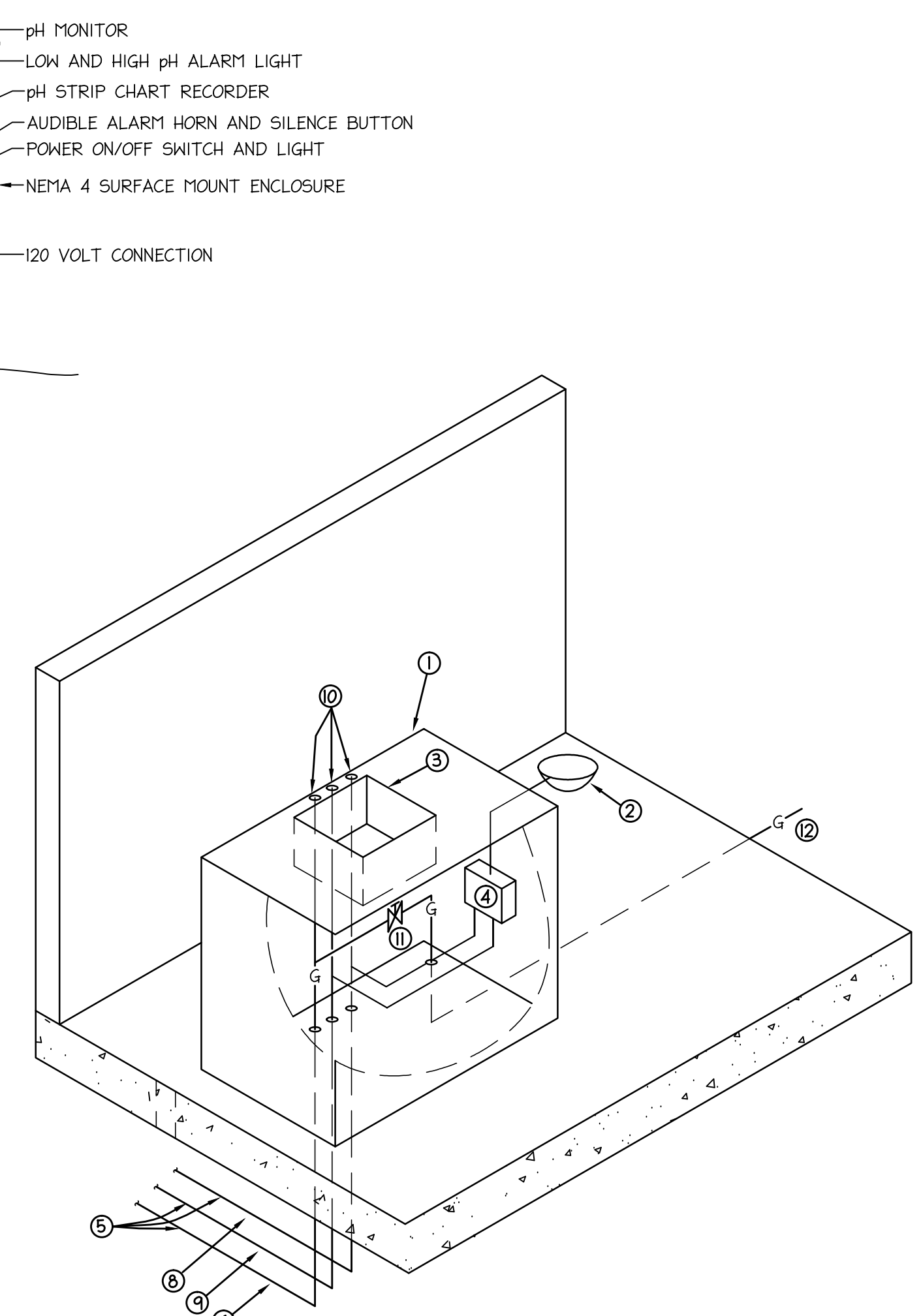
10 PLASTER TRAP AND SINK DETAIL
PO500 NOT TO SCALE



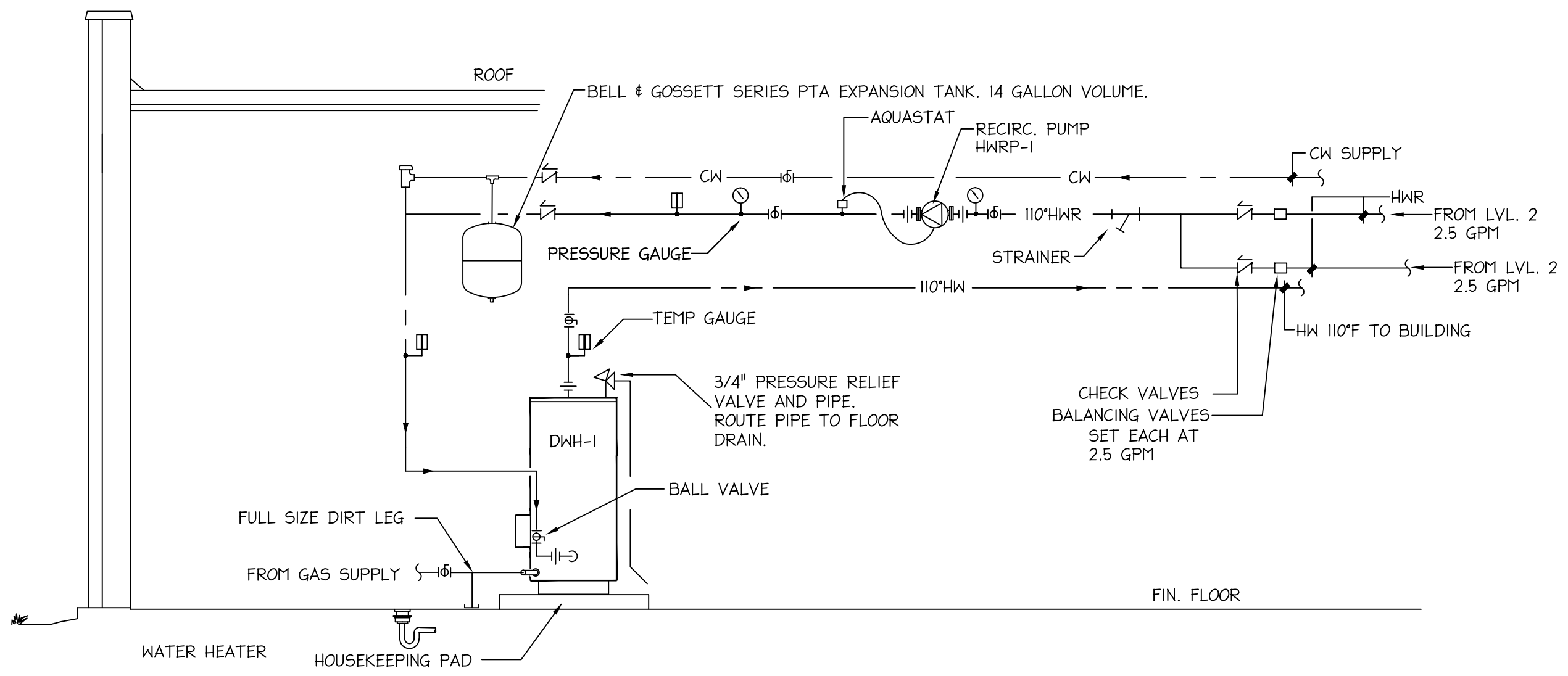
11 SCIENCE CLASSROOM SOLENOID VALVE CONTROL COVER PLATE
PO500 NOT TO SCALE



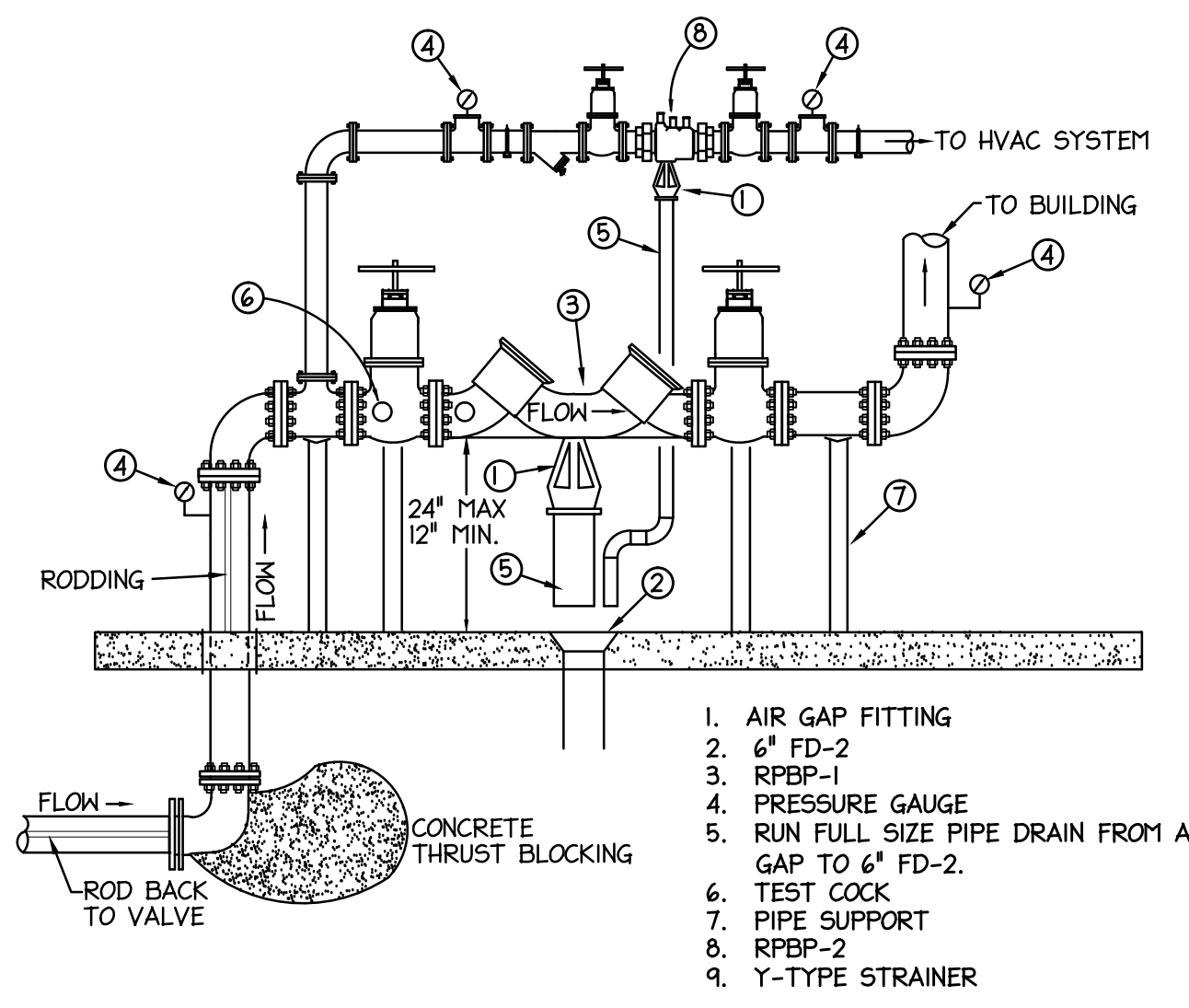
12 ACID NEUTRALIZATION TANK AND MONITORING SYSTEM
PO500 NOT TO SCALE



15 LABORATORY INSTRUCTOR WORKSTATION PRESSURE PIPE DIAGRAM
PO500 NOT TO SCALE



13 WATER HEATER INSTALLATION DETAIL
PO500 SCALE: NONE

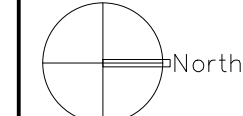


14 BACK FLOW PREVENTER DETAIL
PO500 NOT TO SCALE

SAMPLE ONLY

COPYRIGHTED BY CREATIVE CONCEPTS AND DESIGN, INC.

Key Plan



Mark Date Description

Project #: 207014.00
CAD File Name:
Issue Date: 10.08.2007

PLUMBING DETAIL SHEET

P0500