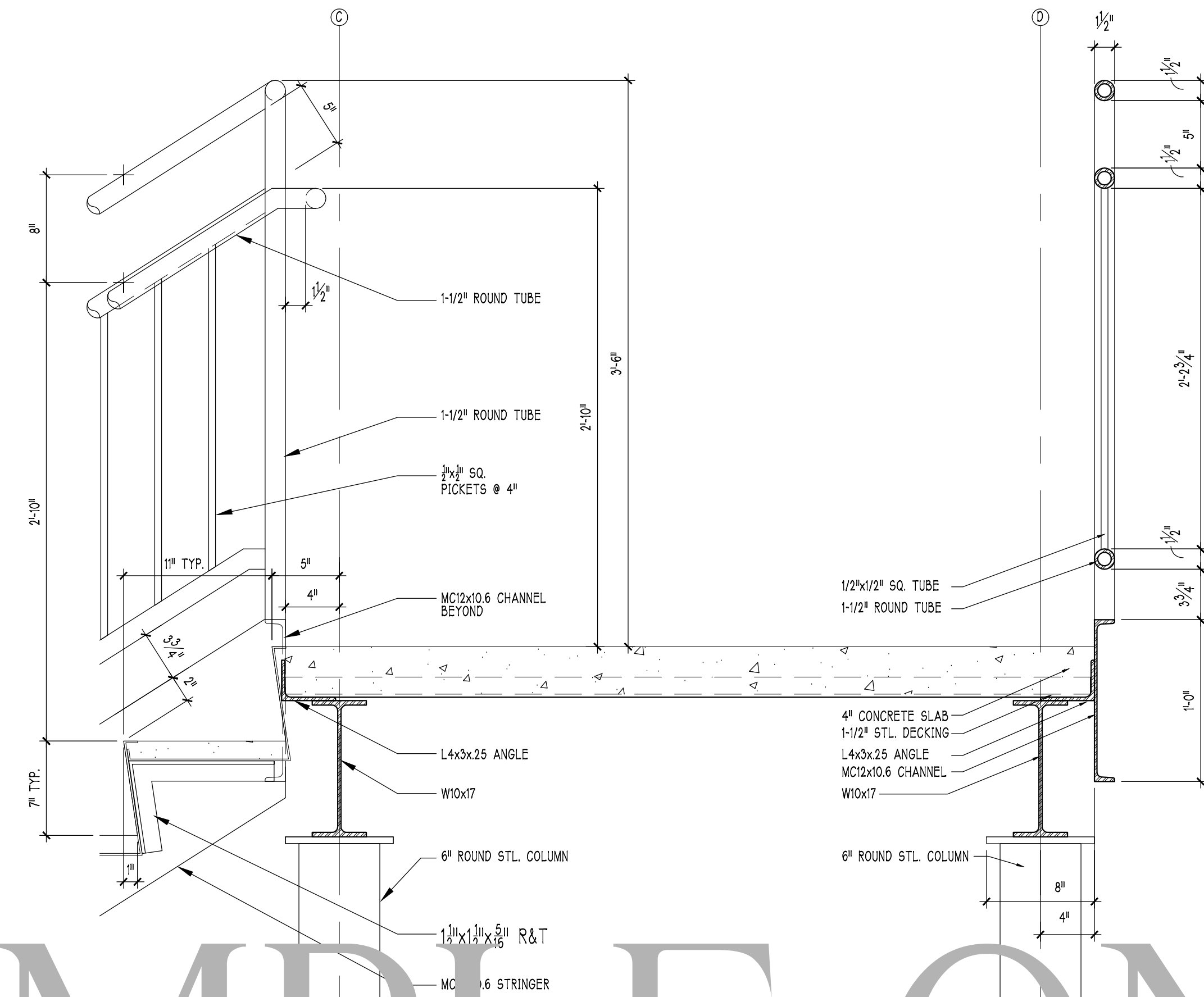
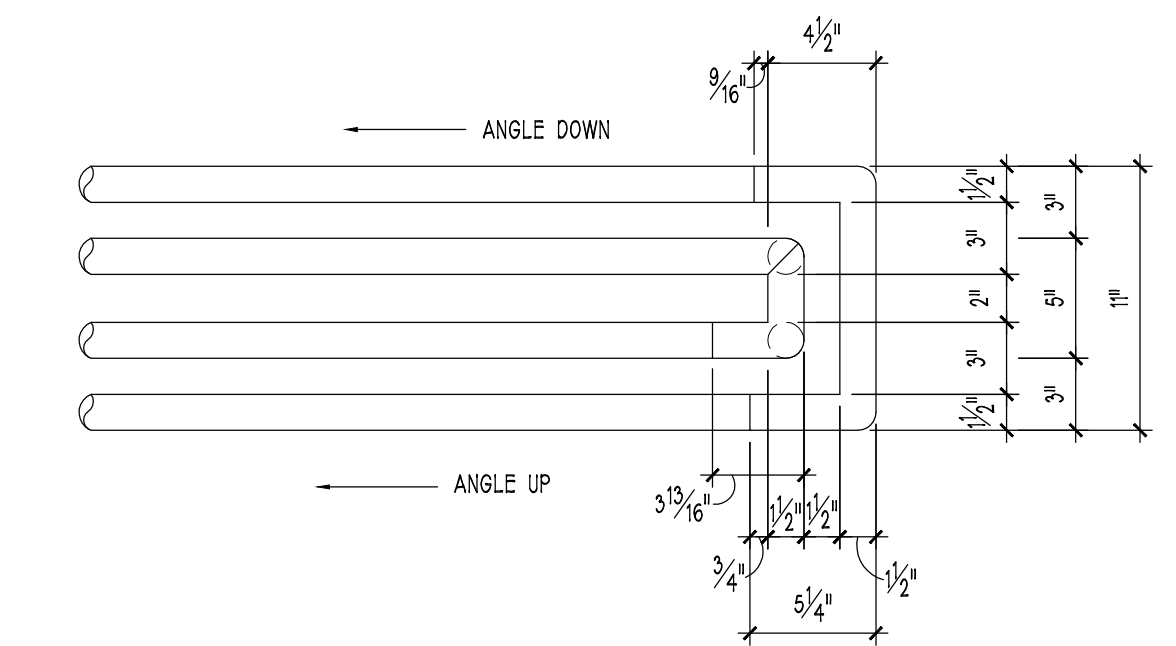


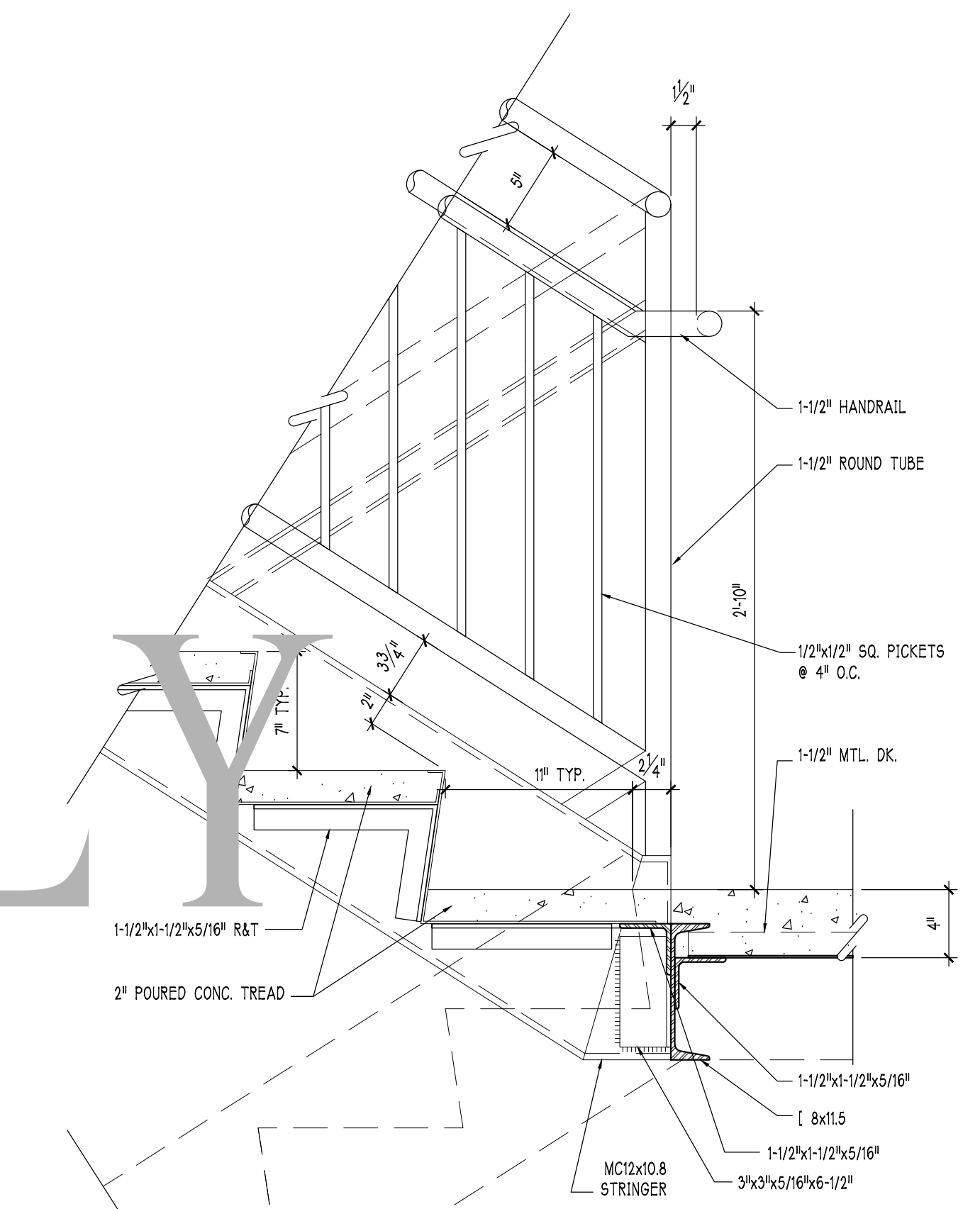
1
T4 **Detail at Building**
1-1/2" = 1'-0"



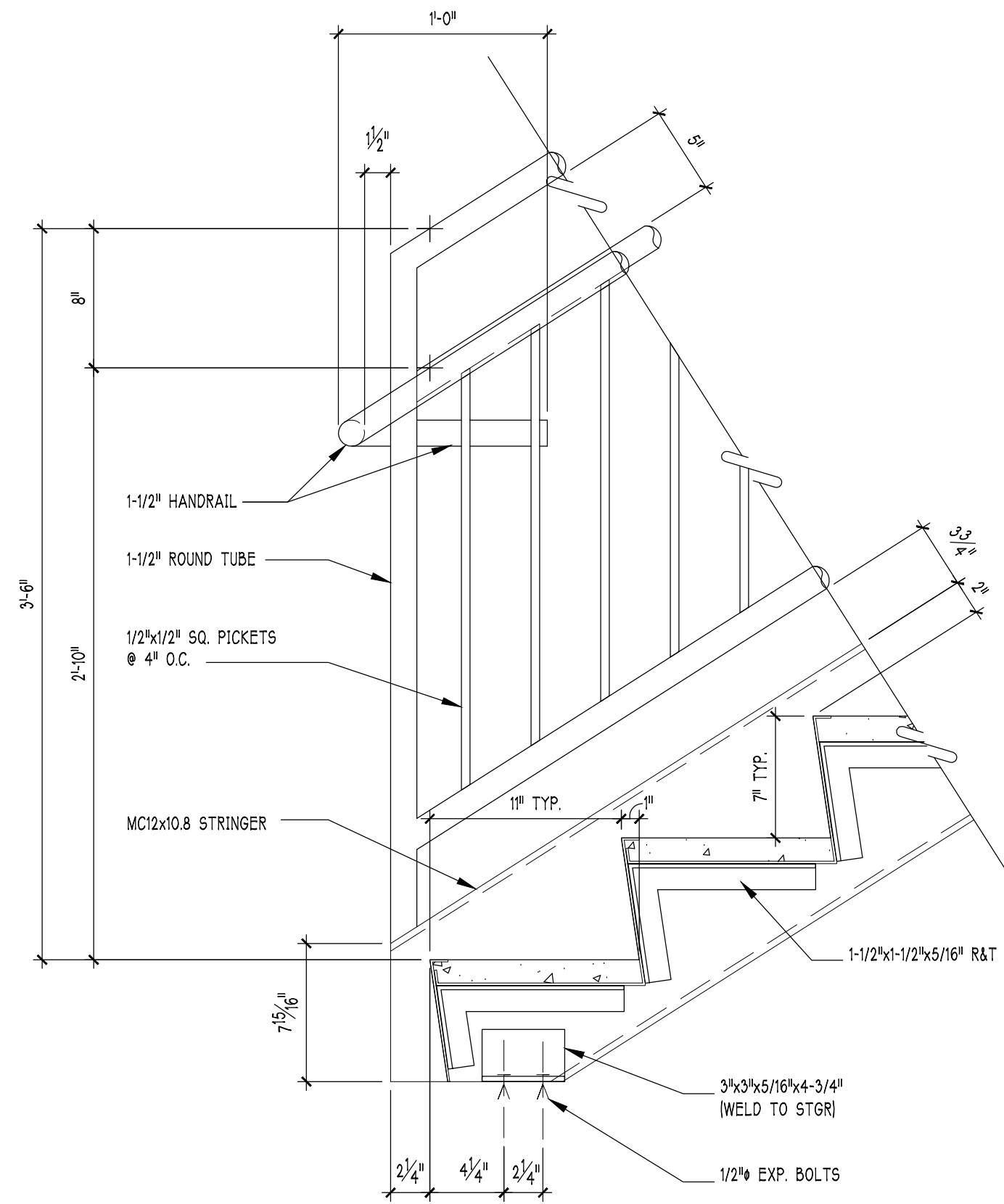
2
T4 **Detail at Top Landing**
1-1/2" = 1'-0"



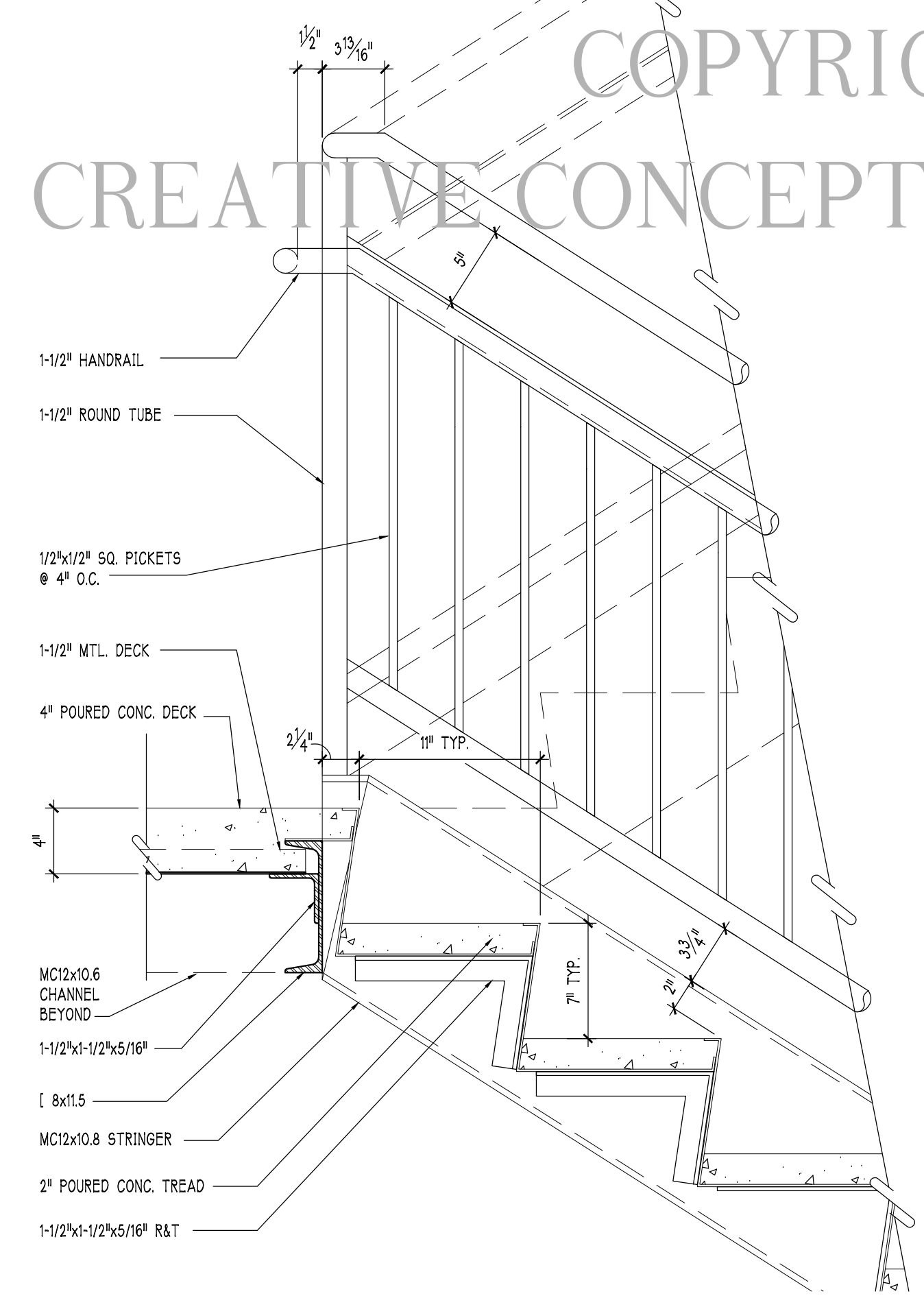
3
T4 **Detail at Intermediate Landing Up**
1-1/2" = 1'-0"



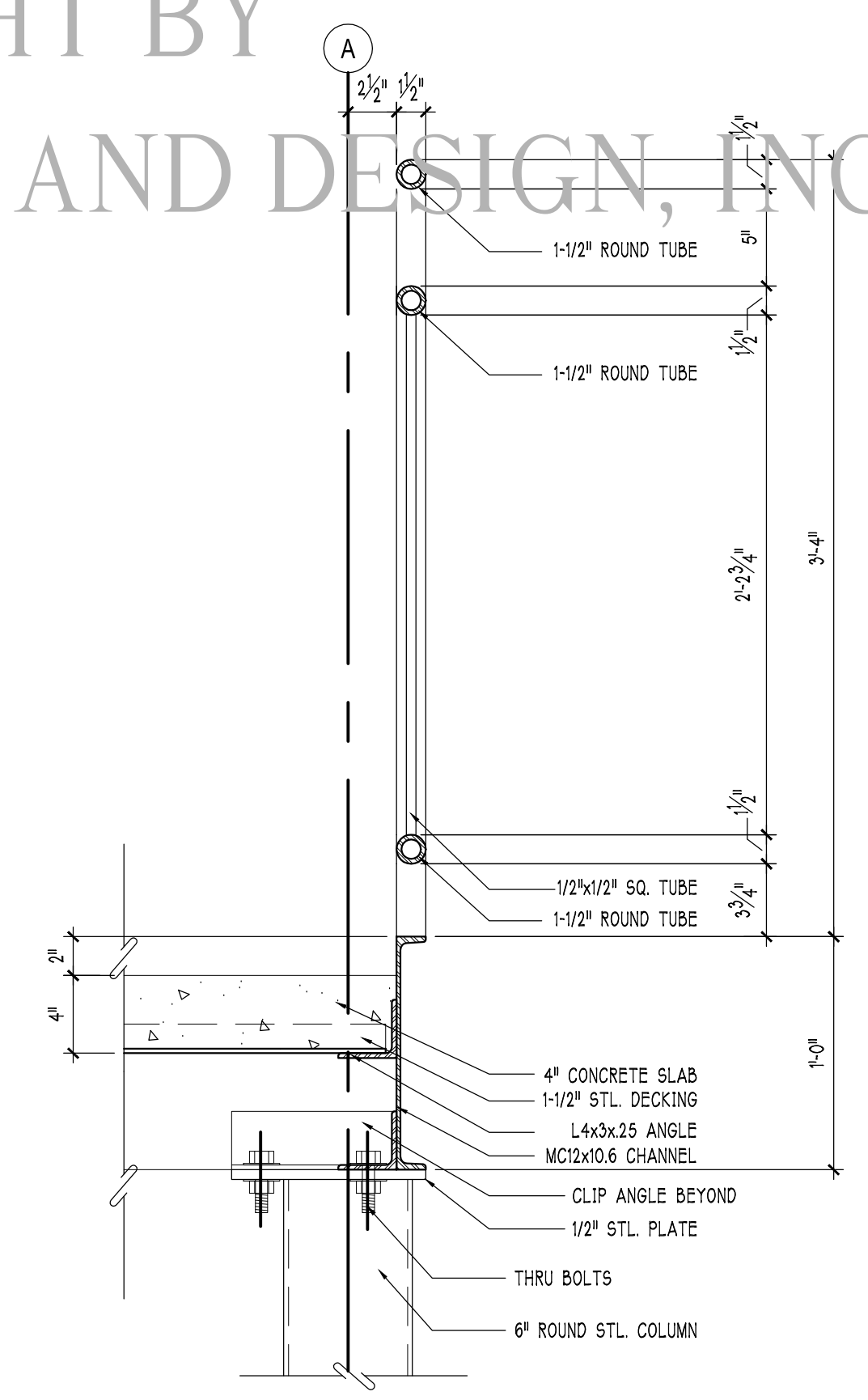
4
T4 **Detail at Intermediate Landing Up**
1-1/2" = 1'-0"



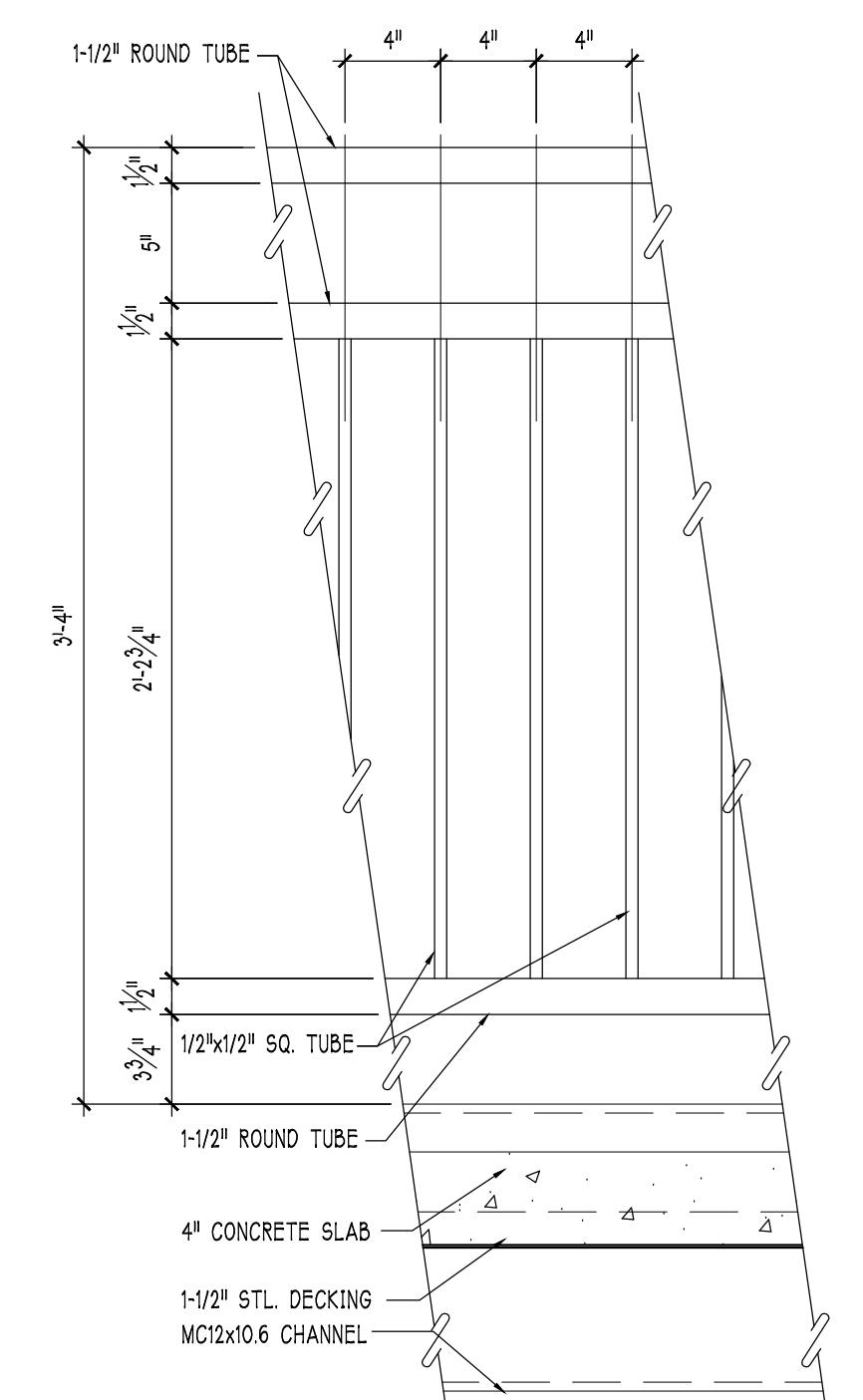
5
T4 **Detail at Bottom**
1-1/2" = 1'-0"



6
T4 **Detail at Intermediate Landing Down**
1-1/2" = 1'-0"



7
T4 **Edge Detail**
1 1/2" = 1'-0"



8
T4 **Railing Elev.**
1 1/2" = 1'-0"

SAMPLE ONLY

COPYRIGHT BY
CREATIVE CONCEPTS AND DESIGN, INC.

Revisions:
1.
2.
3.

Stair Shop Drawings

Details

Project:
Sheet Title:

Status:
FABRICATION DOCUMENTS

Project No.:
Date Issued:
Drawn By:

Sheet Number:

T4 of.