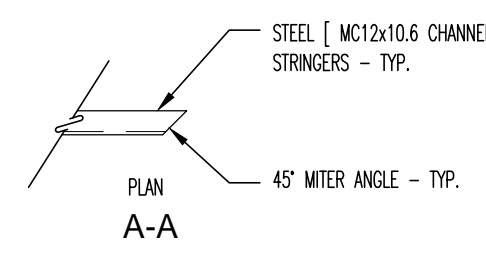
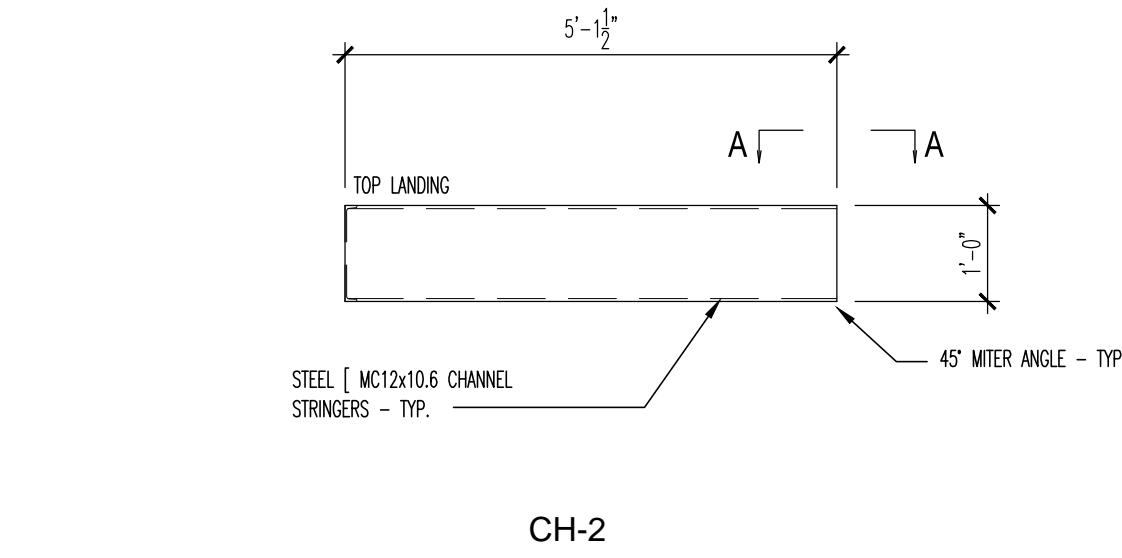


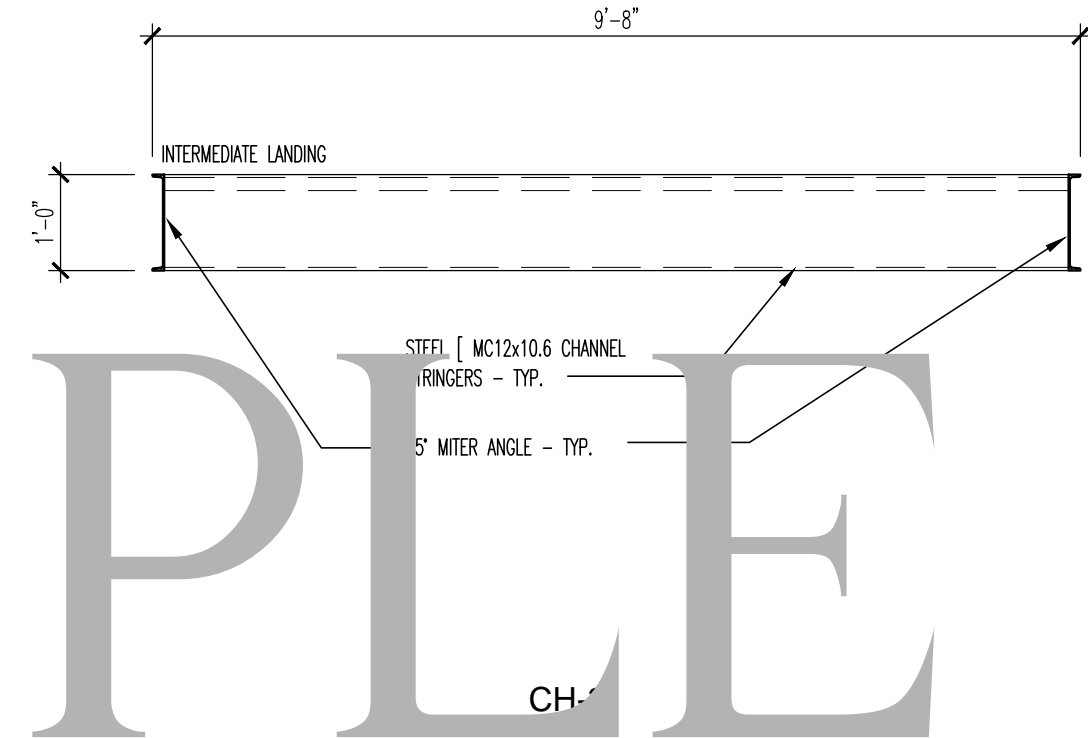
CH-1



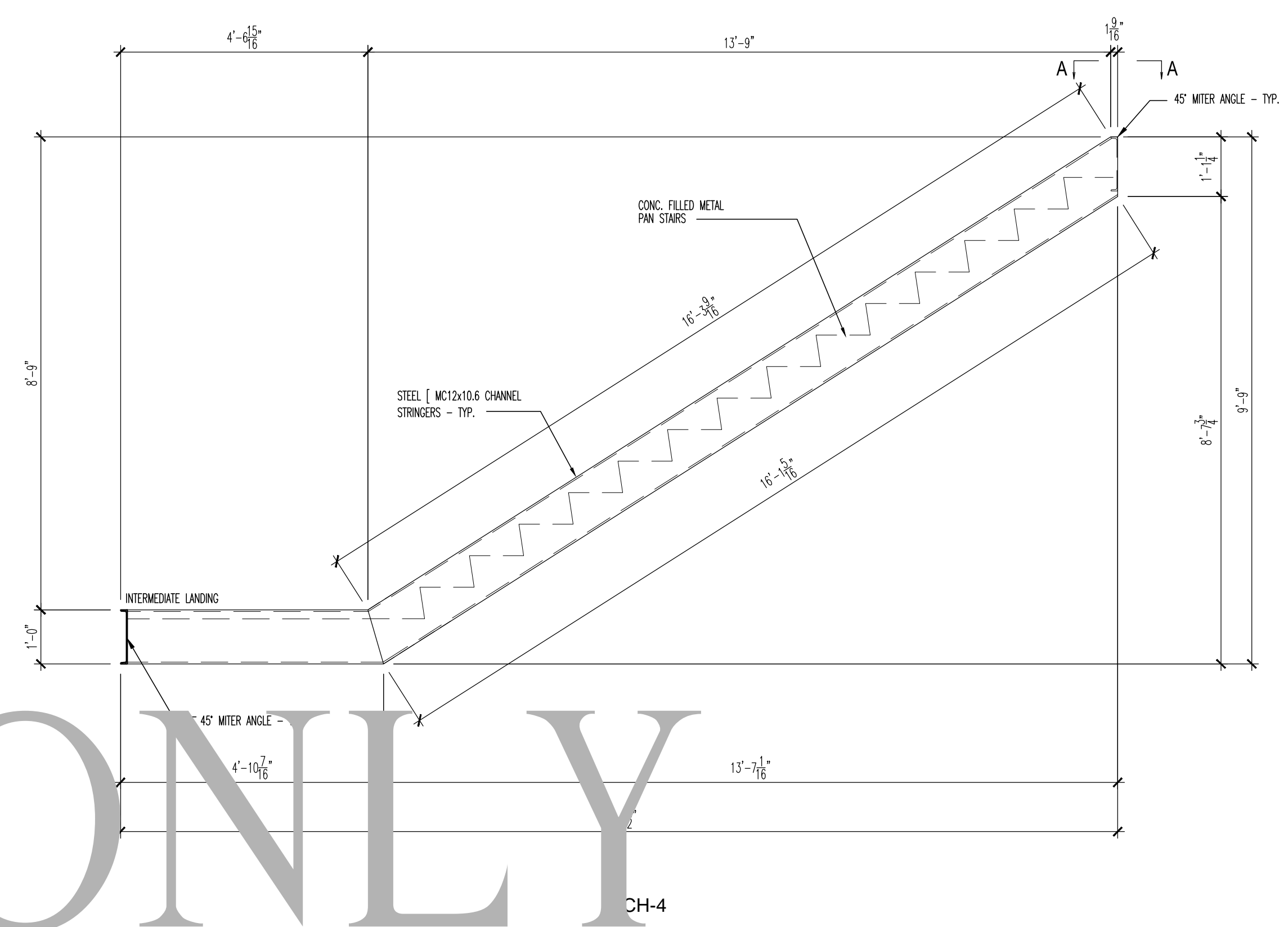
PLAN A-A



CH-2

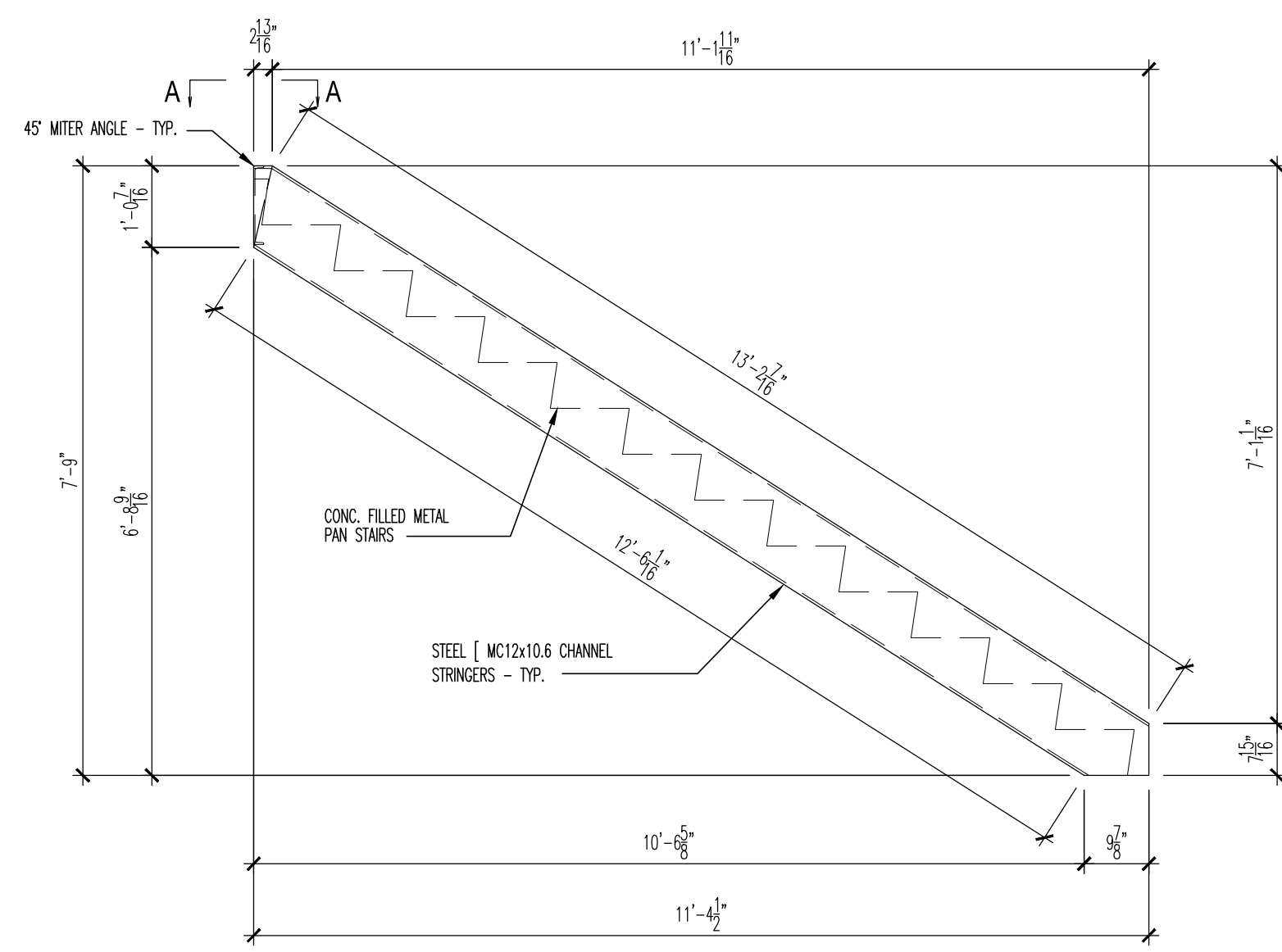


CH-3

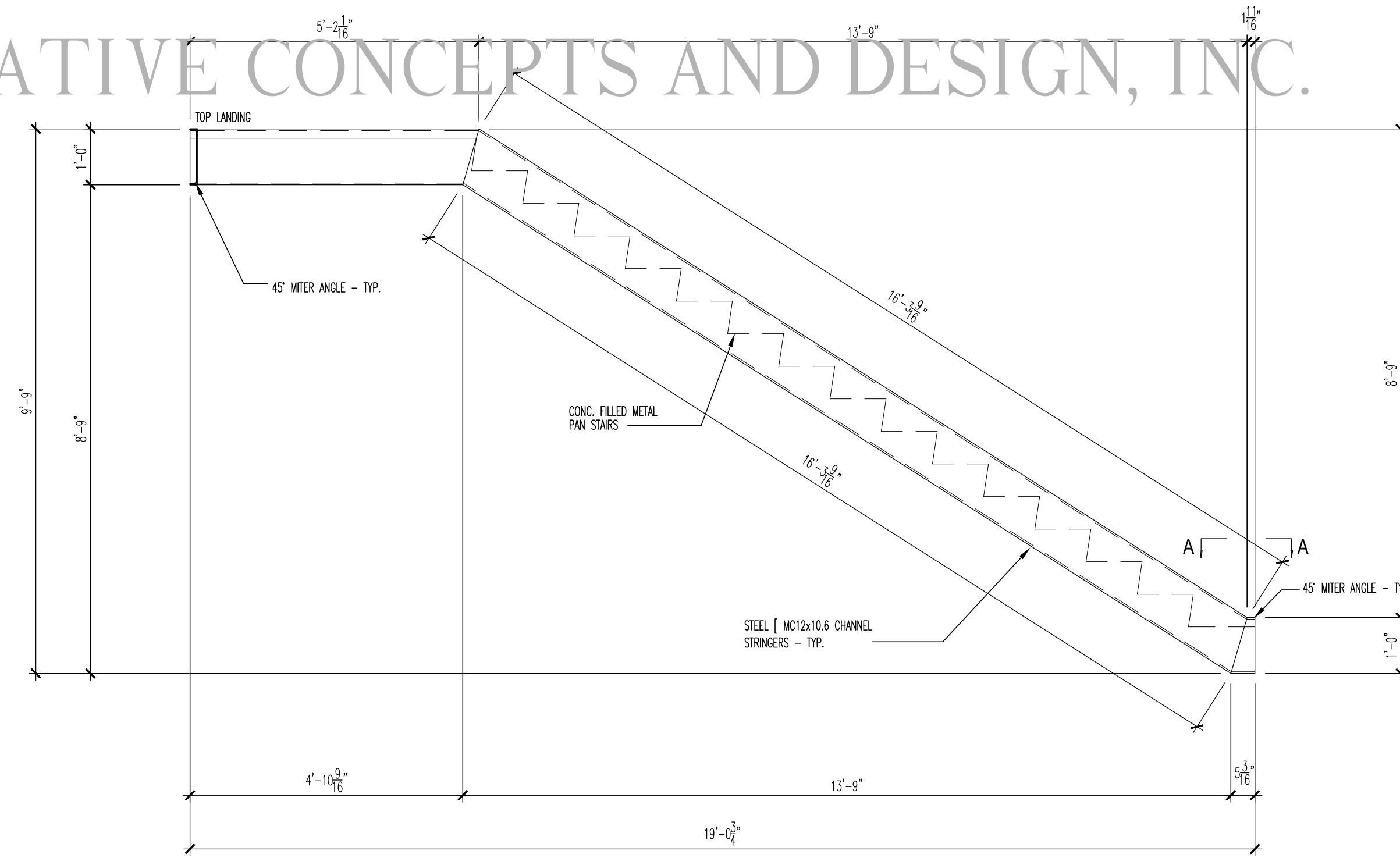


CH-4

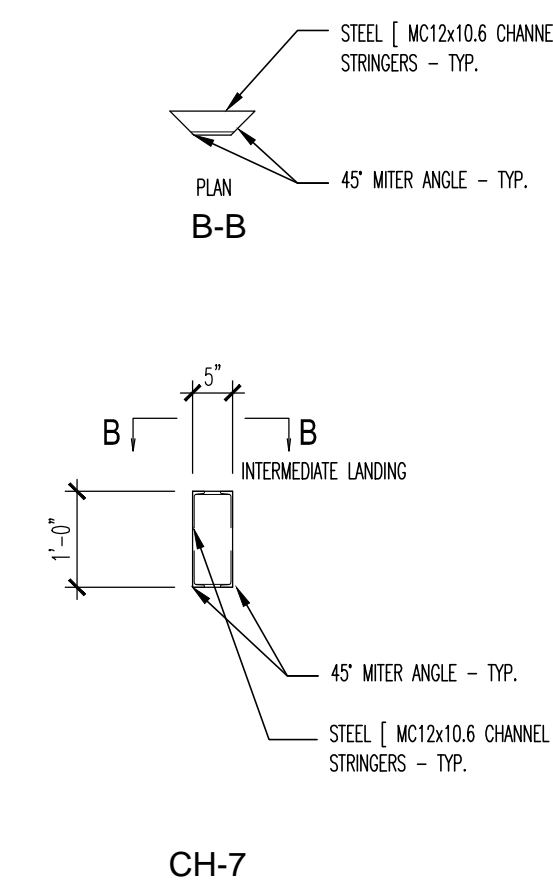
COPYRIGHT BY
CREATIVE CONCEPTS AND DESIGN, INC.



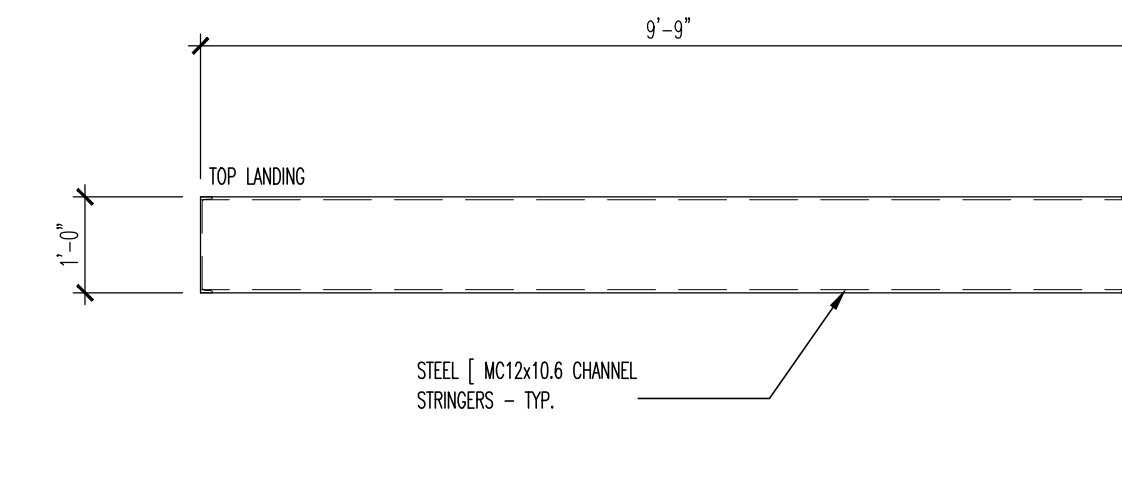
CH-5



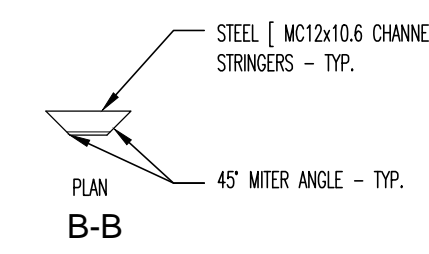
CH-6



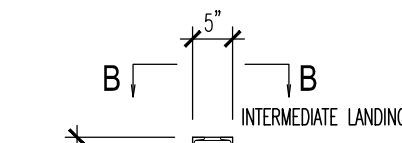
CH-7



CH-8



PLAN B-B



INTERMEDIATE LANDING

Revisions:
1.
2.
3.

Stair Shop Drawings
Stringer Elevations

Project:
Sheet Title:

Status:
FABRICATION DOCUMENTS

Project No.:
Date Issued:
Drawn By:

Sheet Number:

1/3 STRINGER ELEVATIONS
1/2" = 1'-0"

T3 of.