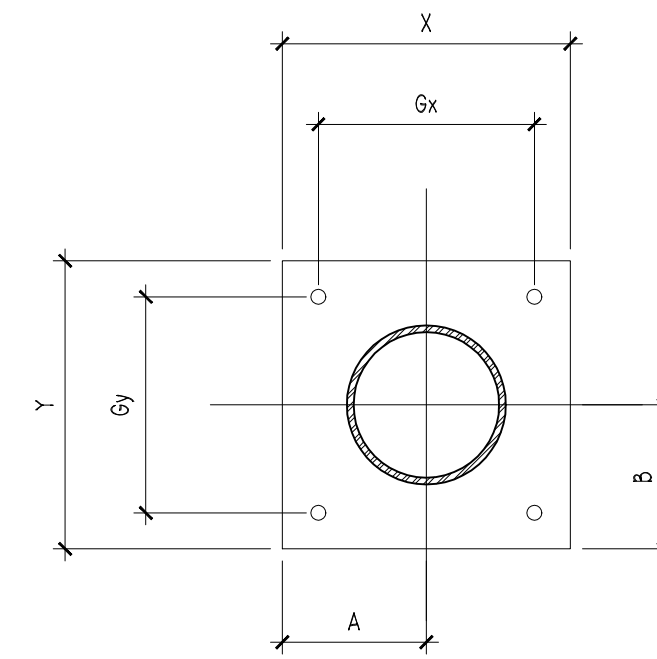
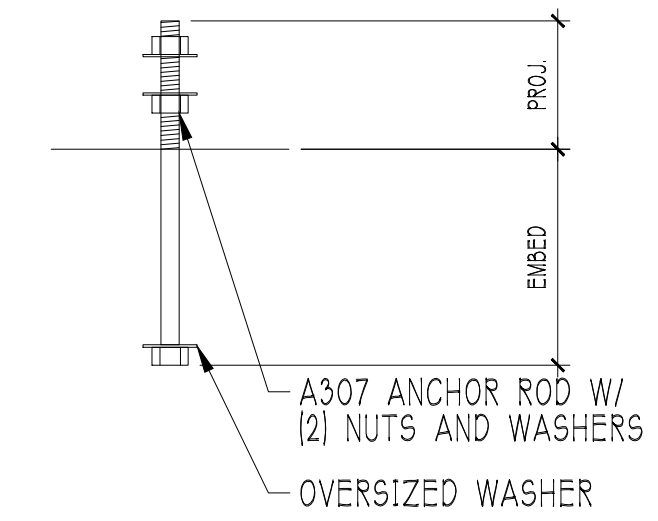


1 Column Layout Plan
T2 1 1/2" = 1'-0"

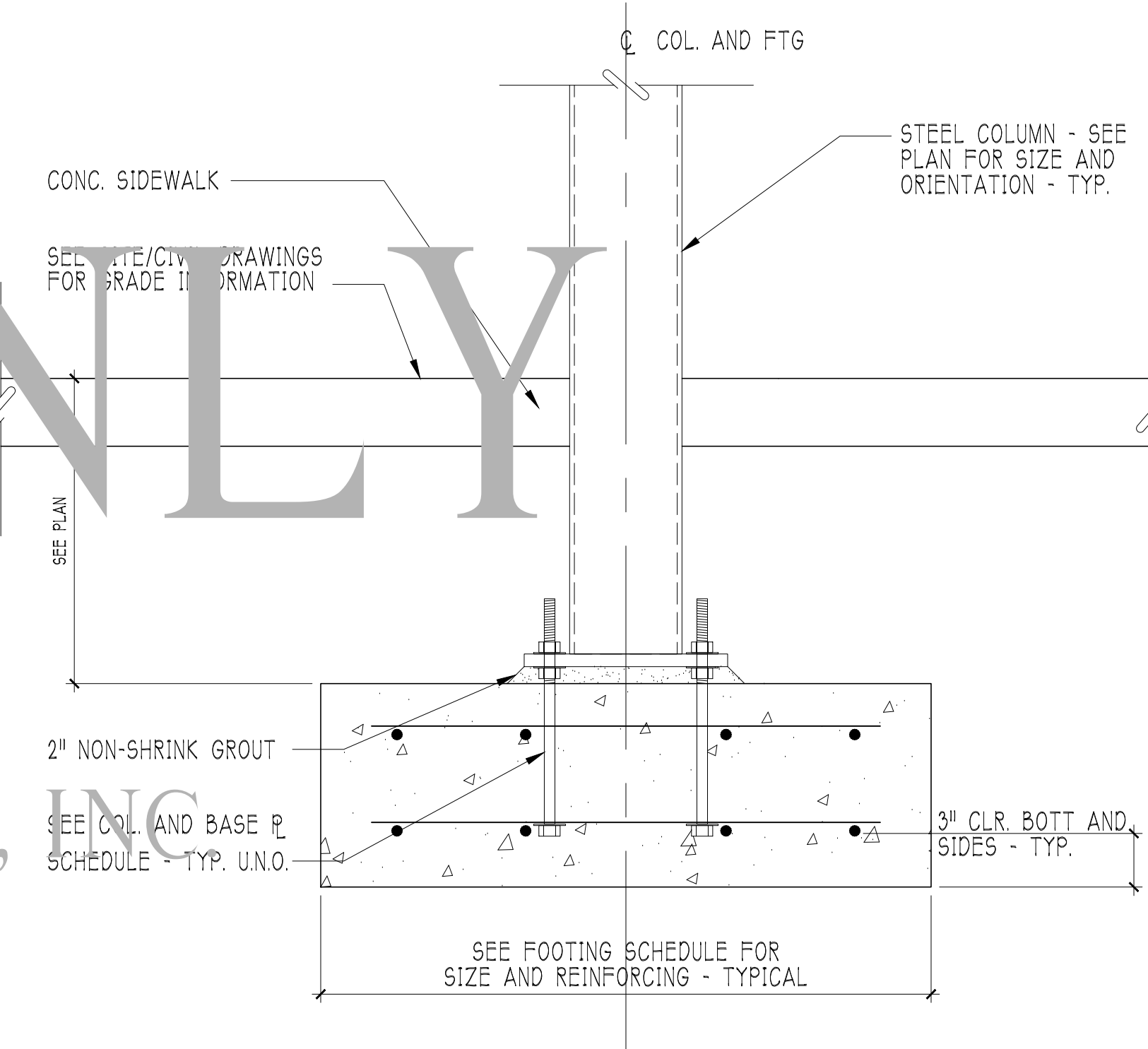


3 Base Plate Detail
T2 1 1/2" = 1'-0"

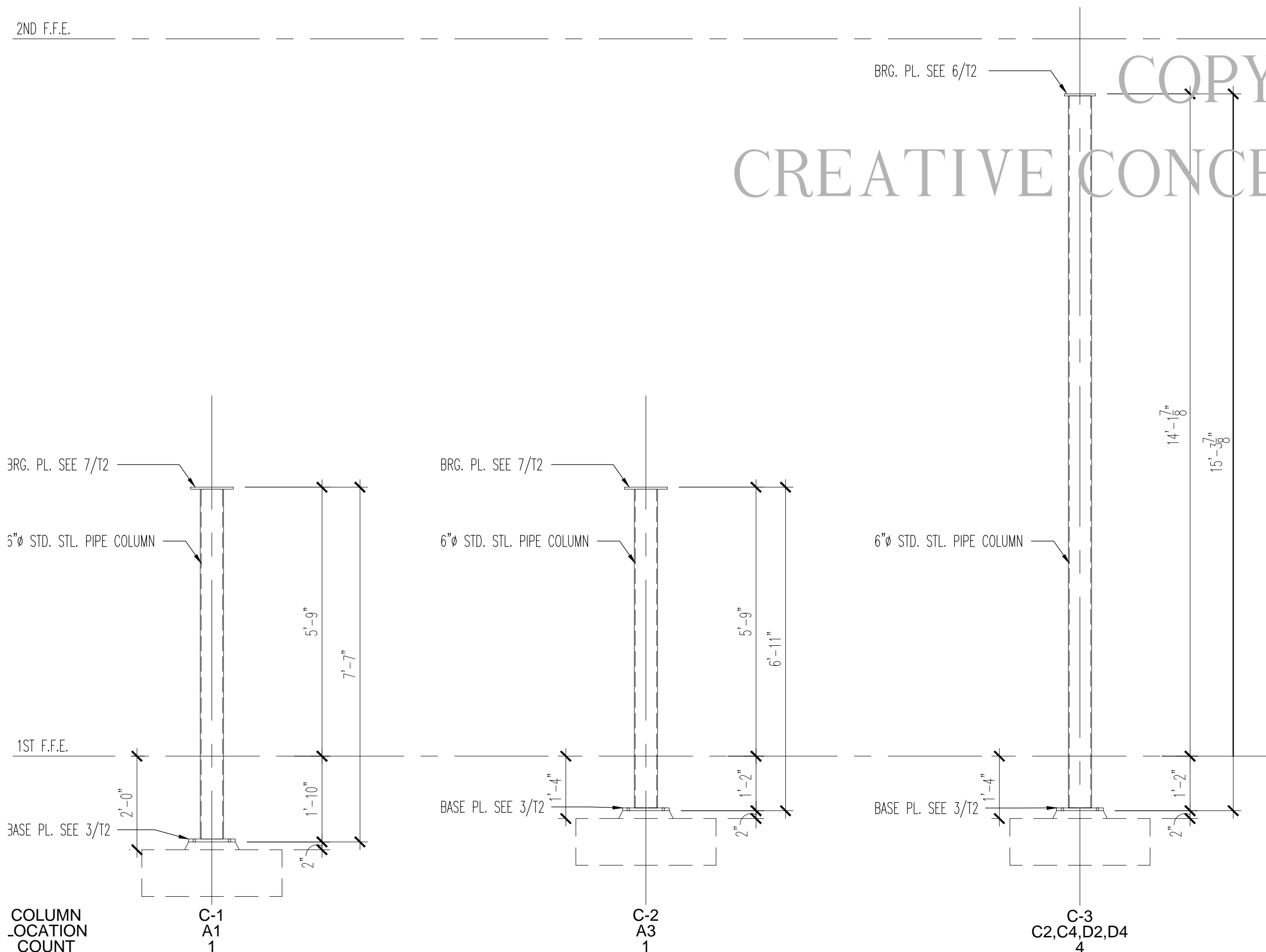


4 Anchor Bolt Detail
T2 1 1/2" = 1'-0"

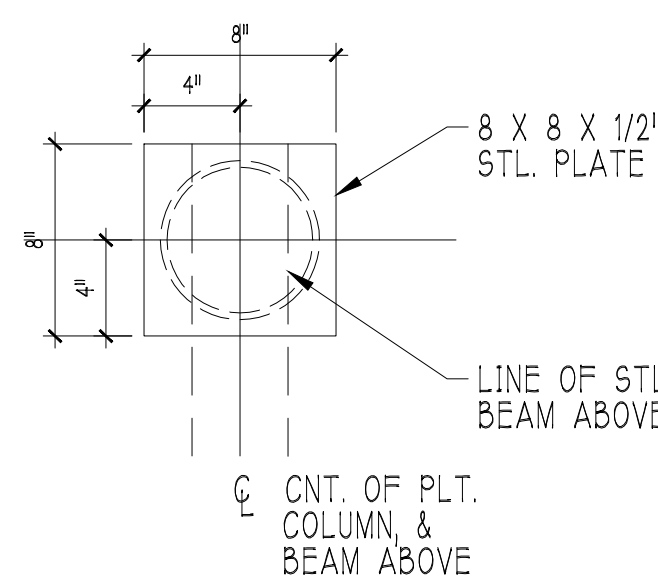
COLUMN	BASE PLATE		GAGE		PLACEMENT		ANCHOR ROD				
	THICK.	X	Y	Gx	Gy	A	B	DETAIL	DIA.	PROJ.	EMBD.
6" Ø STD. STL. PIPE	3/4"	12"	12"	9"	9"	6"	6"	A	3/4"	5"	9"



5 Column Footing Section
T2 1 1/2" = 1'-0"

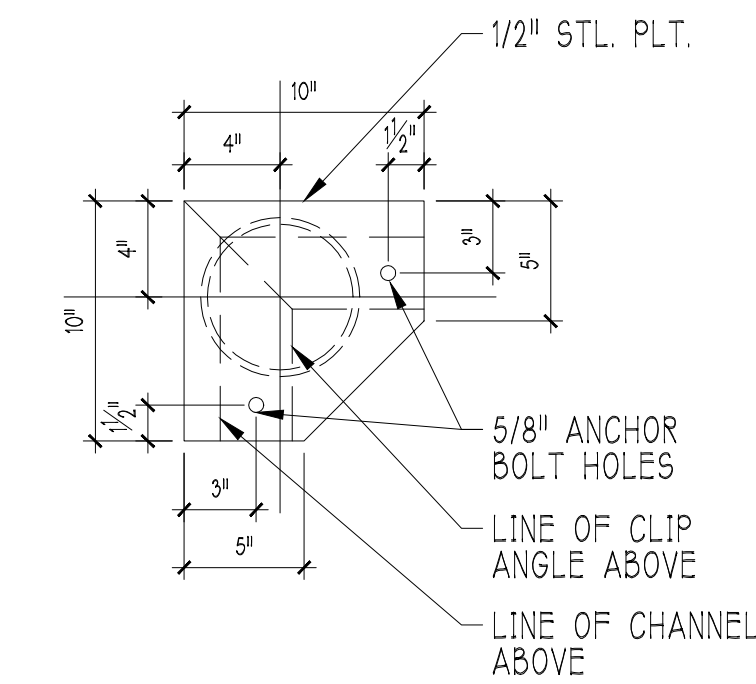


2 Column Elevations
T2 1/2" = 1'-0"



COLUMN LOCATION C-3
COUNT C-2, C-4, D2, D4
4

6 Brg. Plate Detail
T2 1 1/2" = 1'-0"



C-1, C2
A-1, A-3
4

7 Brg. Plate Detail
T2 1 1/2" = 1'-0"

SAMPLE ONLY

COPYRIGHT BY
CREATIVE CONCEPTS AND DESIGN, INC

- Revisions:
- 1.
 - 2.
 - 3.

Project: Stair Shop Drawings
Sheet Title: Column and Anchor Bolt Plans

Status:
FABRICATION DOCUMENTS

Project No.:
Date Issued:
Drawn By:

Sheet Number:

T2

Of.