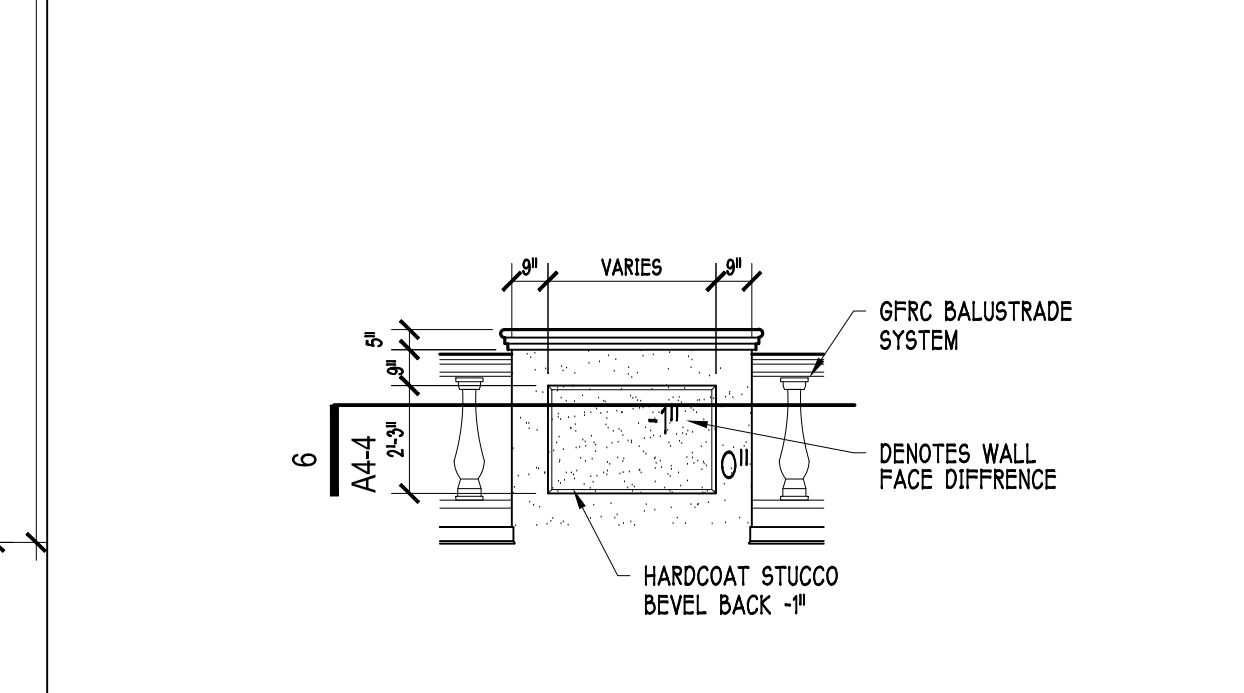
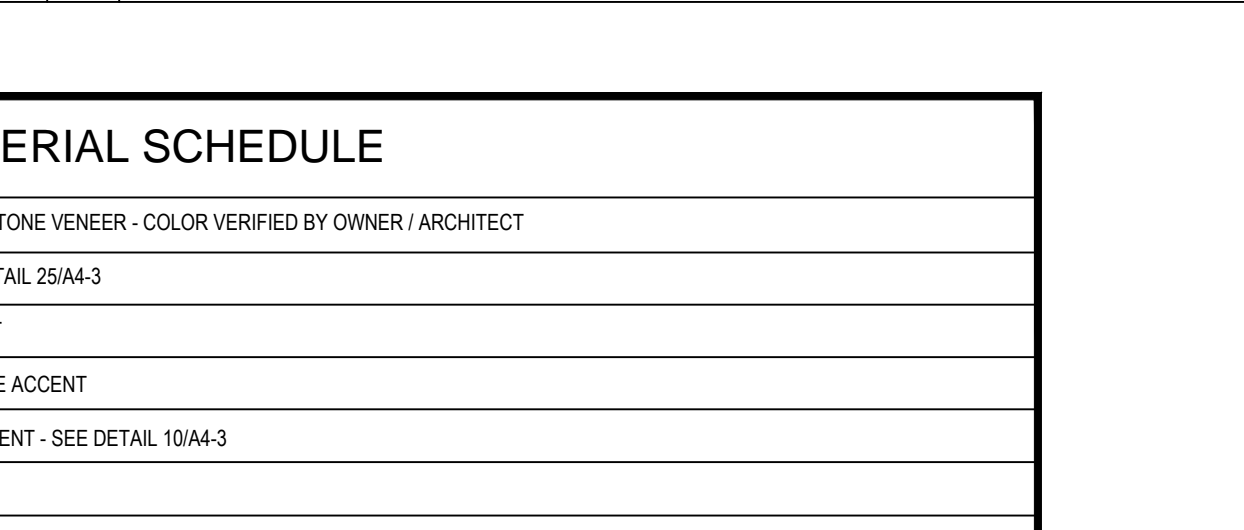


1 SOUTH ELEVATION 1/8"=1'-0"

3 HARDCOAT STUCCO HEAD DETAIL 1/4"=1'-0"

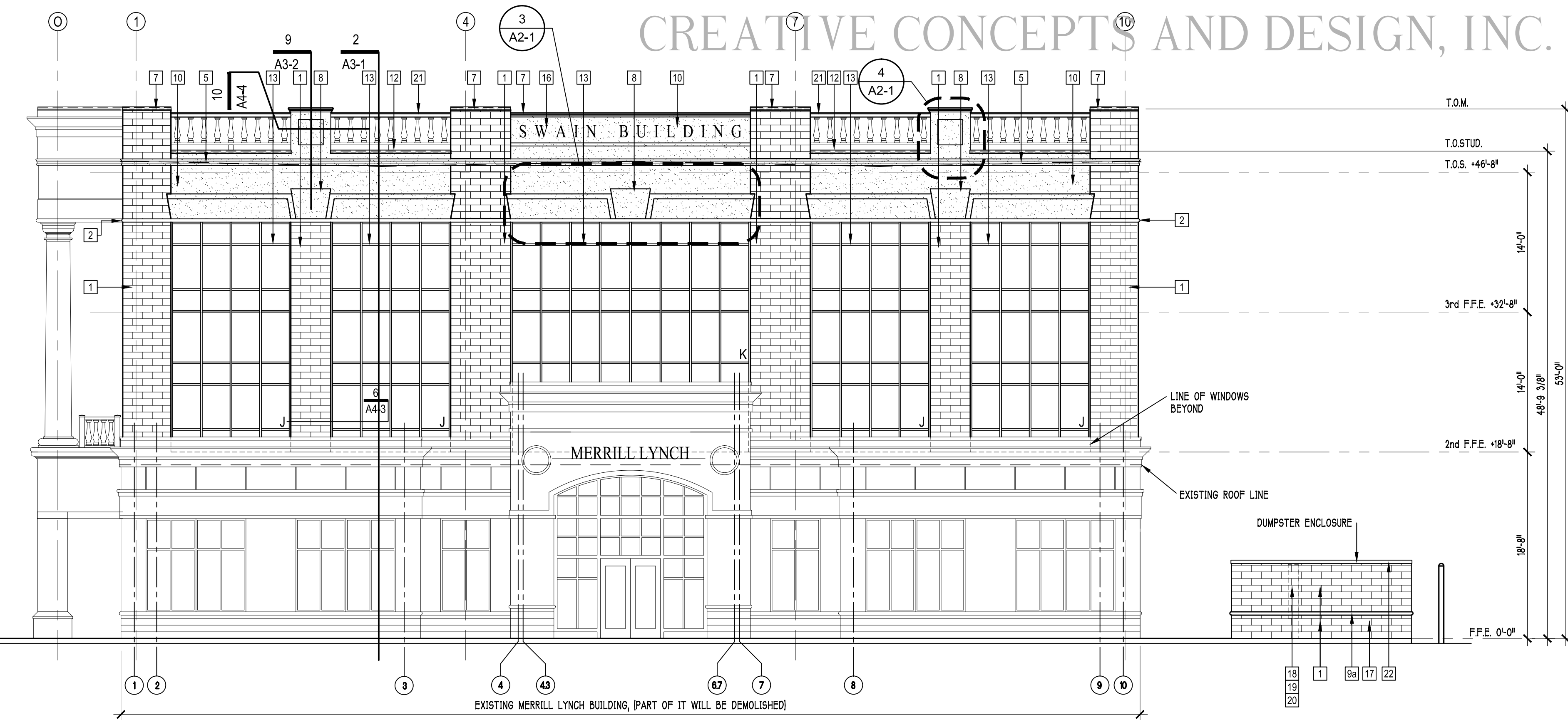


4 HARDCOAT STUCCO PARAPET DETAIL 1/4"=1'-0"



SAMPLE ONLY

COPYRIGHT BY  
CREATIVE CONCEPTS AND DESIGN, INC.



2 WEST ELEVATION 1/8"=1'-0"

EXTERIOR MATERIAL SCHEDULE	
1	8" x 24" x 4" PRE-MANF. ARRISCRAPT STONE VENEER - COLOR VERIFIED BY OWNER / ARCHITECT
2	G.F.R.C. BULL NOSE ACCENT - SEE DETAIL 25/A4-3
3	8" x 24" x 4" PRE-MANF. STONE ACCENT
3a	8" x 24" x 4" PRE-MANF. ARCHED STONE ACCENT
4	DECORATIVE G.F.R.C. WINDOW SILL ACCENT - SEE DETAIL 10/A4-3
5	G.F.R.C. ACCENT - SEE DETAIL 15/A4-3
6	G.F.R.C. TRIM PROFILE - SEE 5/A4-3
7	PRE FINISHED ALUM. SNAP-LOCK COPING SYSTEM EQUAL TO HICKMAN SEE 8/A1-5
8	HARDCOAT STUCCO TRIM WINDOW HEAD ACCENT - SEE 3 / A2-1
9	CAST STONE WATER TABLE
9a	PRECAST BULLNOSE SHAPE
10	HARD COAT STUCCO FINISH SYSTEM - COLOR TO BE SELECTED BY OWNER
11	MANUFACTURED G.F.R.C. COLUMN - SEE DETAIL 8/A4-4
12	PRE FINISHED ALUM. SNAP-LOCK COPING SYSTEM EQUAL TO HICKMAN SEE 2/A1-5
13	ALUMINUM CURTAIN WALL SYSTEM WITH 1" INSULATED GLAZING, CLEAR ANODIZED SEE SHEET A4-2 - MEET SECTION 2406 OF THE 2006 NCSC
14	ALUMINUM STOREFRONT DOOR WITH 1/4" TEMP. GLAZING, CLEAR ANODIZED SEE SHEET A4-2 - MEET SECTION 2406 OF THE 2006 NCSC
15	HOLLOW METAL DOOR & FRAME - PAINTED TO MATCH
16	BUILDING SIGNAGE BY OTHERS
17	GAS METER BANK
18	ELECTRICAL TROUGH
19	TELEPHONE CABINET
20	CABLE CABINET
21	G.F.R.C. BALLUSTER SYSTEM
22	PREMANUFACTURED STONE WALL CAP
23	EMERGENCY ROOF DRAIN LEADER

IMPORTANT NOTES:	
GENERAL	

- PRELIMINARY NOT FOR CONSTRUCTION
- ISSUED FOR BIDDING
- ISSUED FOR PERMIT
- ISSUED FOR CONSTRUCTION

Owner \_\_\_\_\_

EXTERIOR ELEVATIONS AND EXTERIOR MATERIALS SCHEDULE

Sheet Title \_\_\_\_\_

MULTI-STORY BUILDING ADDITION

Project \_\_\_\_\_

Drawn By \_\_\_\_\_

Issue Date: \_\_\_\_\_  
Drawing File Name \_\_\_\_\_

Revisions  
 No. \_\_\_\_\_ Date \_\_\_\_\_  
 No. \_\_\_\_\_ Date \_\_\_\_\_  
 No. \_\_\_\_\_ Date \_\_\_\_\_  
 No. \_\_\_\_\_ Date \_\_\_\_\_

Project Number \_\_\_\_\_

Building \_\_\_\_\_

Sheet \_\_\_\_\_ Of \_\_\_\_\_