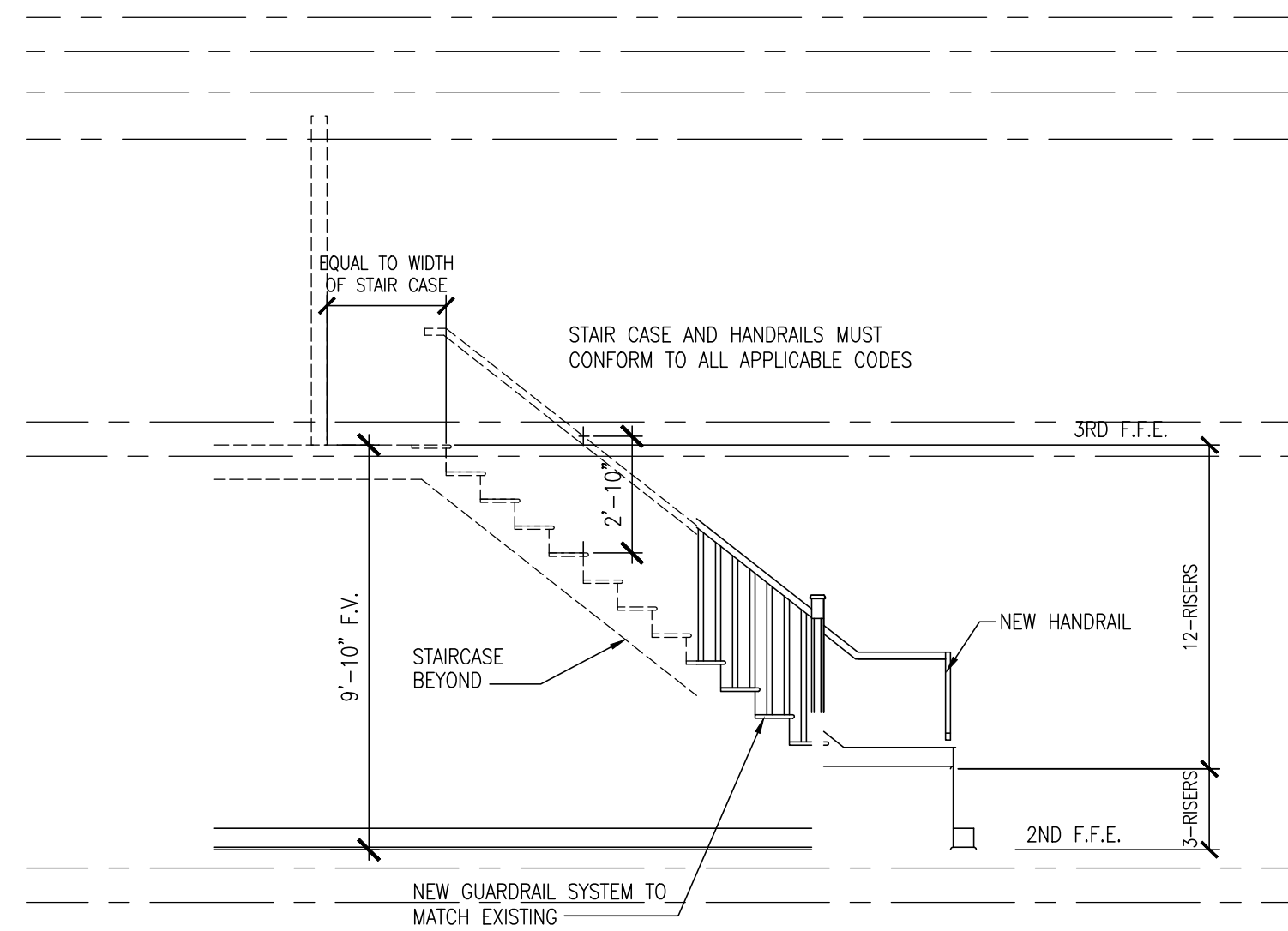
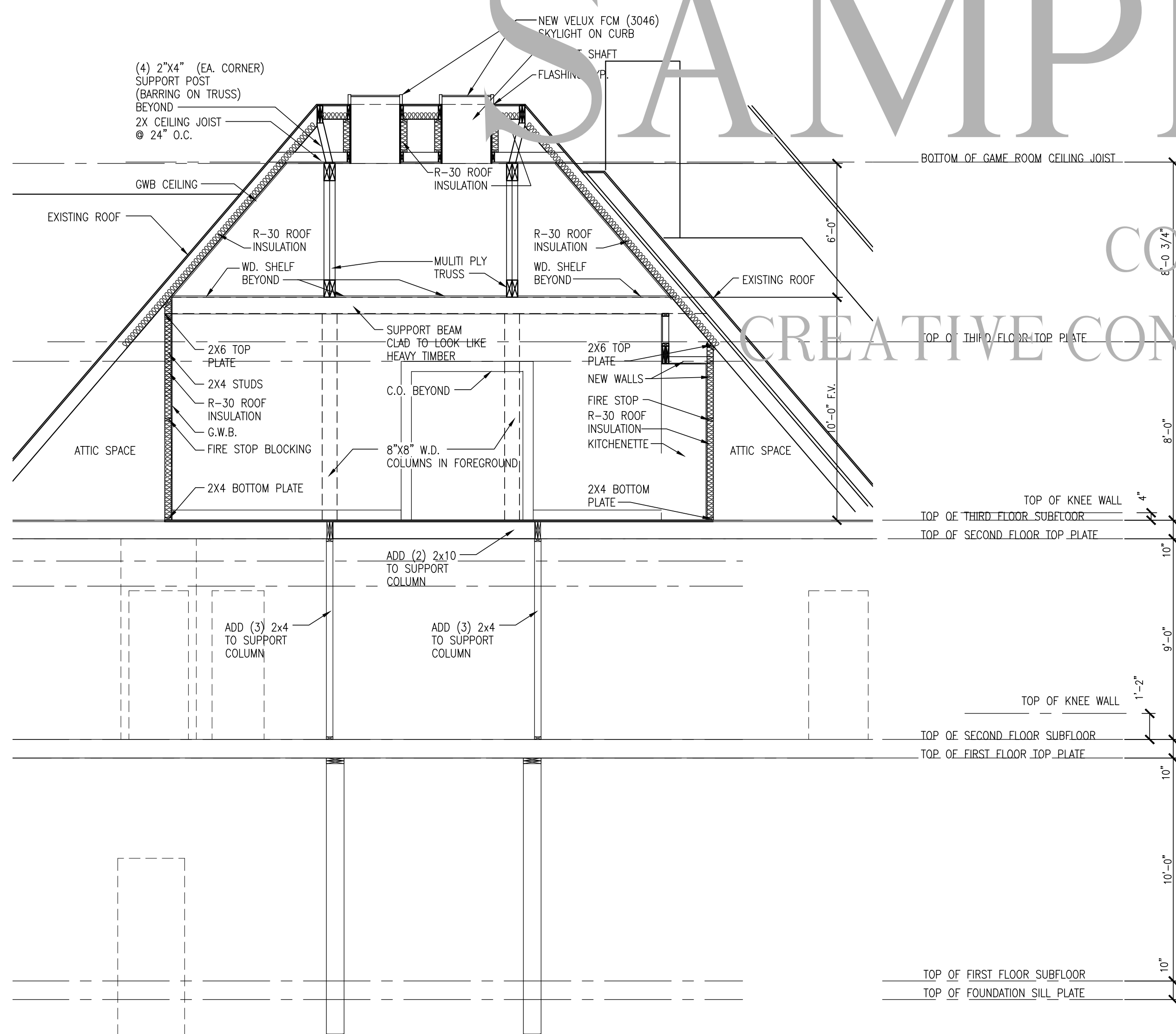


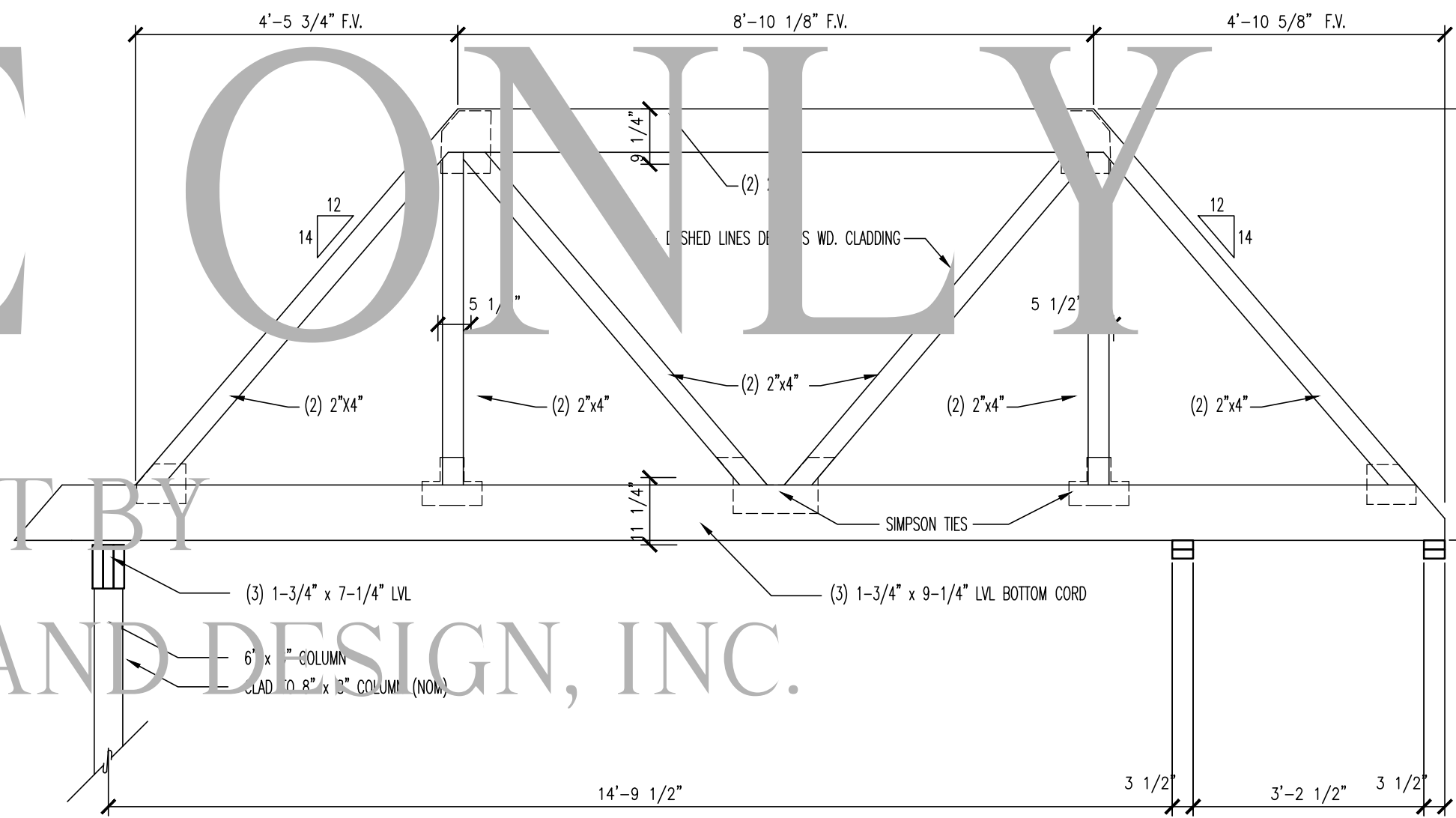
**1** Roof Plan  
A-4 SCALE: 1/8" = 1'-0"



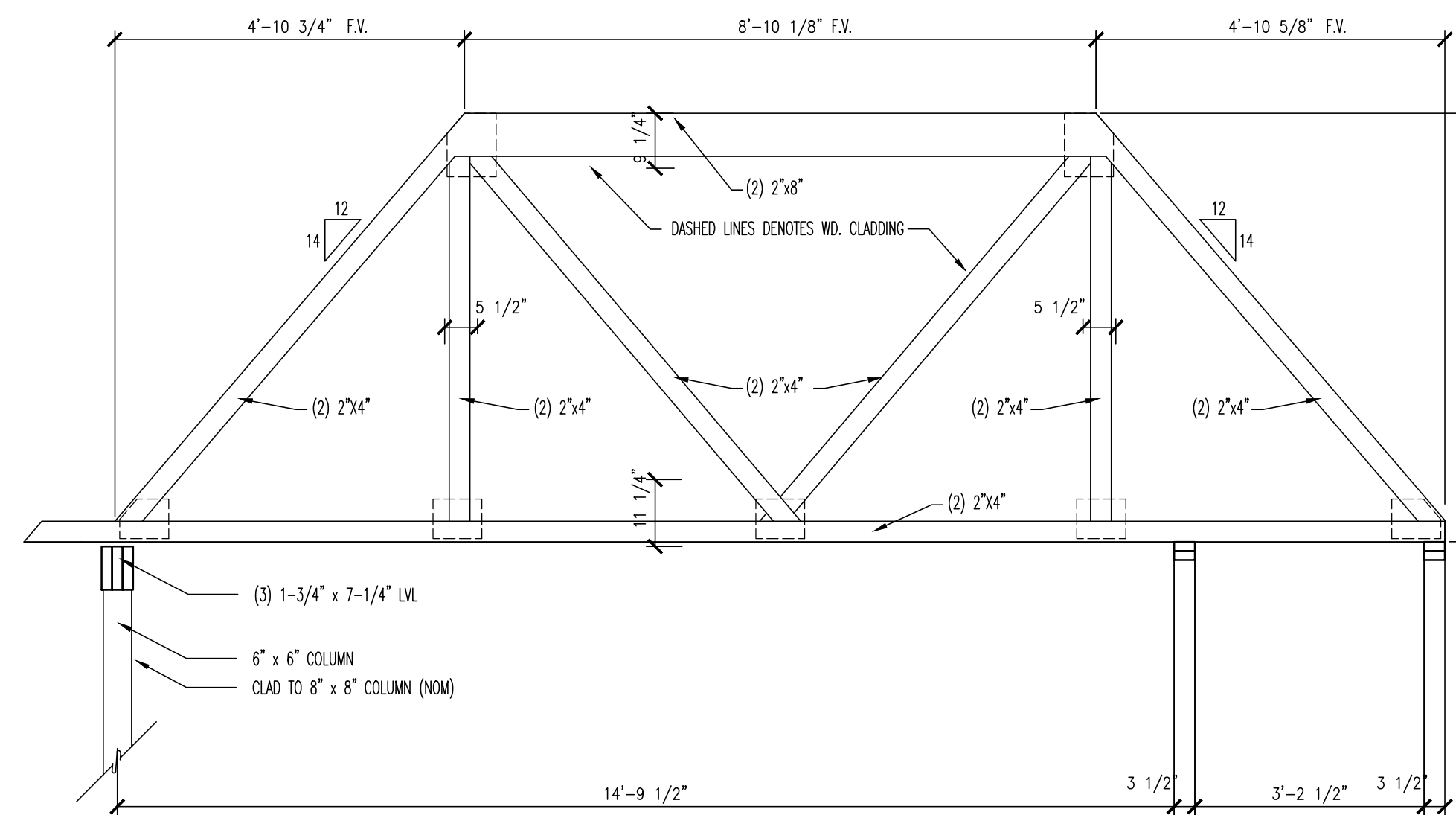
**3** STAIR DETAIL  
A-4 SCALE: 1/4" = 1'-0"



**2** BUILDING SECTION  
A-4 SCALE: 1/4" = 1'-0"



**4** OUTER TRUSS DETAIL  
A-4 SCALE: 1/2" = 1'-0"



**5** INNER TRUSS DETAIL  
A-4 SCALE: 1/2" = 1'-0"

**PRIVATE RESIDENCE RENOVATION**

SAMPLE ONLY

COPYRIGHT BY  
CREATIVE CONCEPTS AND DESIGN, INC.

**Roof Plan and Details**

REVISIONS:

PROJECT #:  
DATE:  
DRAWN BY:  
FILENAME:

SHEET #

**A-4**

OF