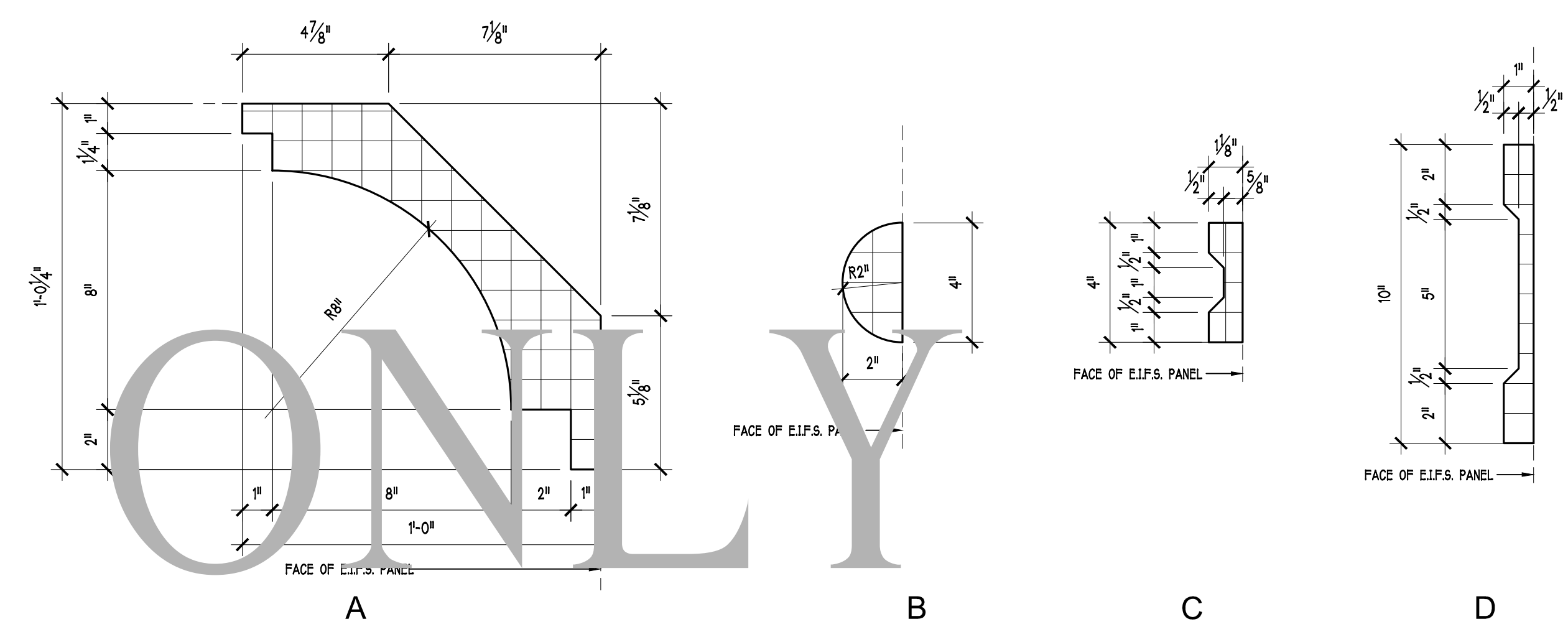
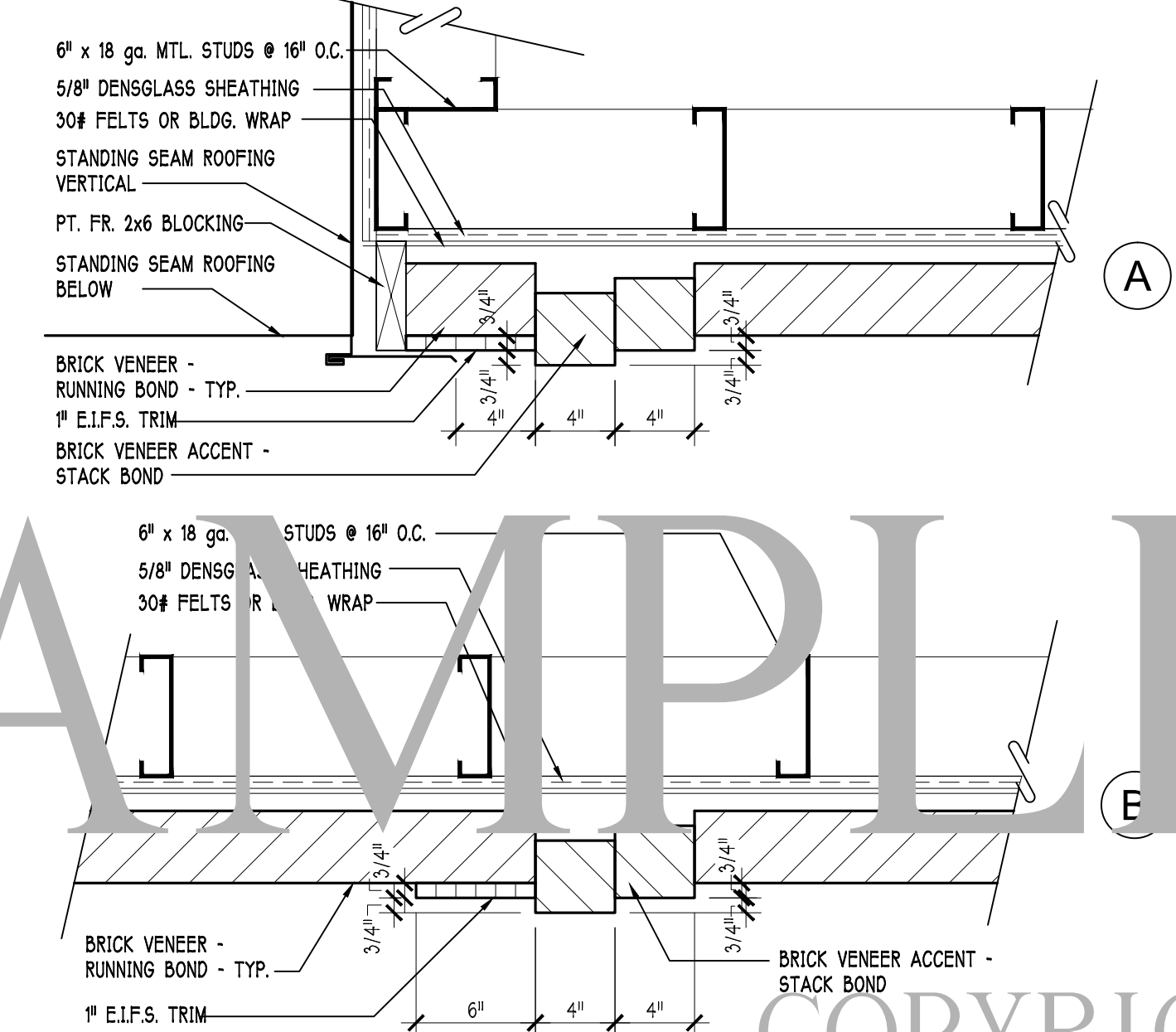


2 ACCESSIBLE RAMP ELEVATION 1/4" = 1'-0"

4 EXTERIOR HANDRAIL @ STAIR 1/4" = 1'-0"

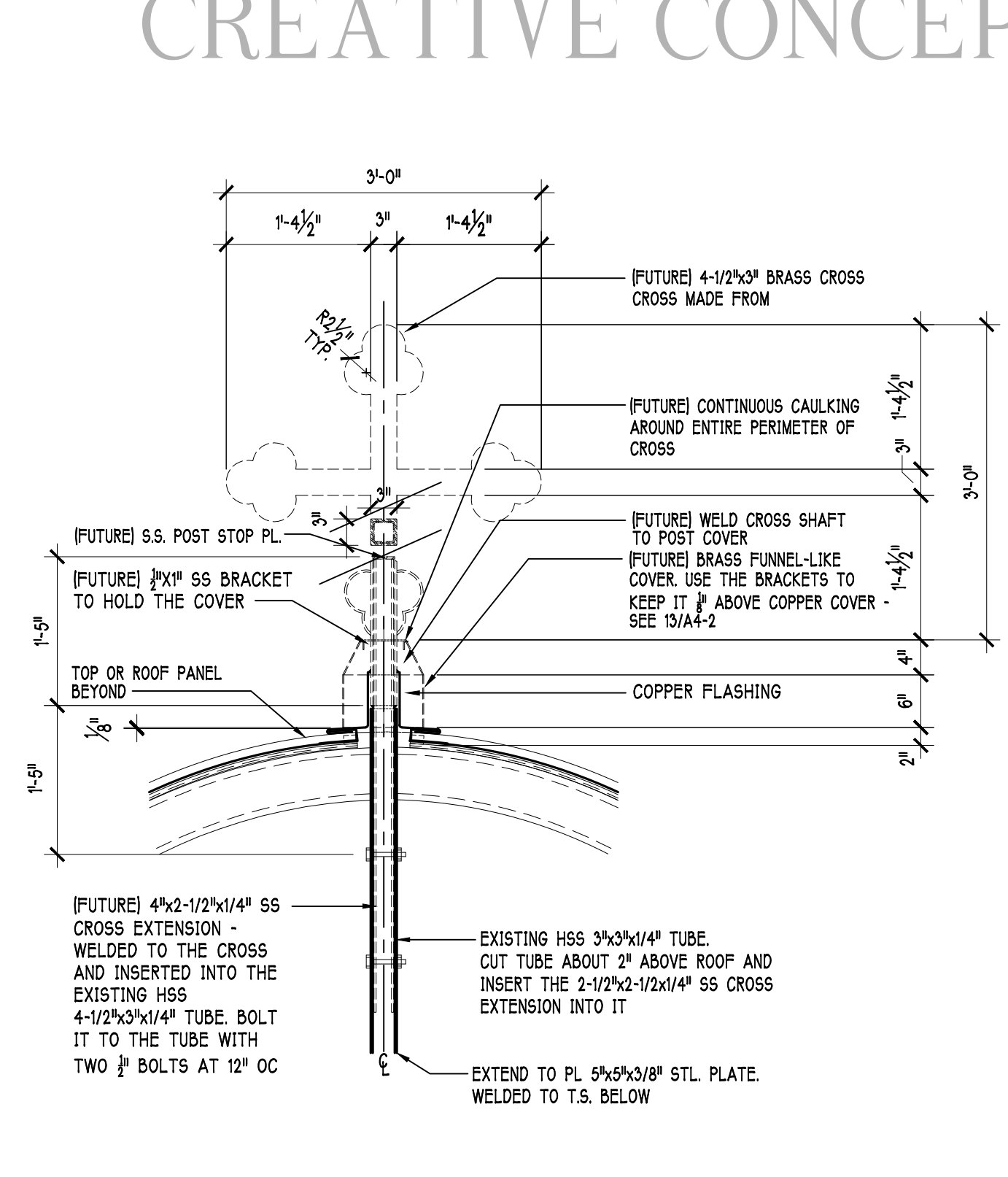
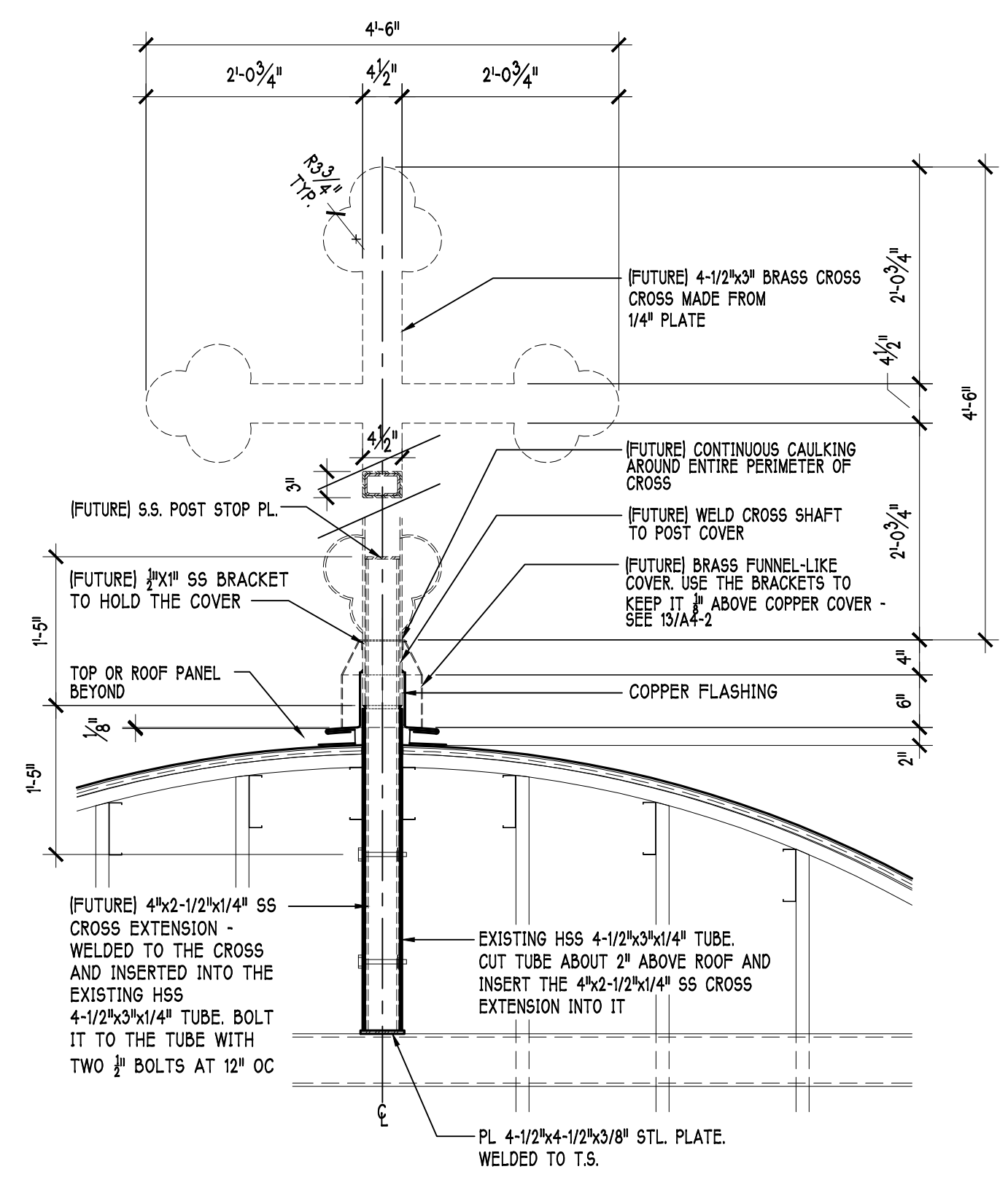
5 TYP. COLUMN PLAN DETAIL 1 1/2" = 1'-0"



7 BRICK TRIM DETAIL 1 1/2" = 1'-0"

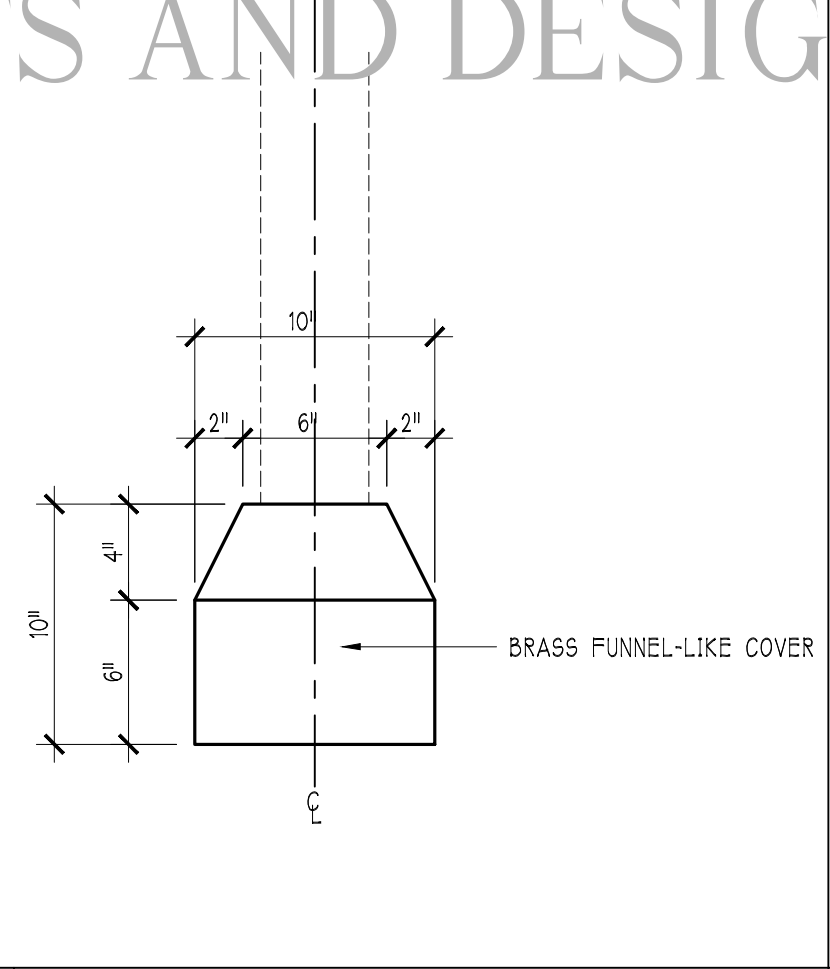
8 E.I.F.S. PROFILE DETAILS 3" = 1'-0"

6 COLUMN DETAIL 3/4" = 1'-0"

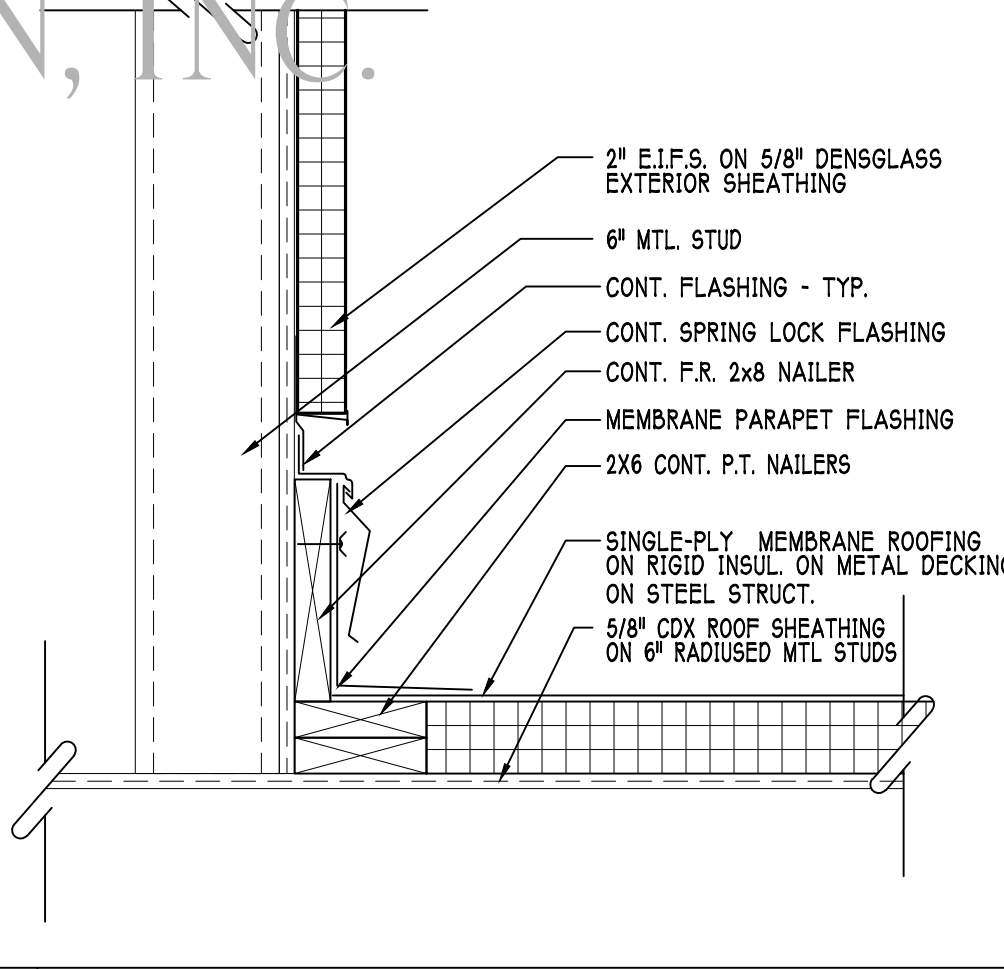


16 FUTURE CROSS "A" DETAIL 3/4" = 1'-0"

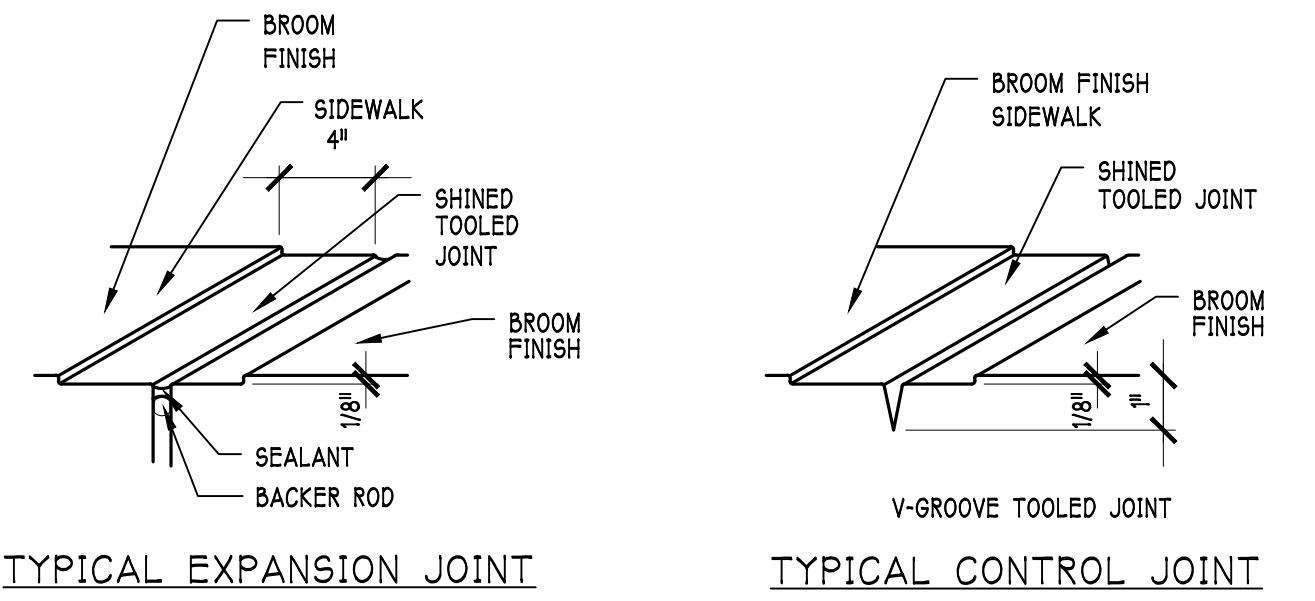
17 FUTURE CROSS "B" DETAIL 3/4" = 1'-0"



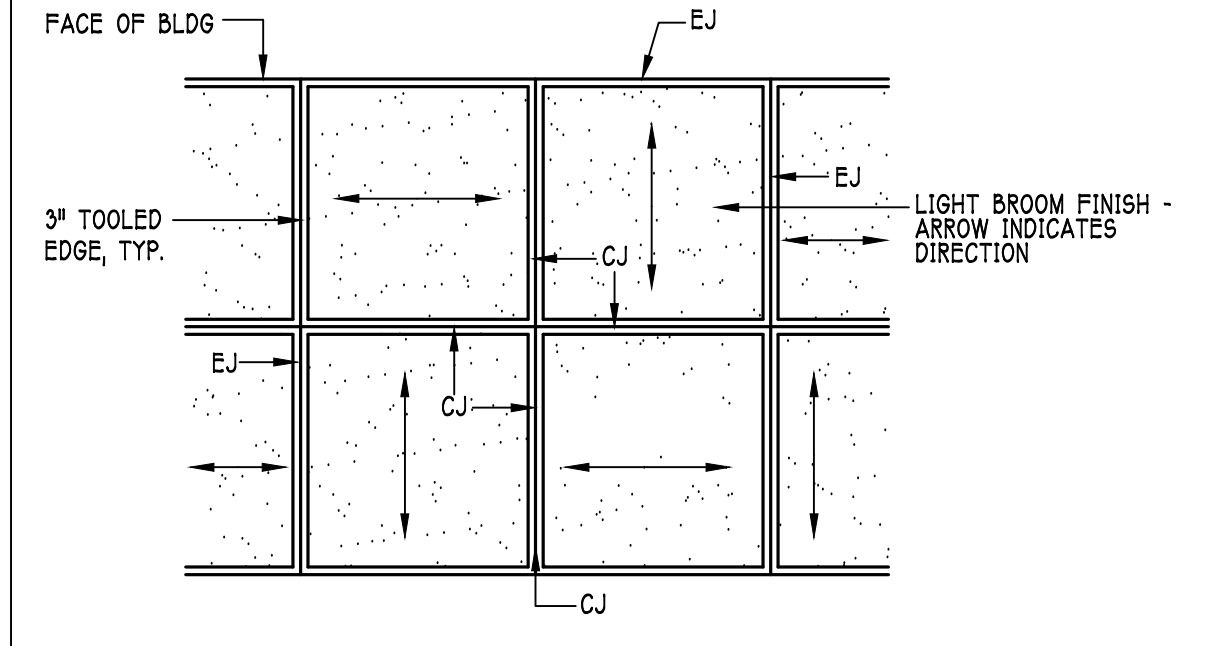
13 CROSS COVER DETAIL 3/4" = 1'-0"



15 ROOF DETAIL 1-1/2" = 1'-0"



18 CONCRETE JOINT DETAILS 1 1/2" = 1'-0"



19 SIDEWALK JOINT TOOLING DETAIL 1/4" = 1'-0"

COPYRIGHT BY CREATIVE CONCEPTS AND DESIGN, INC.

Owner
EXTERIOR DETAILS

Sheet Title

Seal
NARTHEX ADDITION

Project
Drawn By
Issue Date:
Drawing File Name

Revisions
No. _____ Date _____
No. _____ Date _____
No. _____ Date _____
No. _____ Date _____
No. _____ Date _____

Project Number

Building

Sheet _____ of _____