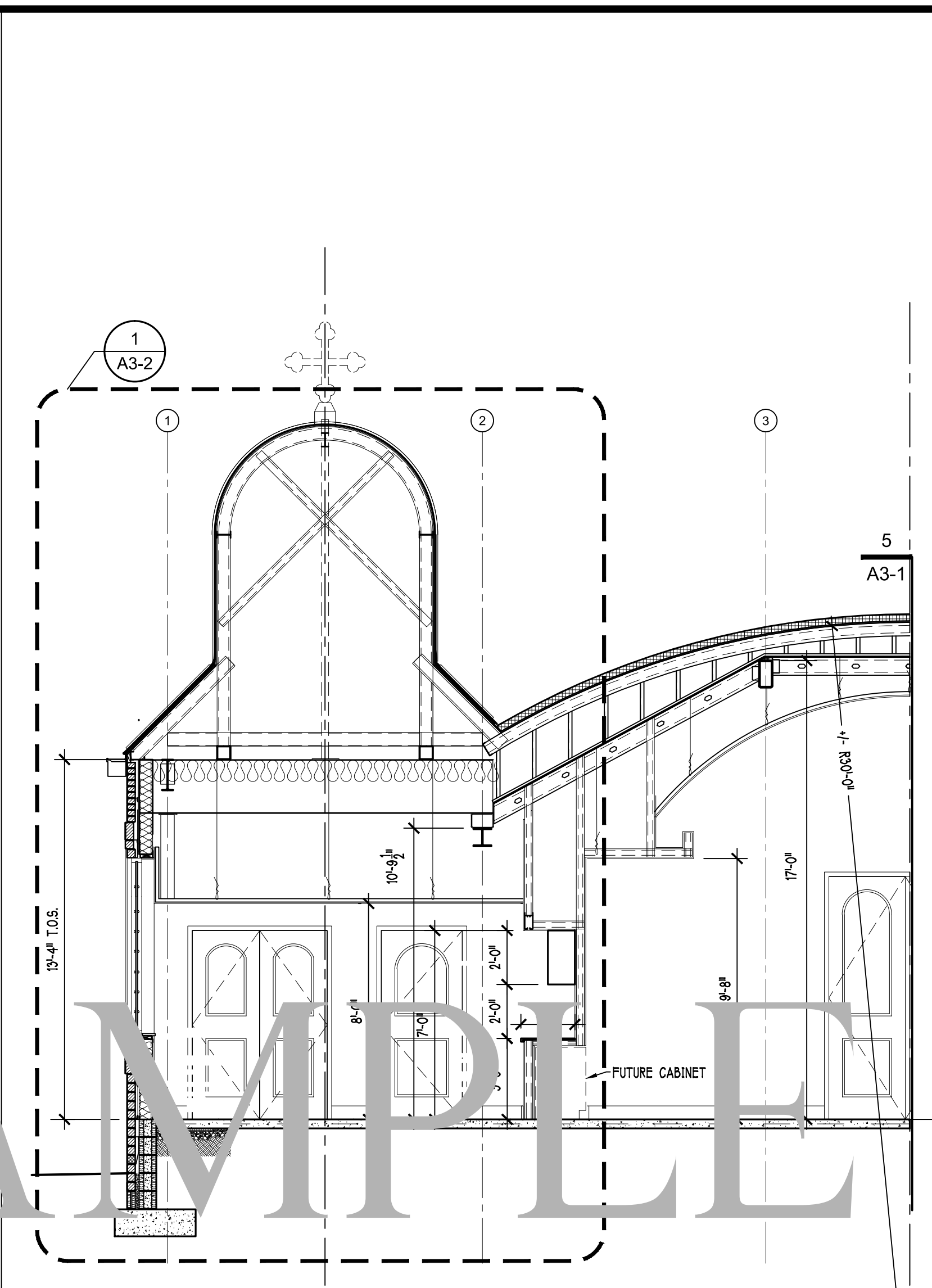
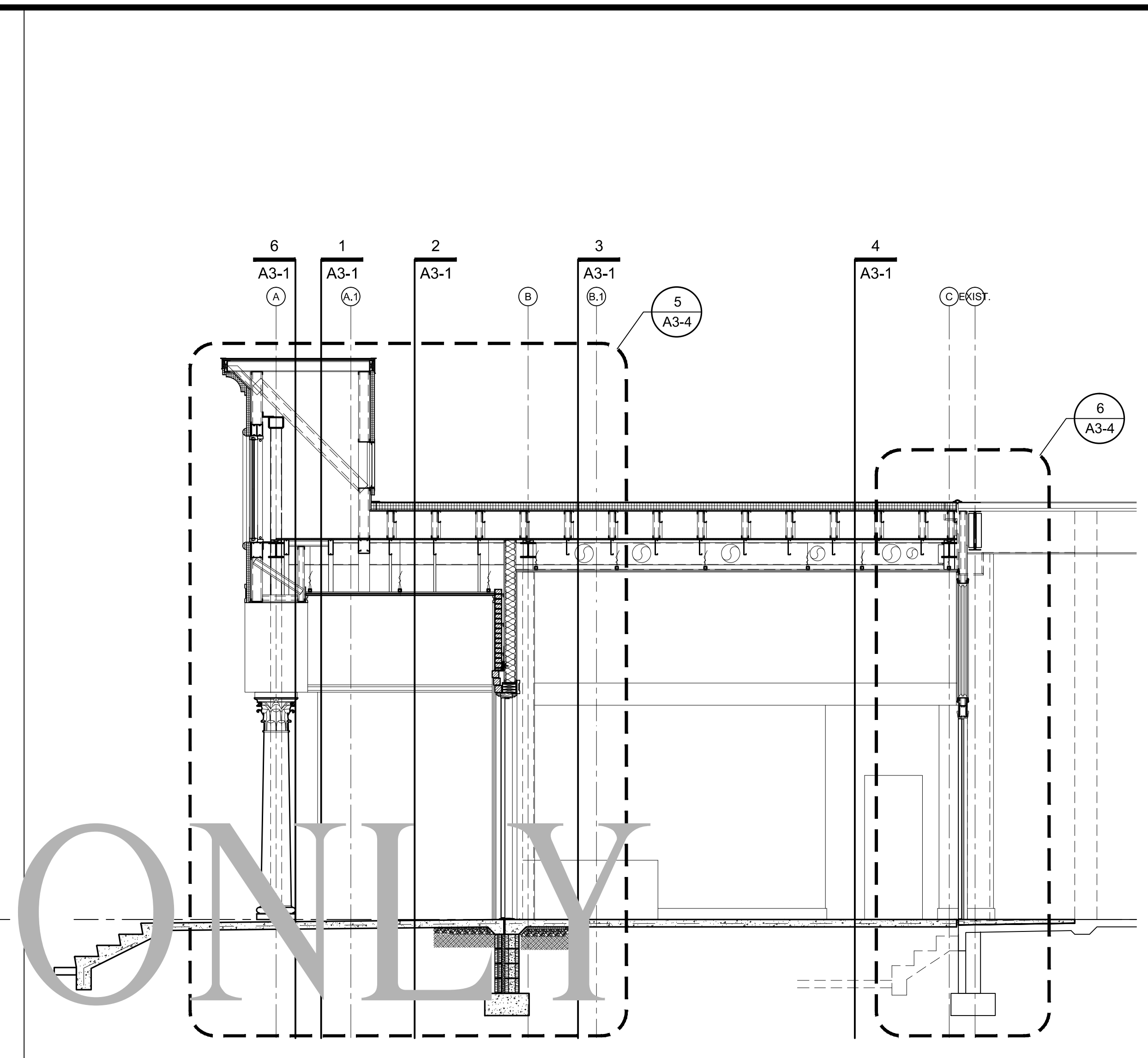


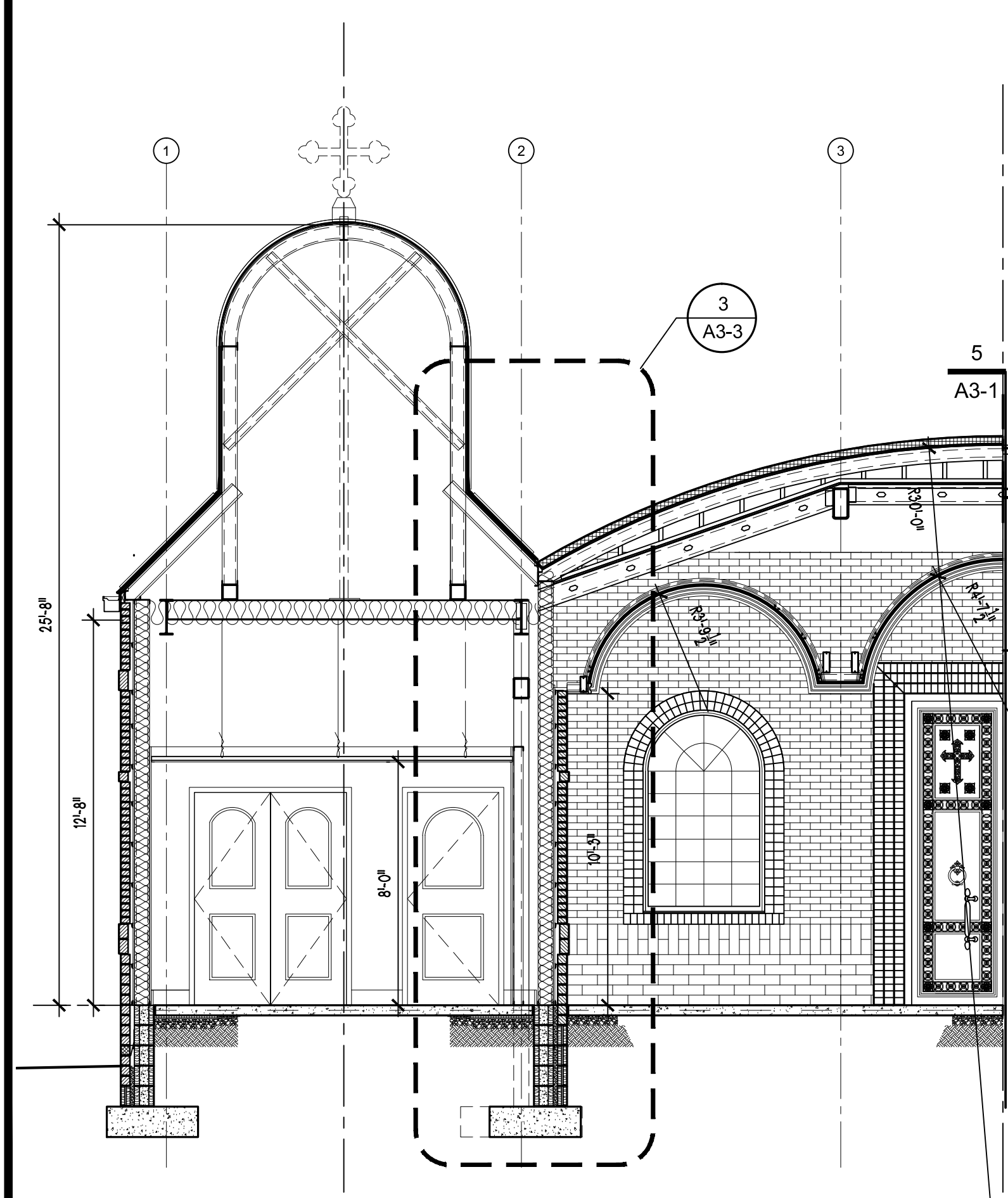
1 PARTIAL BUILDING SECTION 1/4"=1'-0"



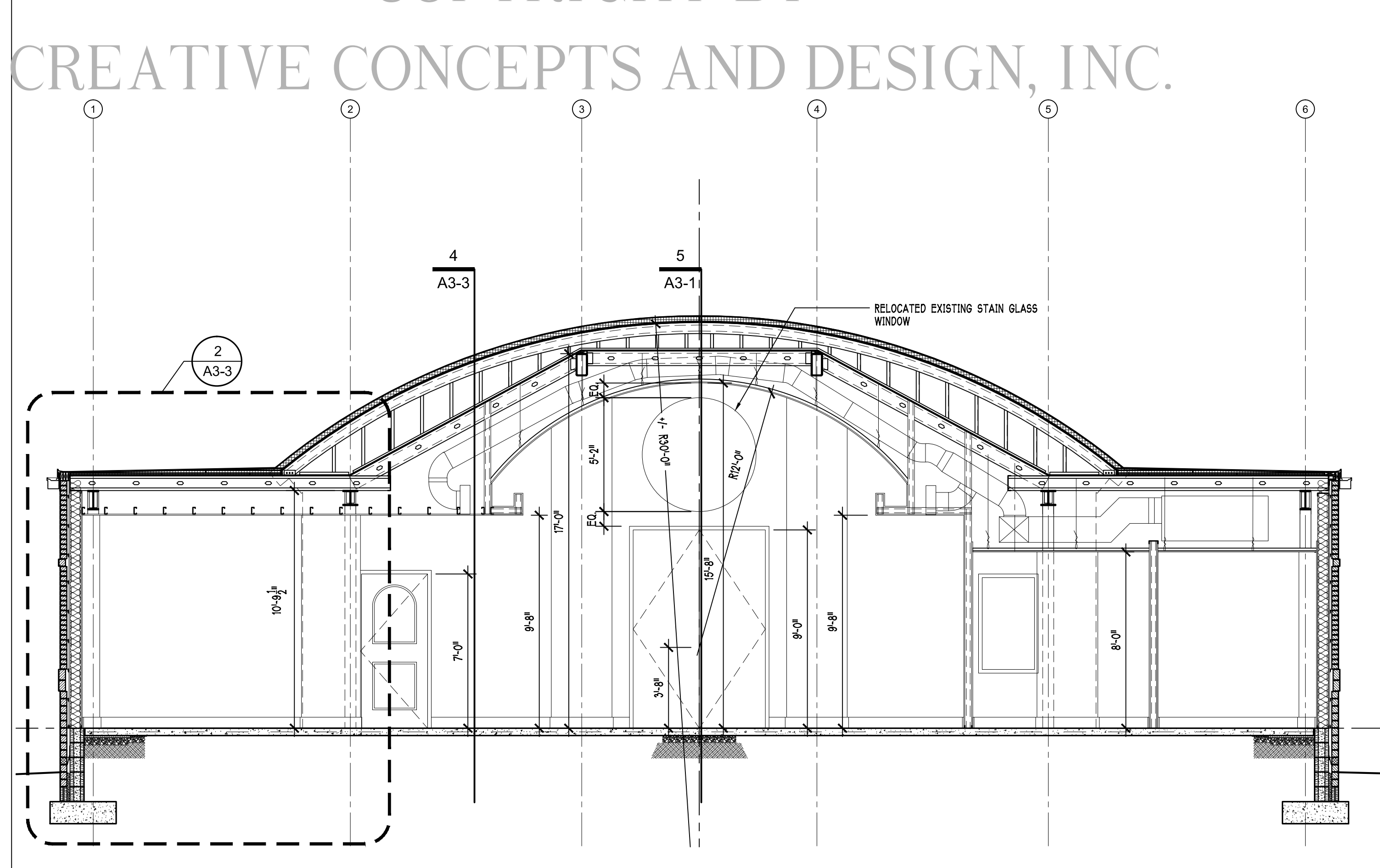
3 PARTIAL BUILDING SECTION 1/4"=1'-0"



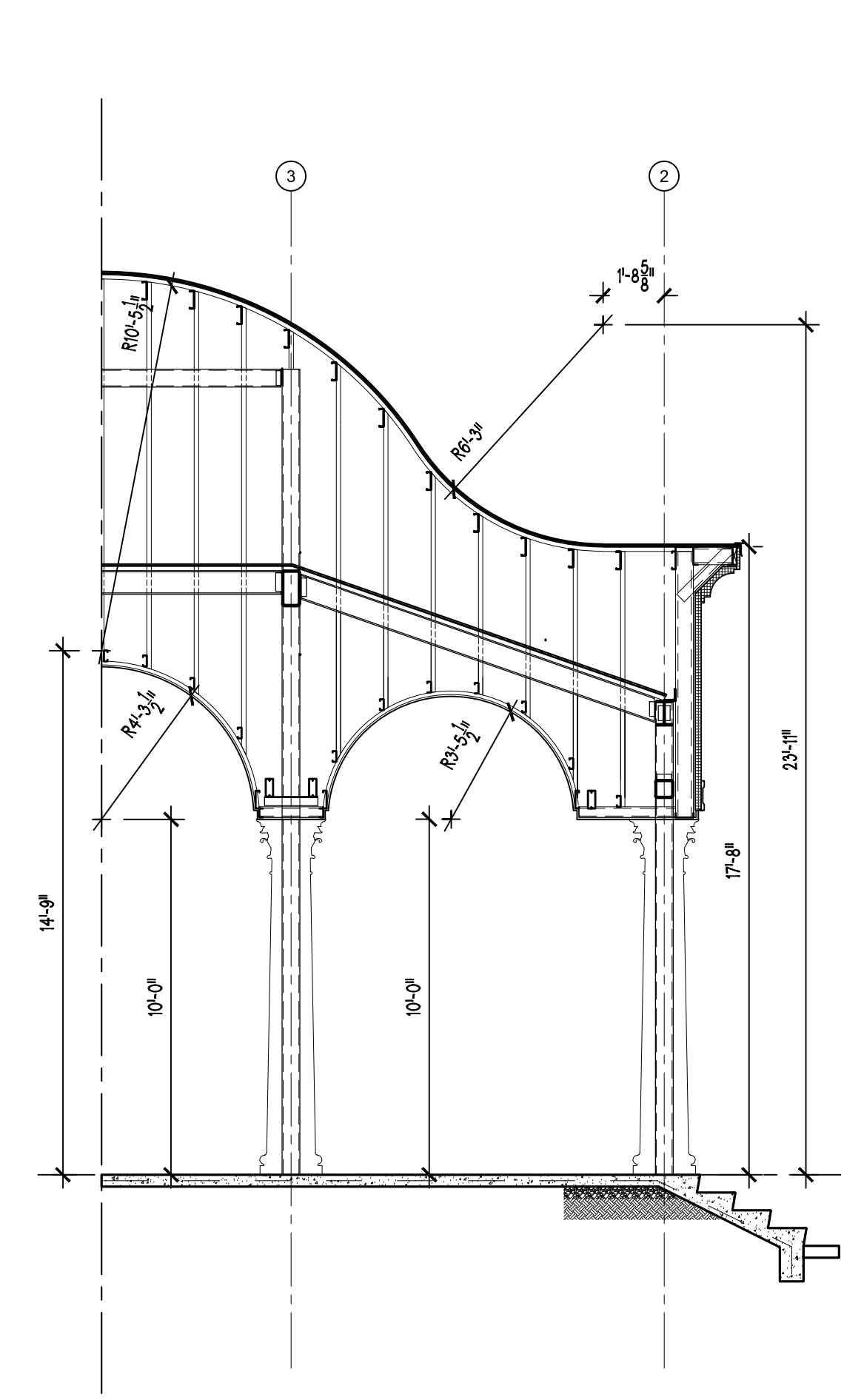
5 PARTIAL BUILDING SECTION 1/4"=1'-0"



2 PARTIAL BUILDING SECTION 1/4"=1'-0"



4 BUILDING SECTION 1/4"=1'-0"



6 PARTIAL BUILDING SECTION 1/4"=1'-0"

SAMPLE ONLY

COPYRIGHT BY
CREATIVE CONCEPTS AND DESIGN, INC.

Owner _____

BUILDING SECTIONS

Sheet Title _____

Seal _____

NARTHEX ADDITION

Project _____

Drawn By _____

Issue Date: _____
Drawing File Name _____

Revisions	No.	Date

Project Number _____

Building _____

Sheet **A3-1**