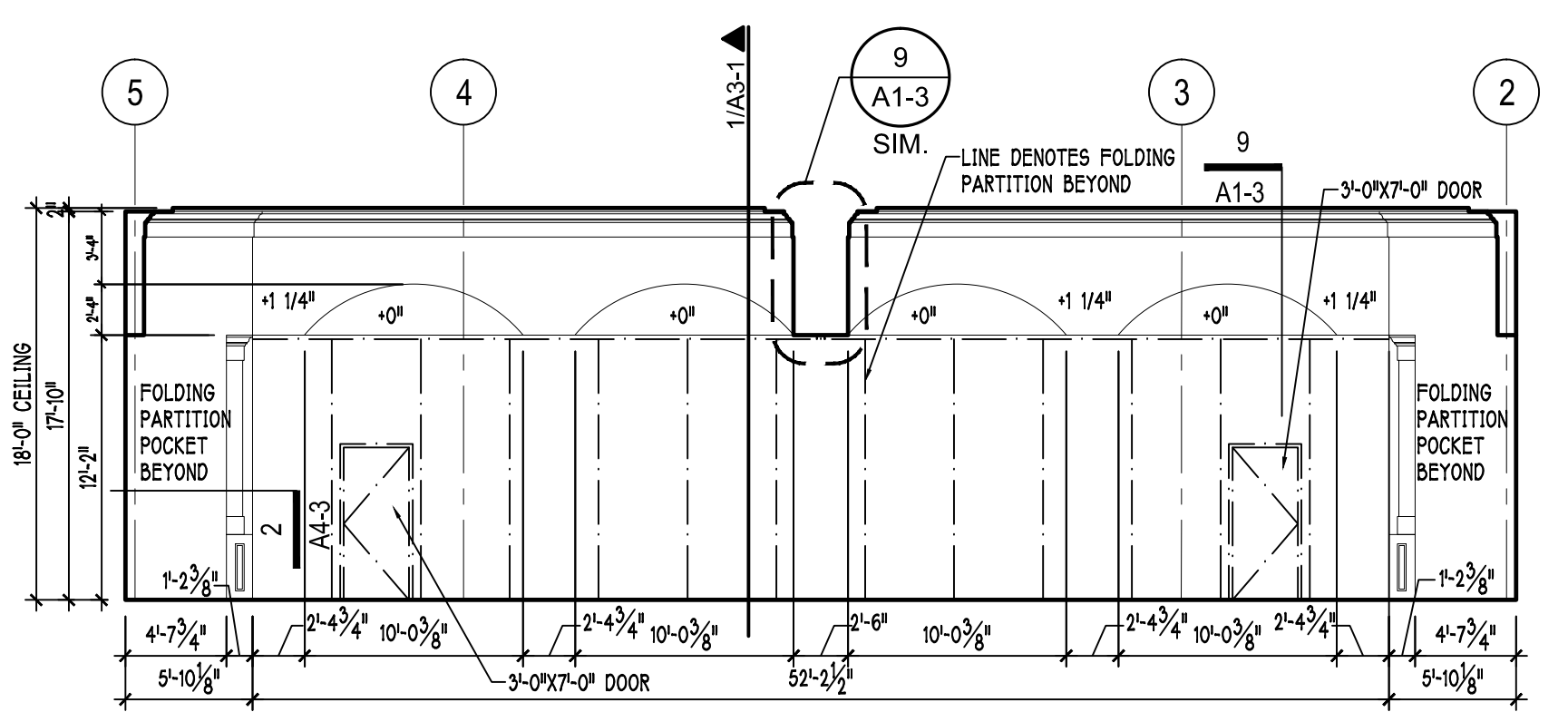
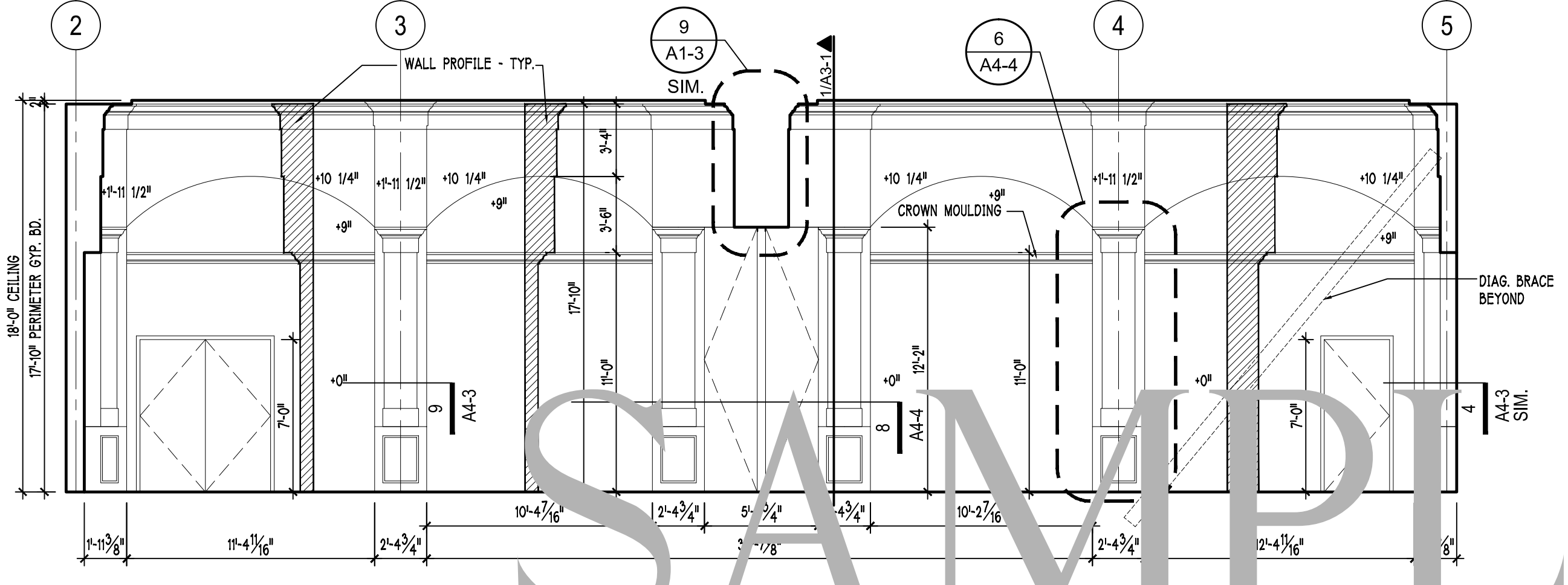


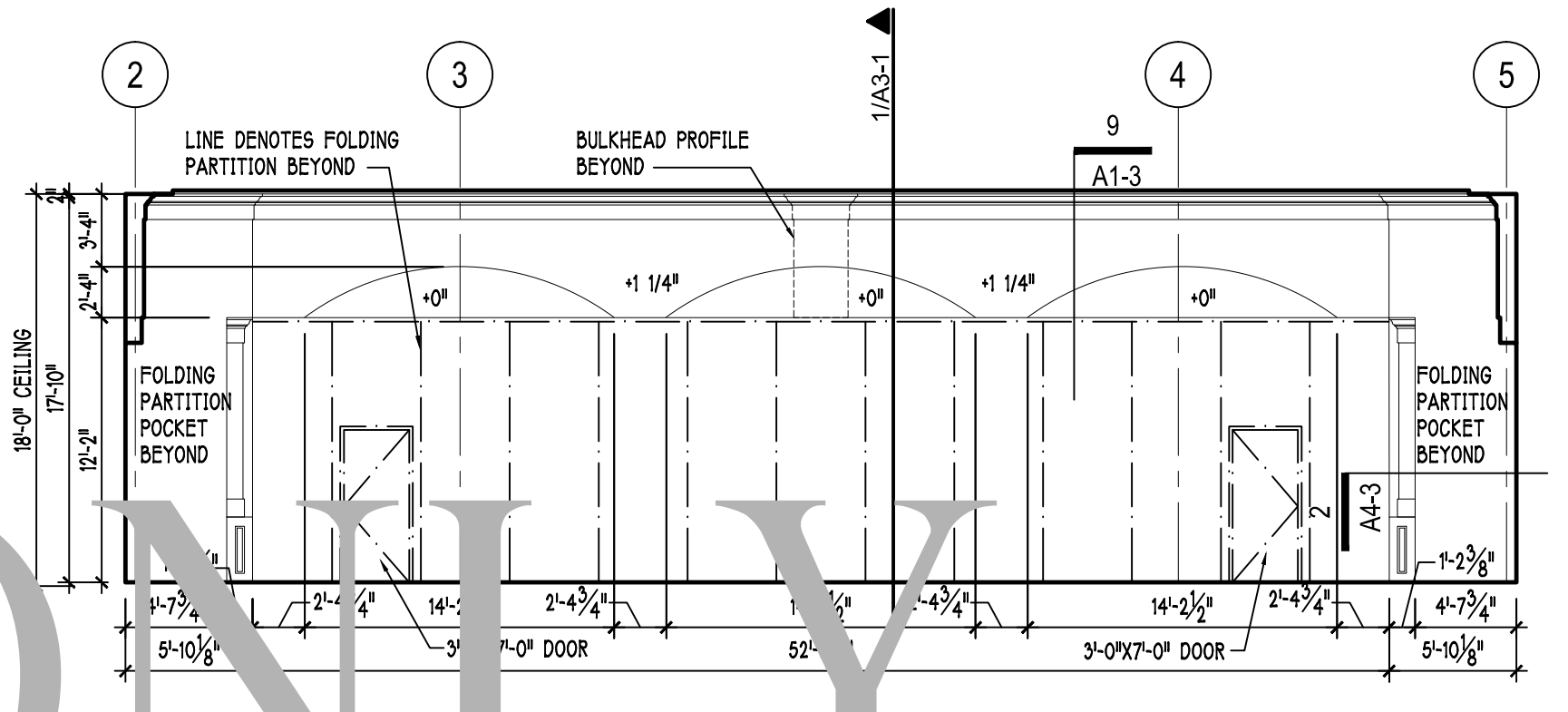
1 MULTI-PURPOSE ROOM INTERIOR ELEVATION (NORTH) 3/16"=1'-0"



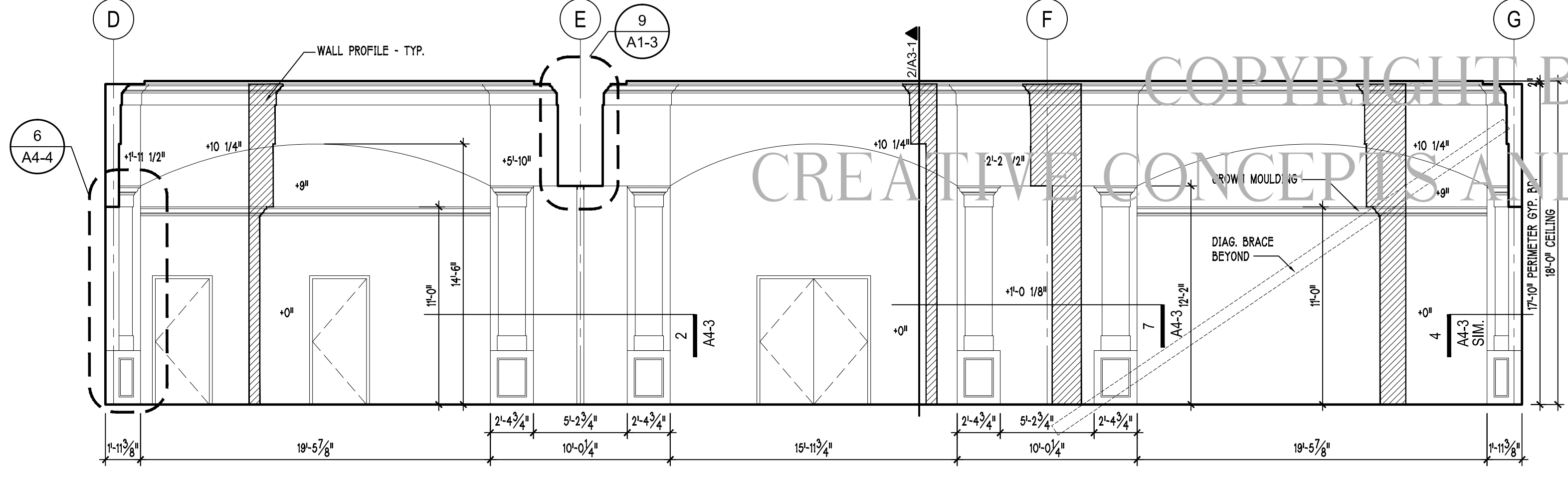
5 MULTI-PURPOSE ROOM BULKHEAD ELEVATION (WEST) 1/8"=1'-0"



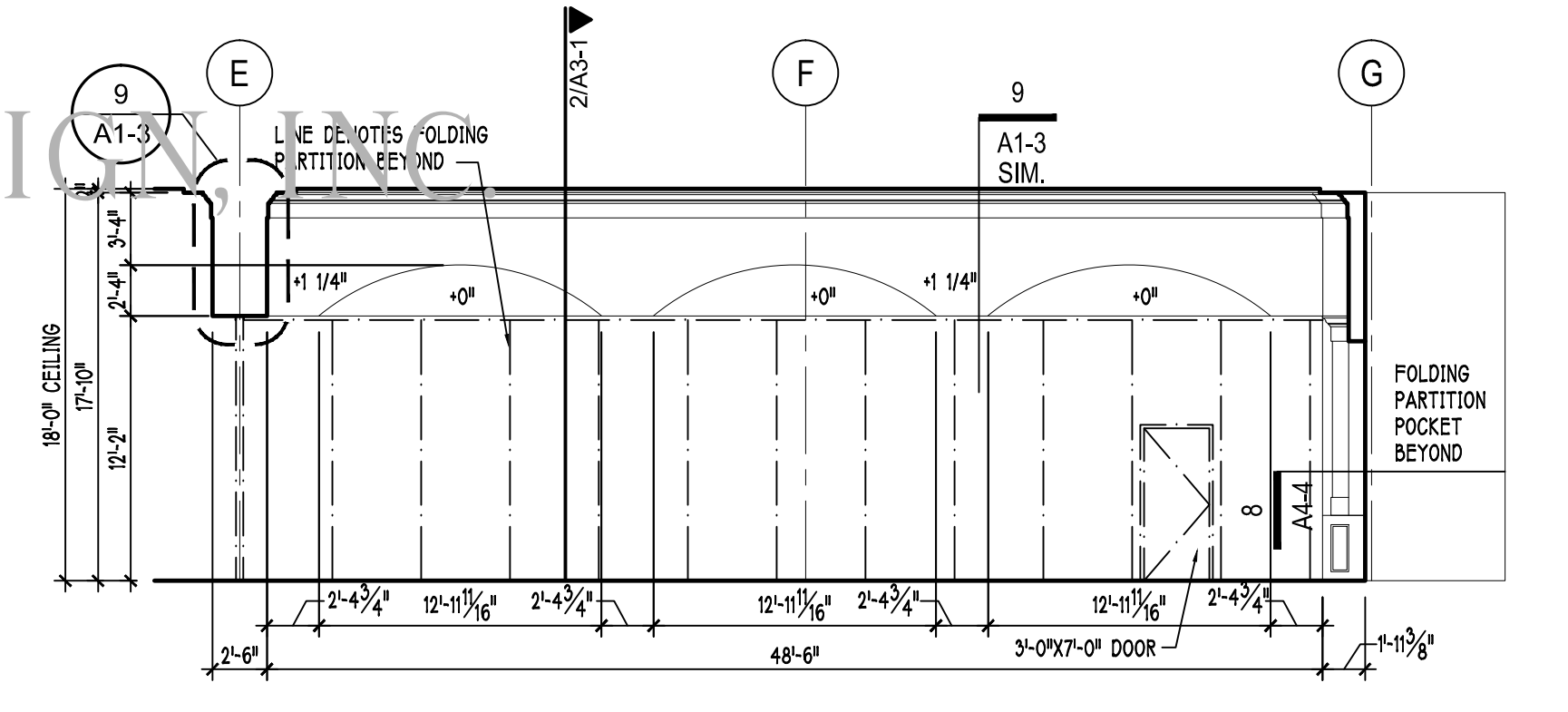
2 MULTI-PURPOSE ROOM INTERIOR ELEVATION (WEST) 3/16"=1'-0"



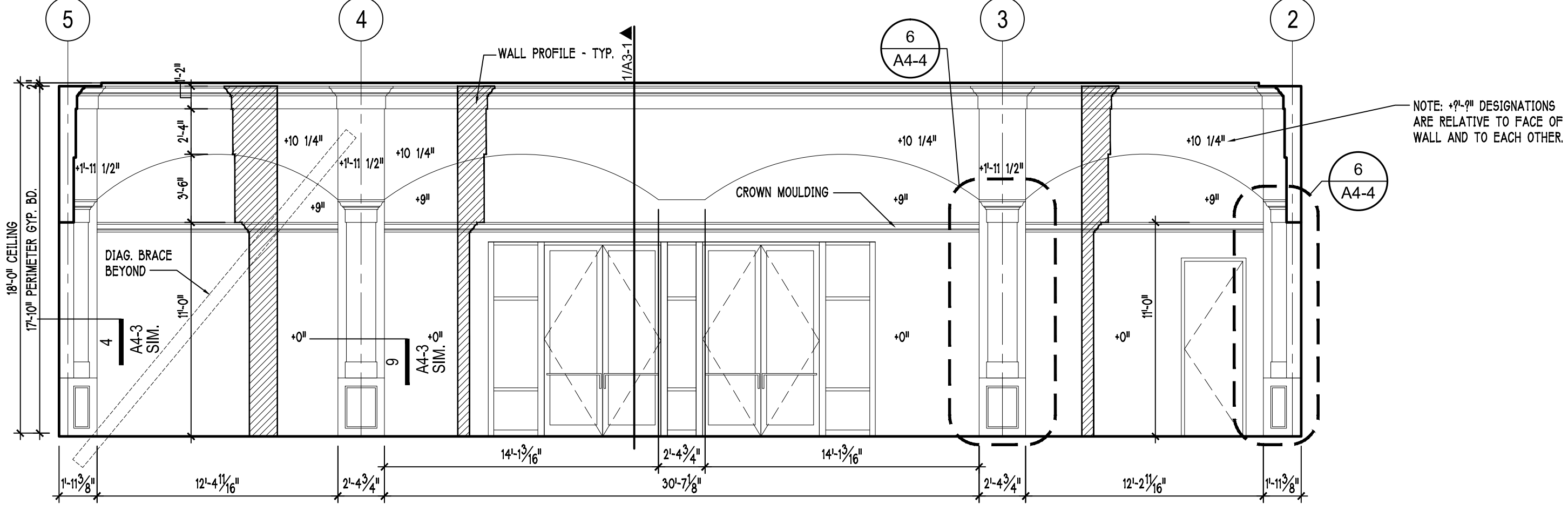
6 MULTI-PURPOSE ROOM BULKHEAD ELEVATION (EAST) 1/8"=1'-0"



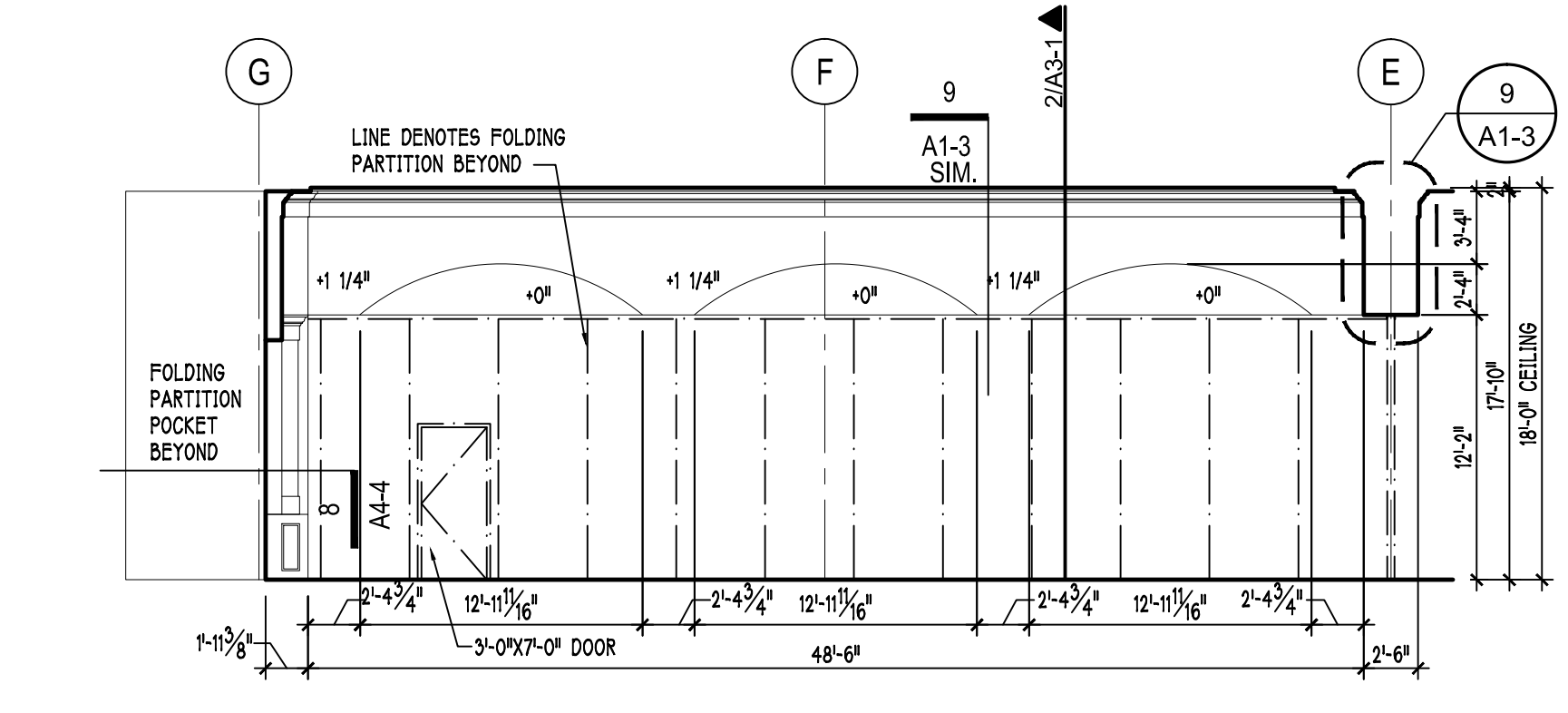
3 MULTI-PURPOSE ROOM INTERIOR ELEVATION (SOUTH) 3/16"=1'-0"



7 MULTI-PURPOSE ROOM BULKHEAD ELEVATION (NORTH) 1/8"=1'-0"



4 MULTI-PURPOSE ROOM INTERIOR ELEVATION (EAST) 3/16"=1'-0"



8 MULTI-PURPOSE ROOM BULKHEAD ELEVATION (SOUTH) 1/8"=1'-0"

Owner
 INTERIOR ELEVATIONS

Sheet Title

Seal
 MULTI-PURPOSE BUILDING

Project

Drawn By

Issue Date:
 Drawing File Name

Revisions	
No.	Date

Project Number

Building

Sheet Of