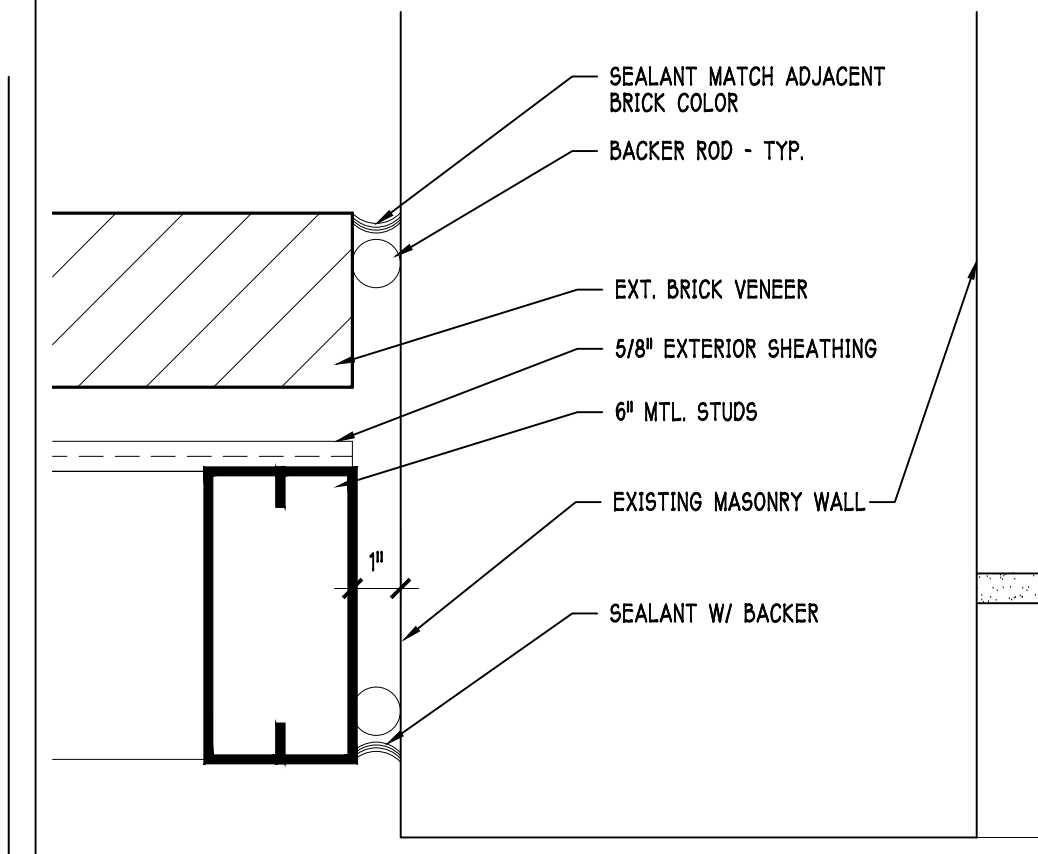
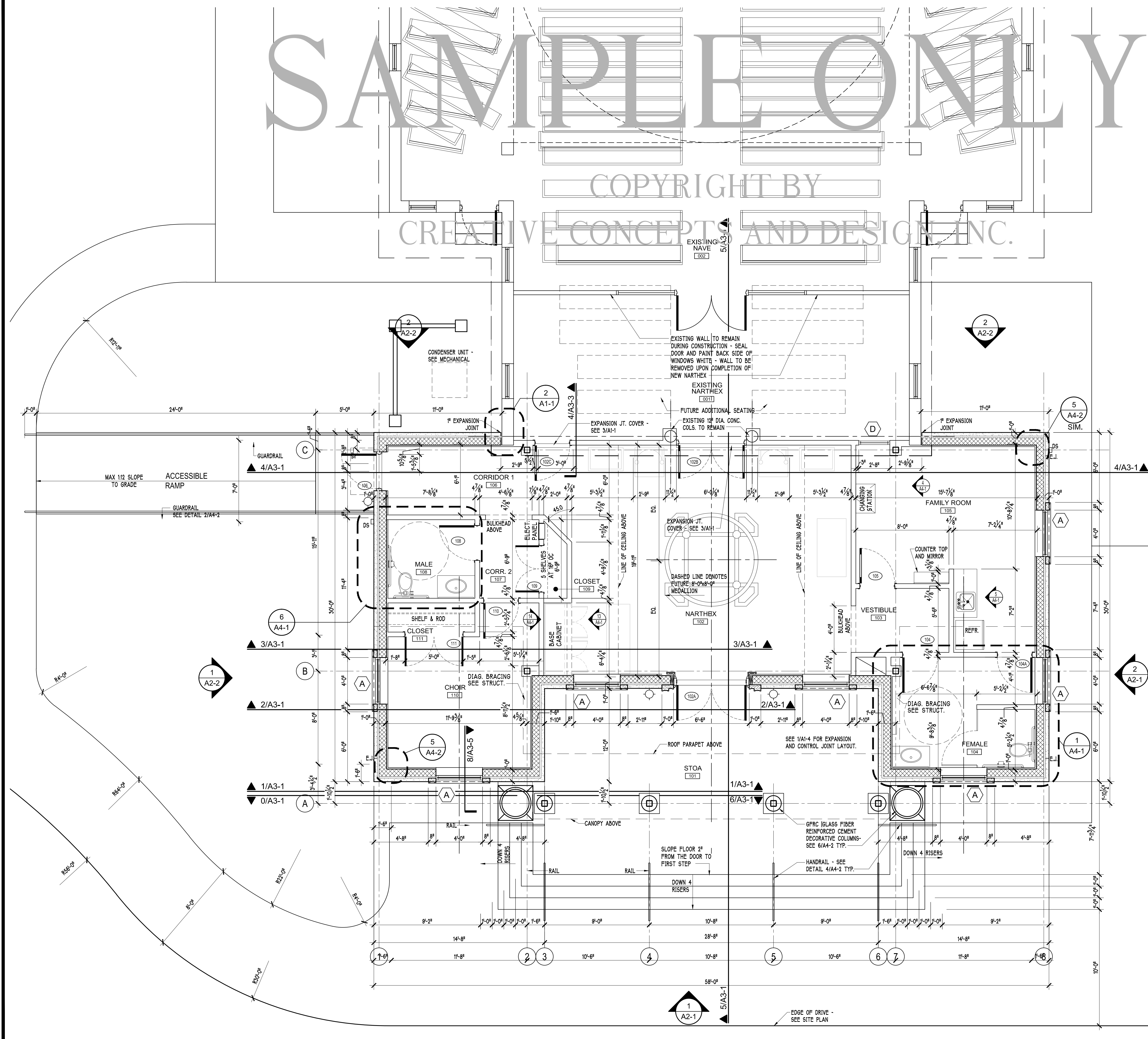
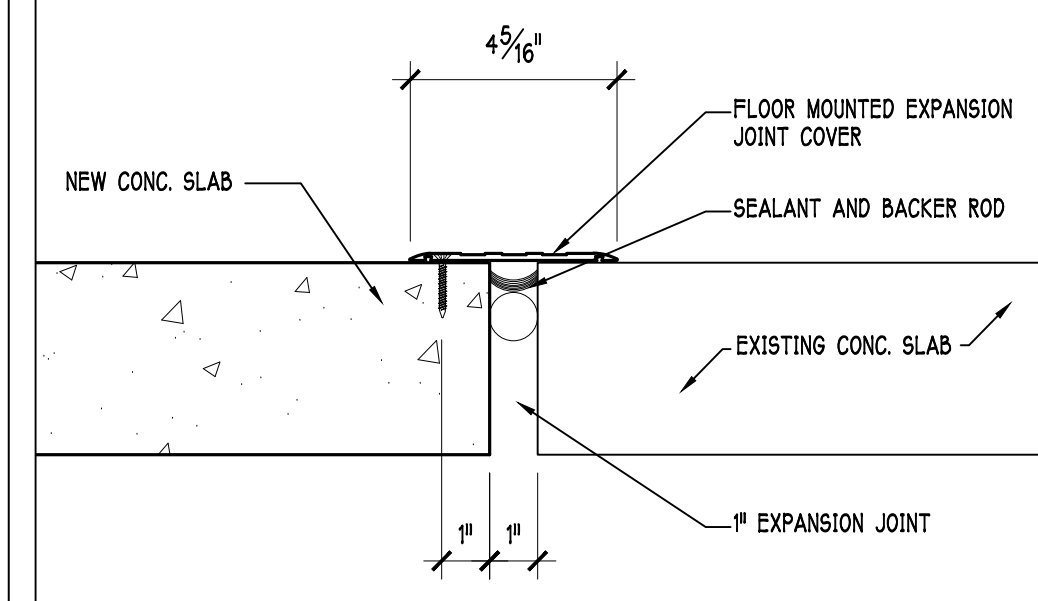


SAMPLE ONLY

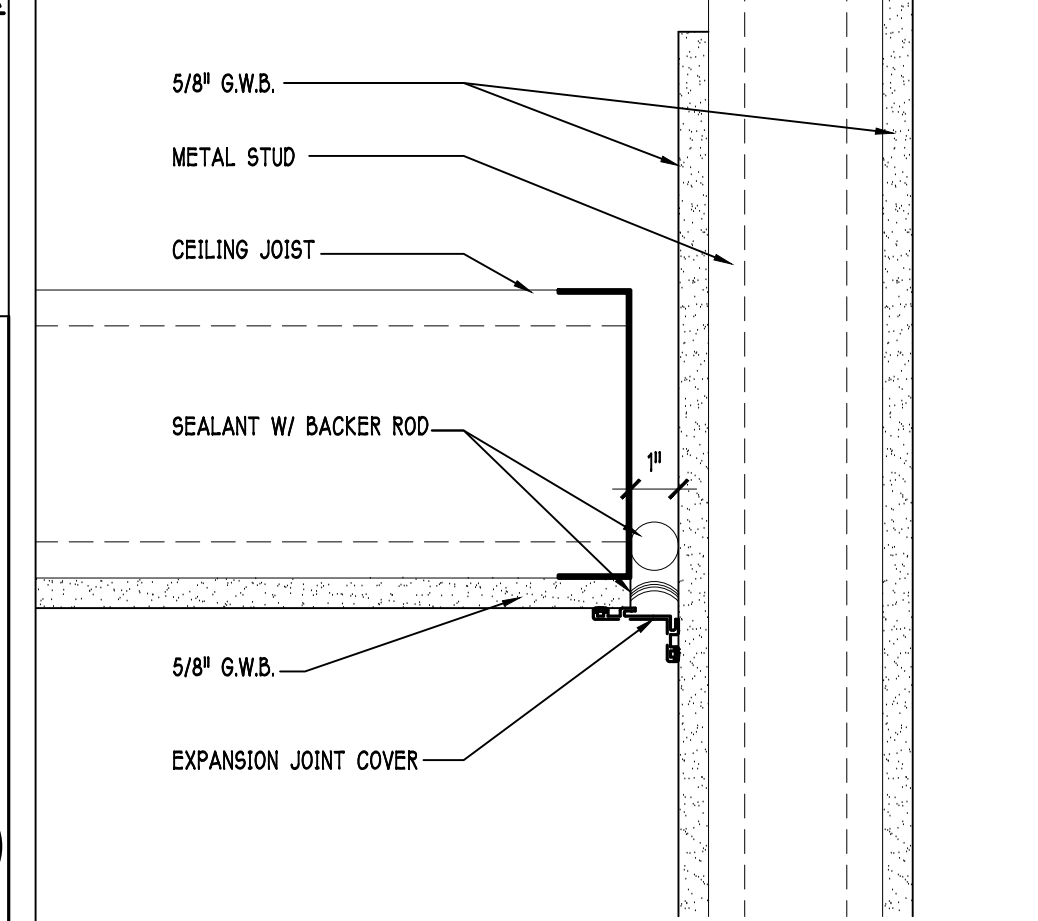
COPYRIGHT BY
CREATIVE CONCEPTS AND DESIGN, INC.



2 EXPANSION JOINT DETAIL 3"=1'-0"



3 EXPANSION JOINT DETAIL 3"=1'-0"



4 EXPANSION JOINT DETAIL 3"=1'-0"

Owner _____
FIRST FLOOR PLAN

Sheet Title _____

Seal _____
NARTHEX ADDITION

Project _____
Drawn By _____

Issue Date: _____
Drawing File Name _____

Revisions	
No.	Date

Project Number _____

Building _____

Sheet _____ of _____
A1-1

1 FIRST FLOOR PLAN 1/4"=1'-0"