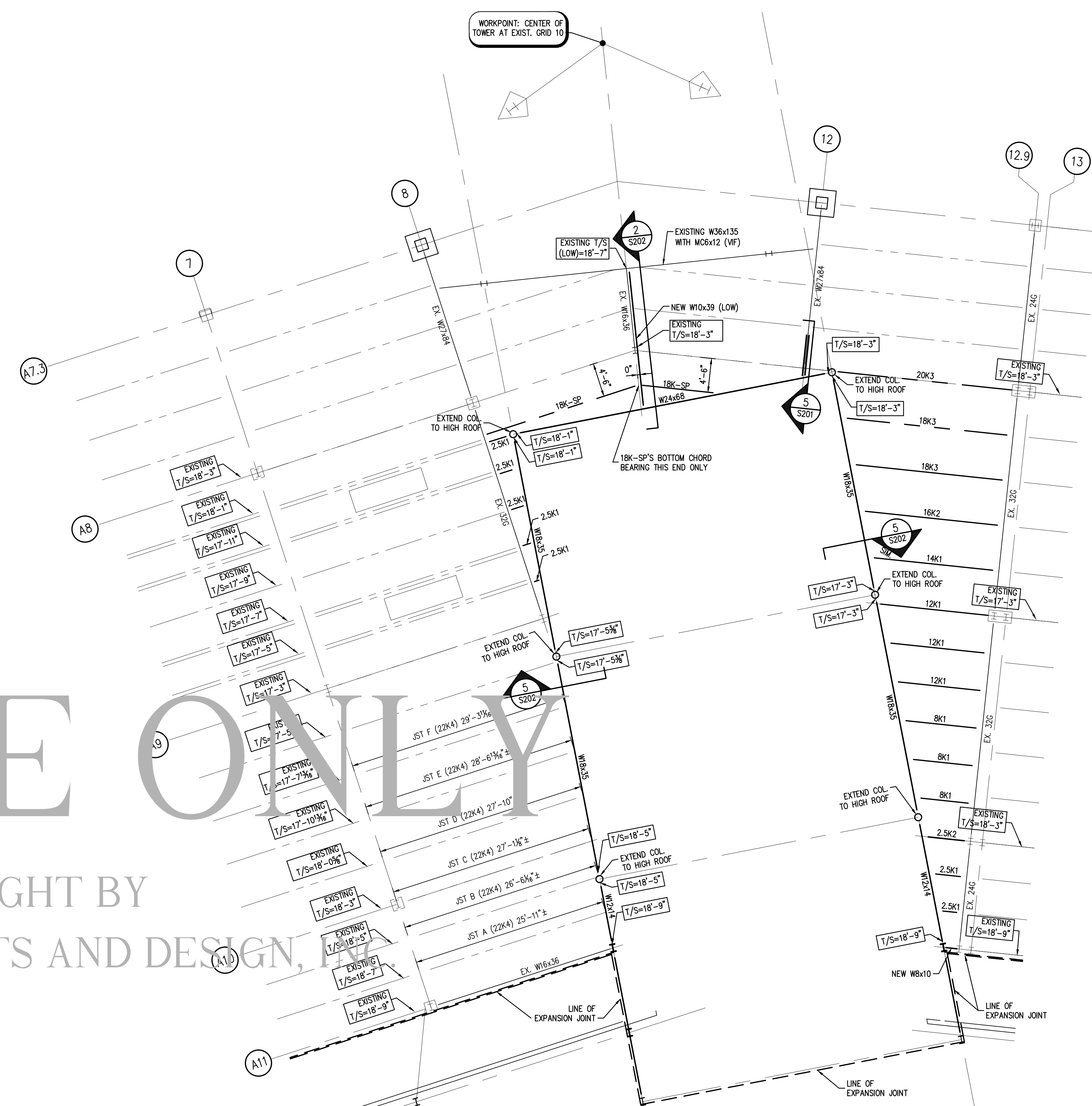
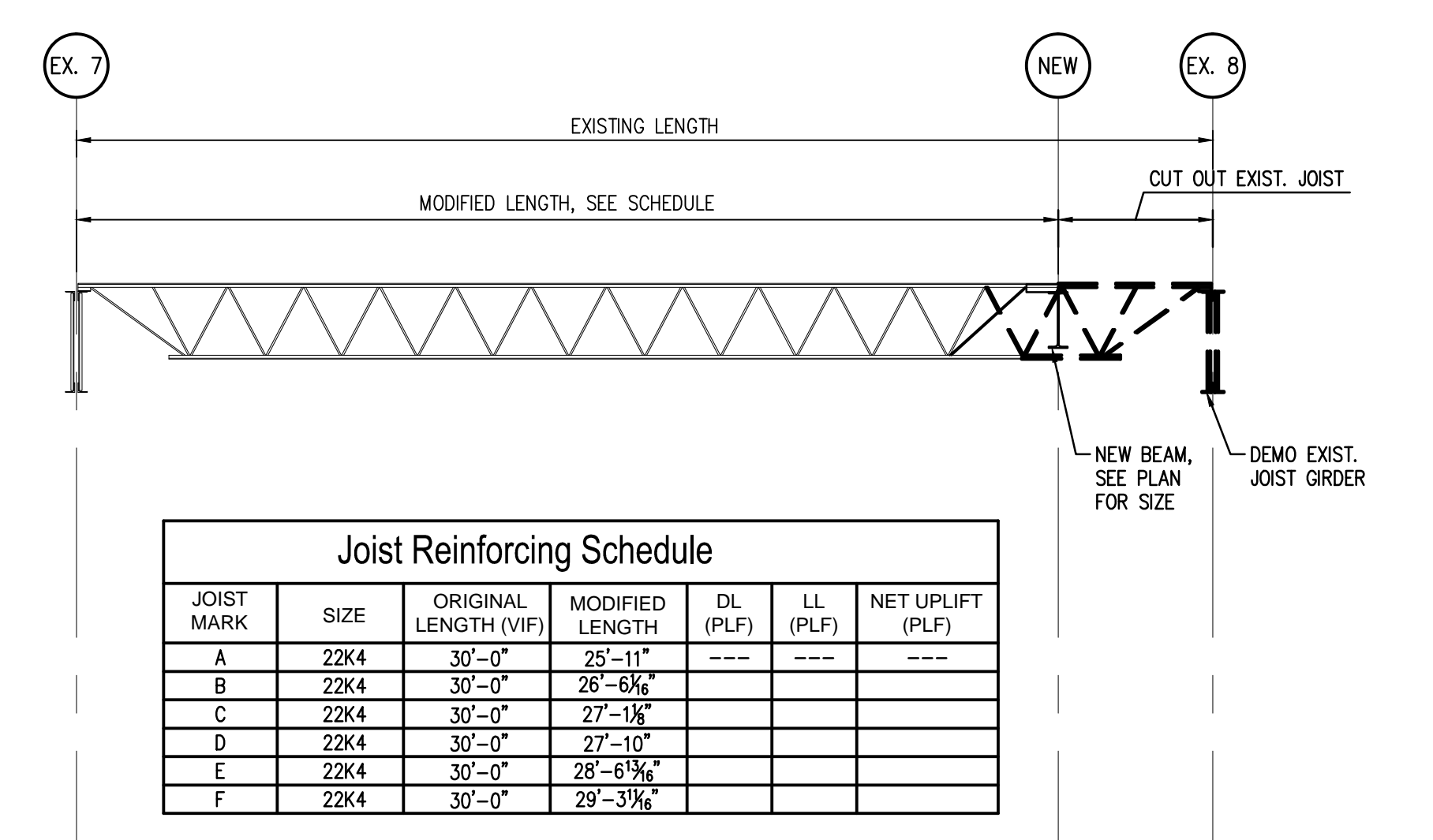


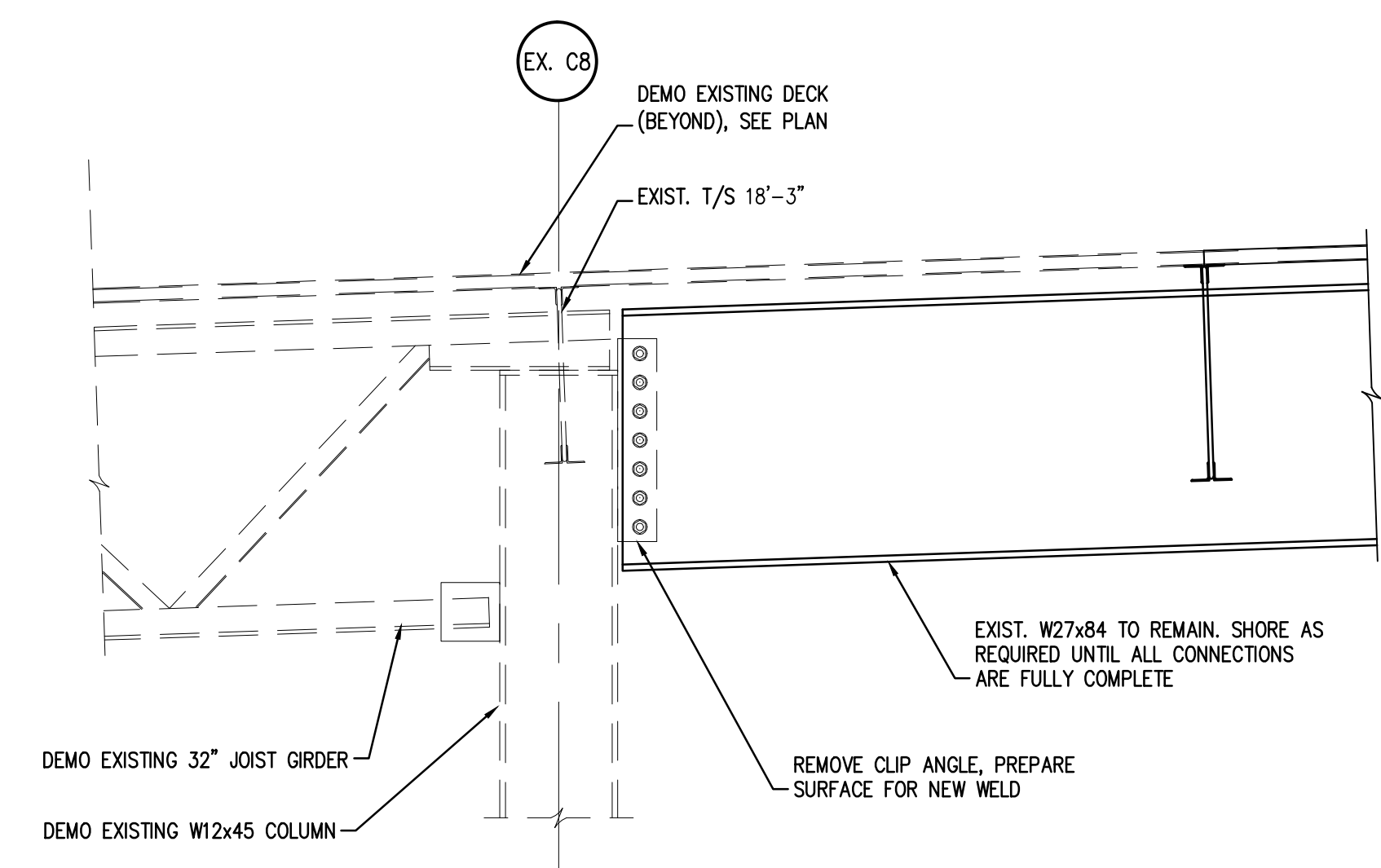
1 PARTIAL DEMO PLAN SCALE: 1/4"=1'-0"
 AT EXISTING MALL
 1. 1.0001 INDICATES EXTENT OF DEMOLITION FOR EXISTING BAR JOISTS AND ROOF DECK.
 2. 1.0002 INDICATES EXTENT OF DEMOLITION FOR EXISTING ROOF DECK ONLY.



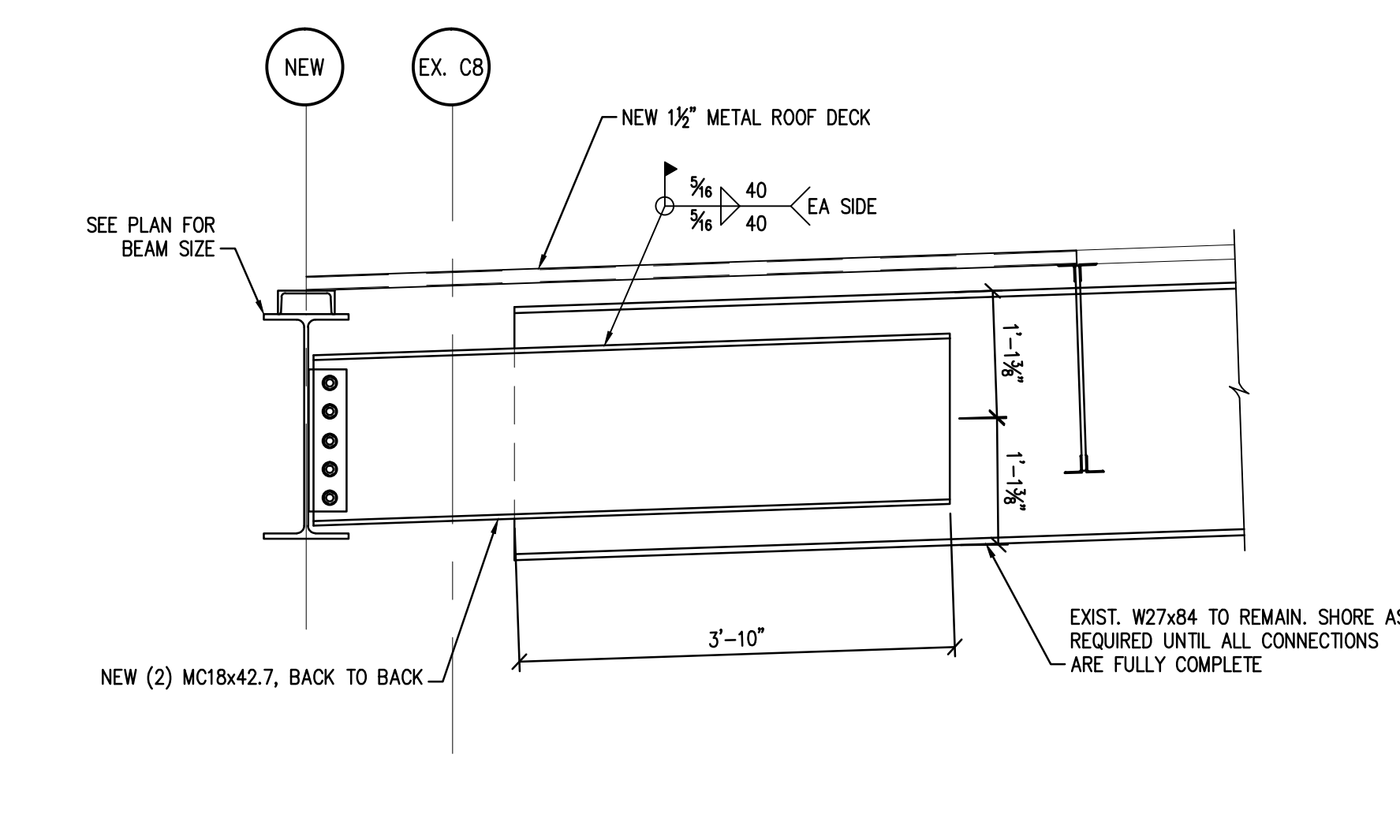
2 PARTIAL LOW ROOF PLAN SCALE: 1/4"=1'-0"
 AT EXISTING MALL



3 DETAIL SCALE: 1/4"=1'-0"
 AT EXIST. JOIST REINFORCEMENT



4 DEMO SECTION SCALE: 1/4"=1'-0"
 AT EXIST. W27 EXTENSION



5 SECTION SCALE: 1/4"=1'-0"
 AT EXIST. W27 EXTENSION