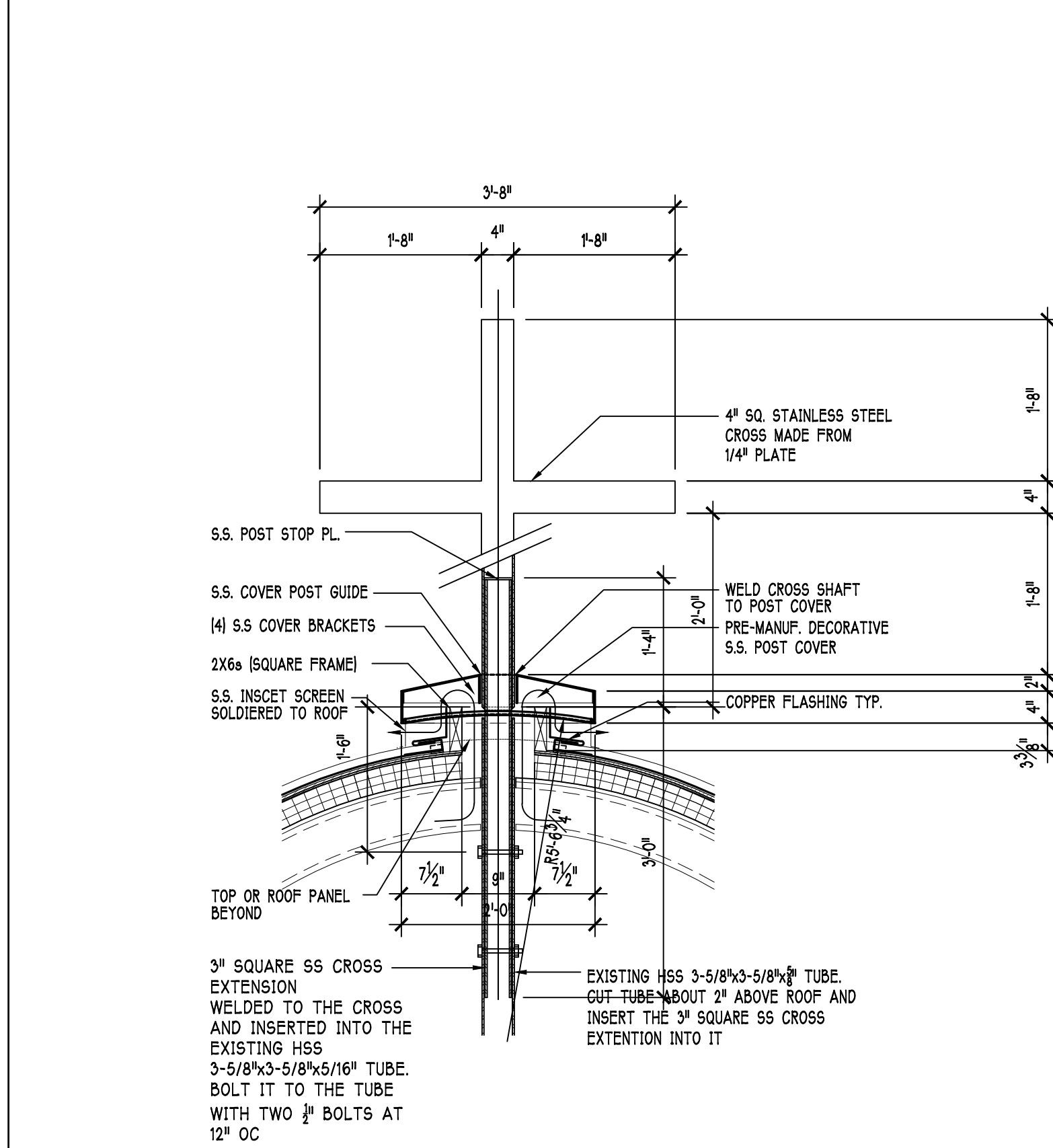


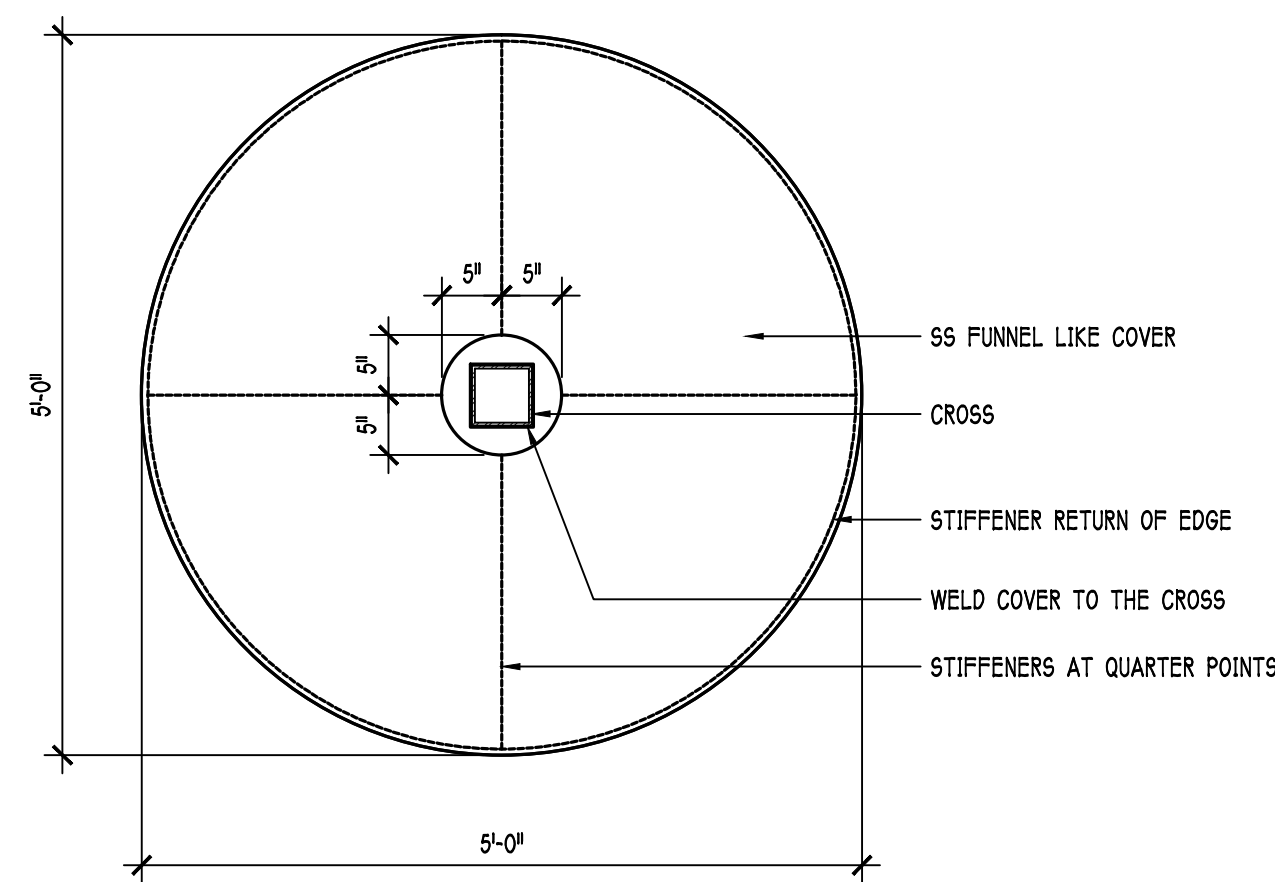
11 MAIN DOME CROSS DETAIL

3/4"=1'-0"



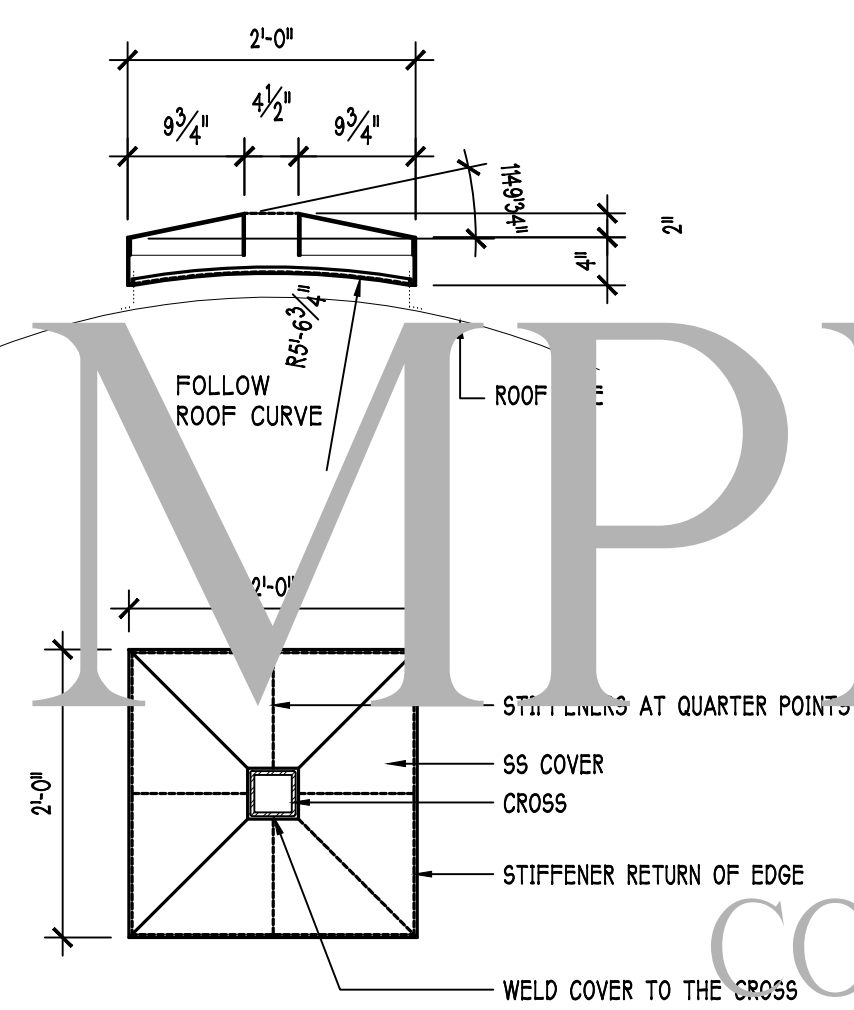
7 STAIR TOWER CROSS DETAIL

3/4"=1'-0"



11 MAIN DOME CROSS COVER DETAIL

3/4"=1'-0"



11 STAIR CROSS COVER DETAIL

3/4"=1'-0"

SAMPLE ONLY

COPYRIGHT BY

CREATIVE CONCEPTS AND DESIGN, INC.

Drawing Status

Owner

Seal

DETAILS

Sheet Title

GREEK CHURCH

GREEK ORTHODOX PARISH

Project

Drawn By

2-1-06

Issue Date: 03-11-06

Drawing File Name

A3-10_Details Exterior.dwg

Revisions

No. Date

No. Date

No. Date

No. Date

Project Number

09-05

Building

SANCTUARY

Sheet Of

A3-11 38