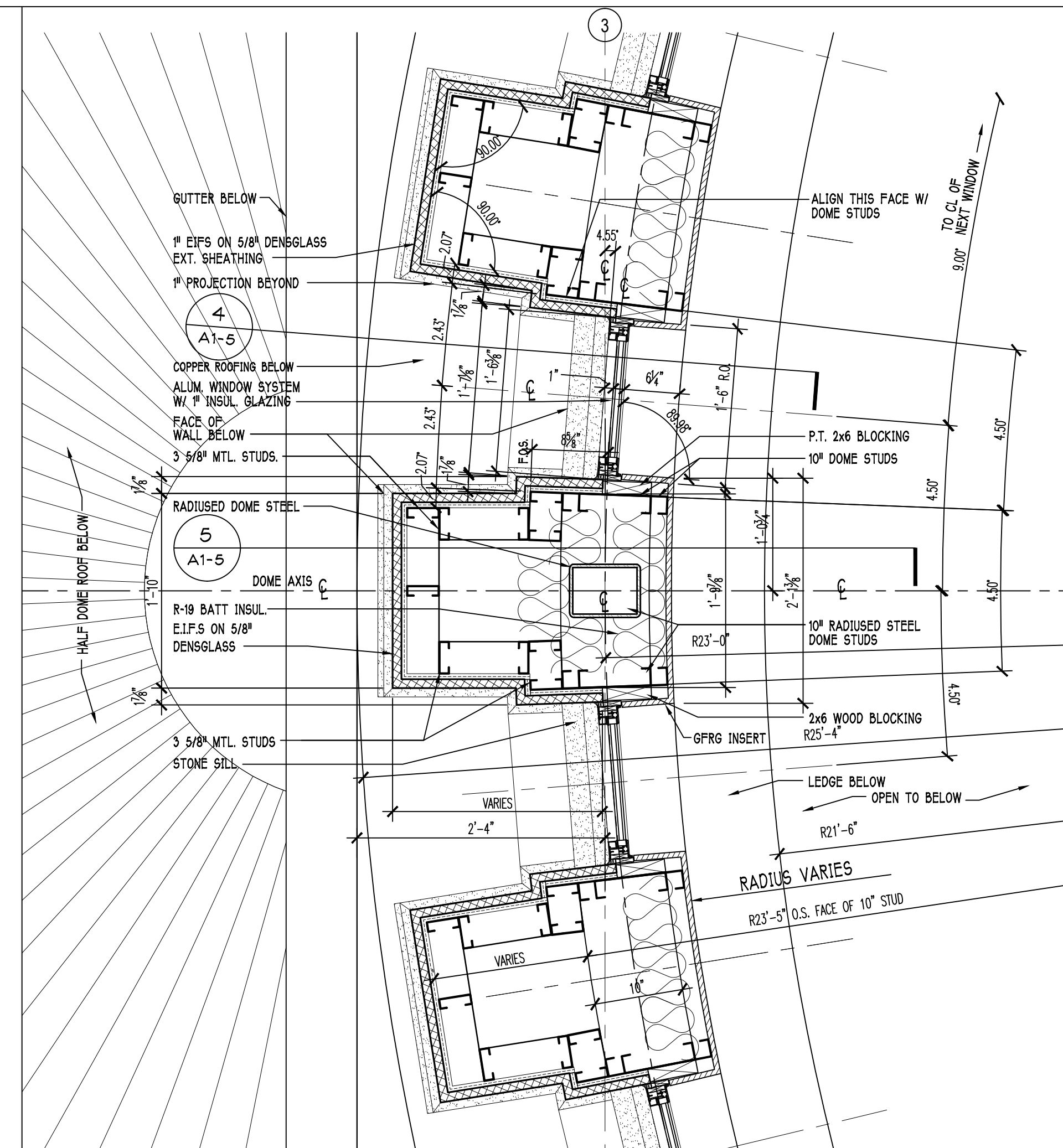
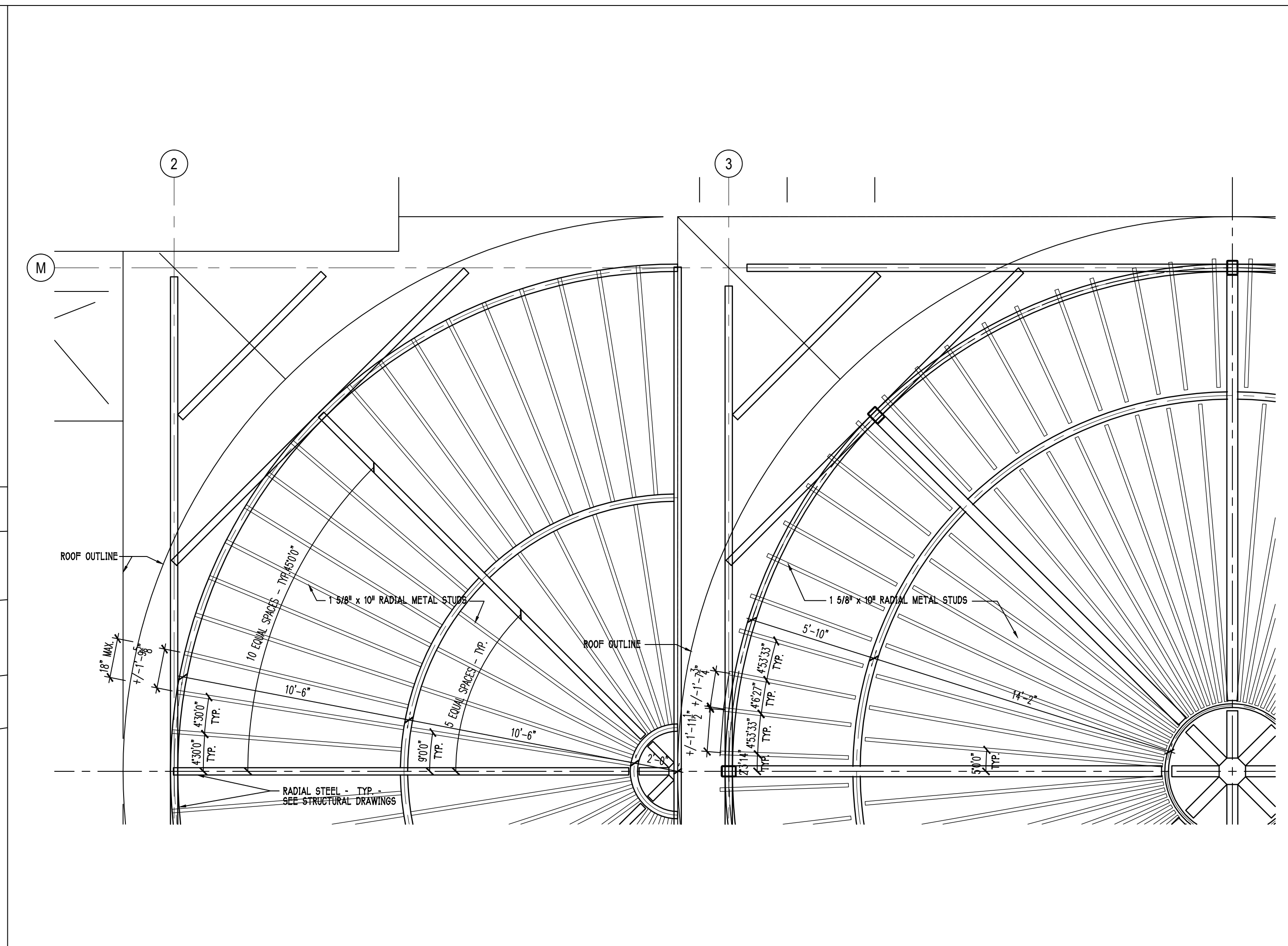


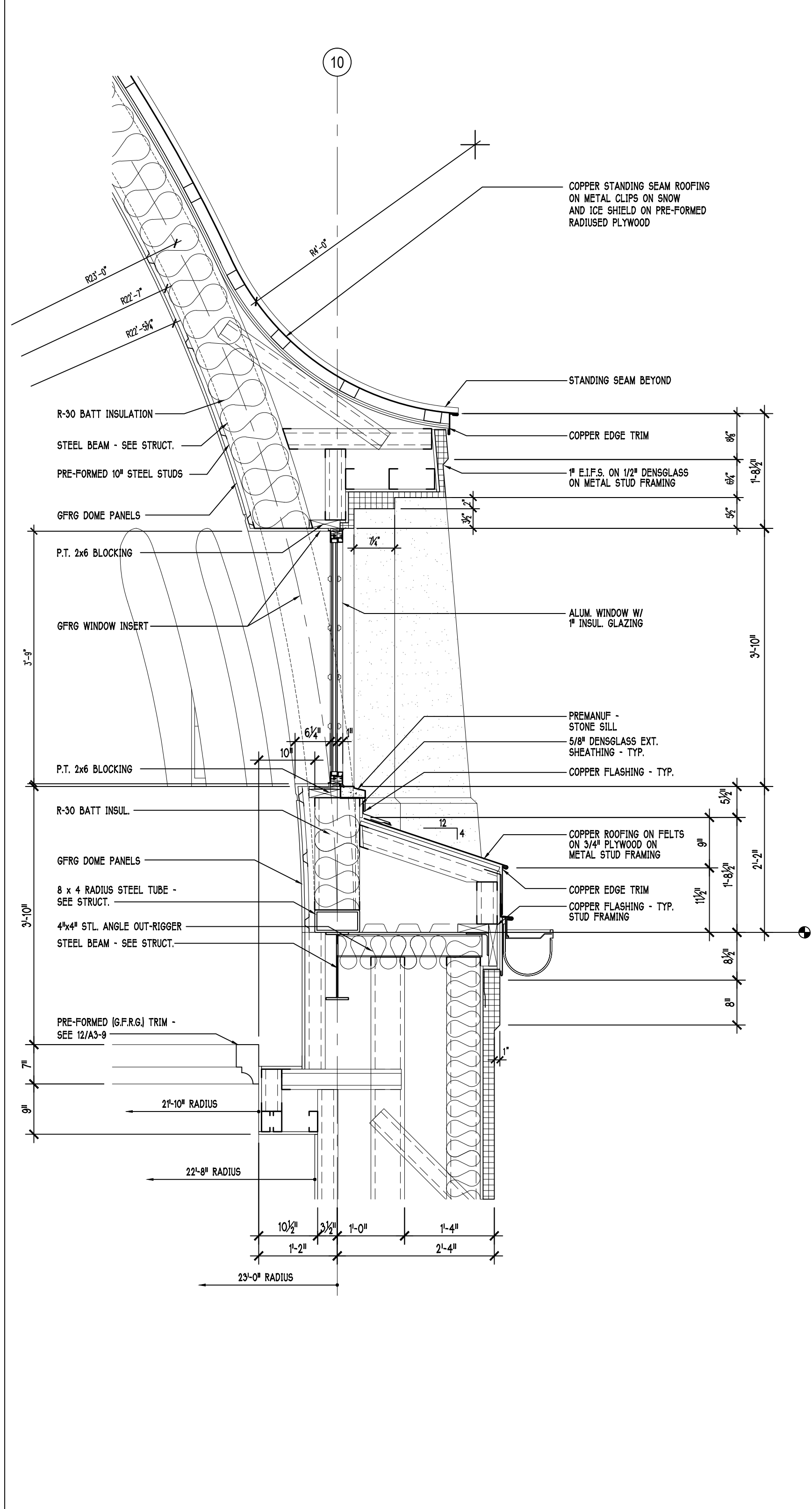
1 | DOME WINDOW AND BUTTRESS PLAN 1/8"=1'-0"



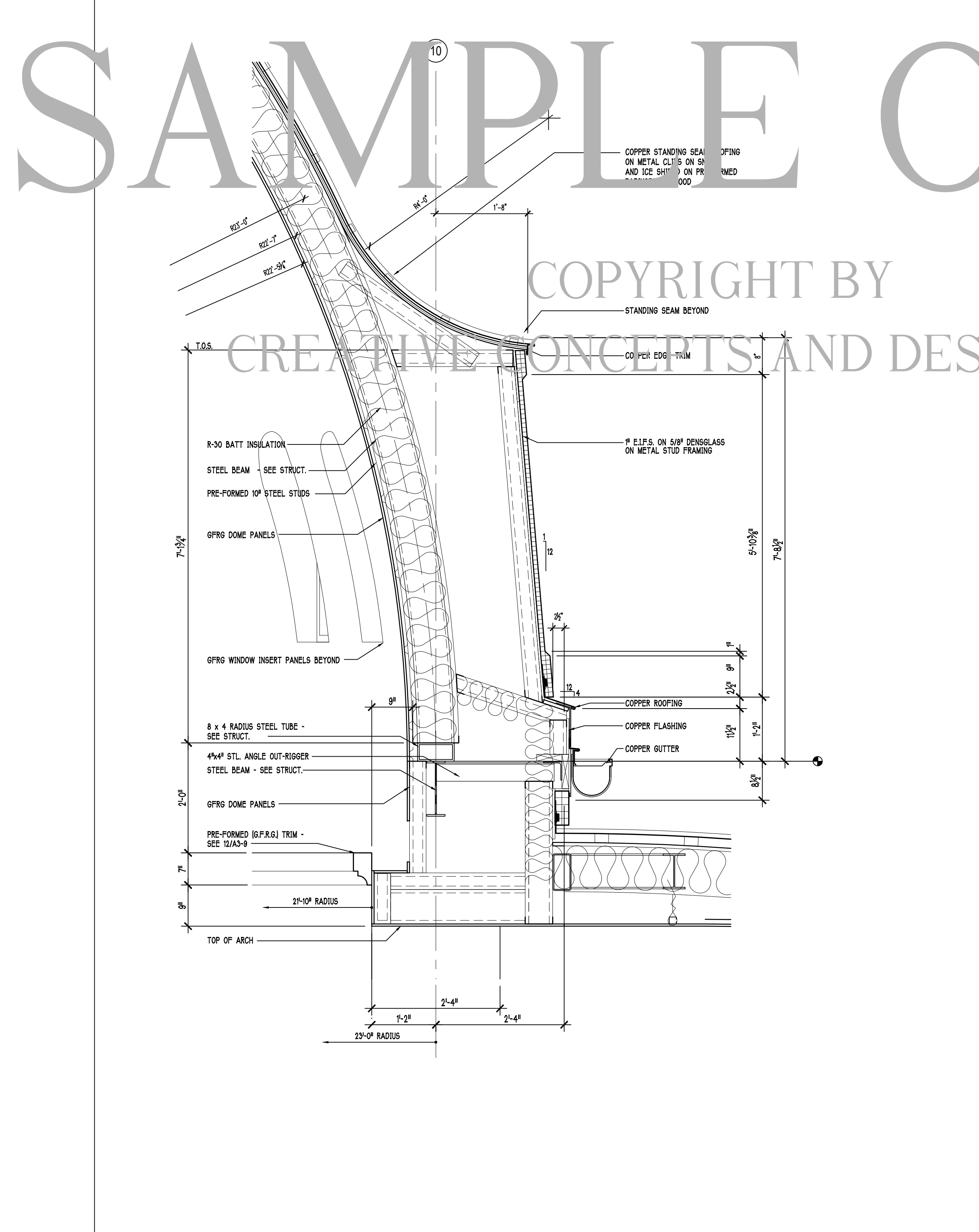
2 | ENLARGED DOME WINDOW AND BUTTRESS PLAN 1"=1'-0"



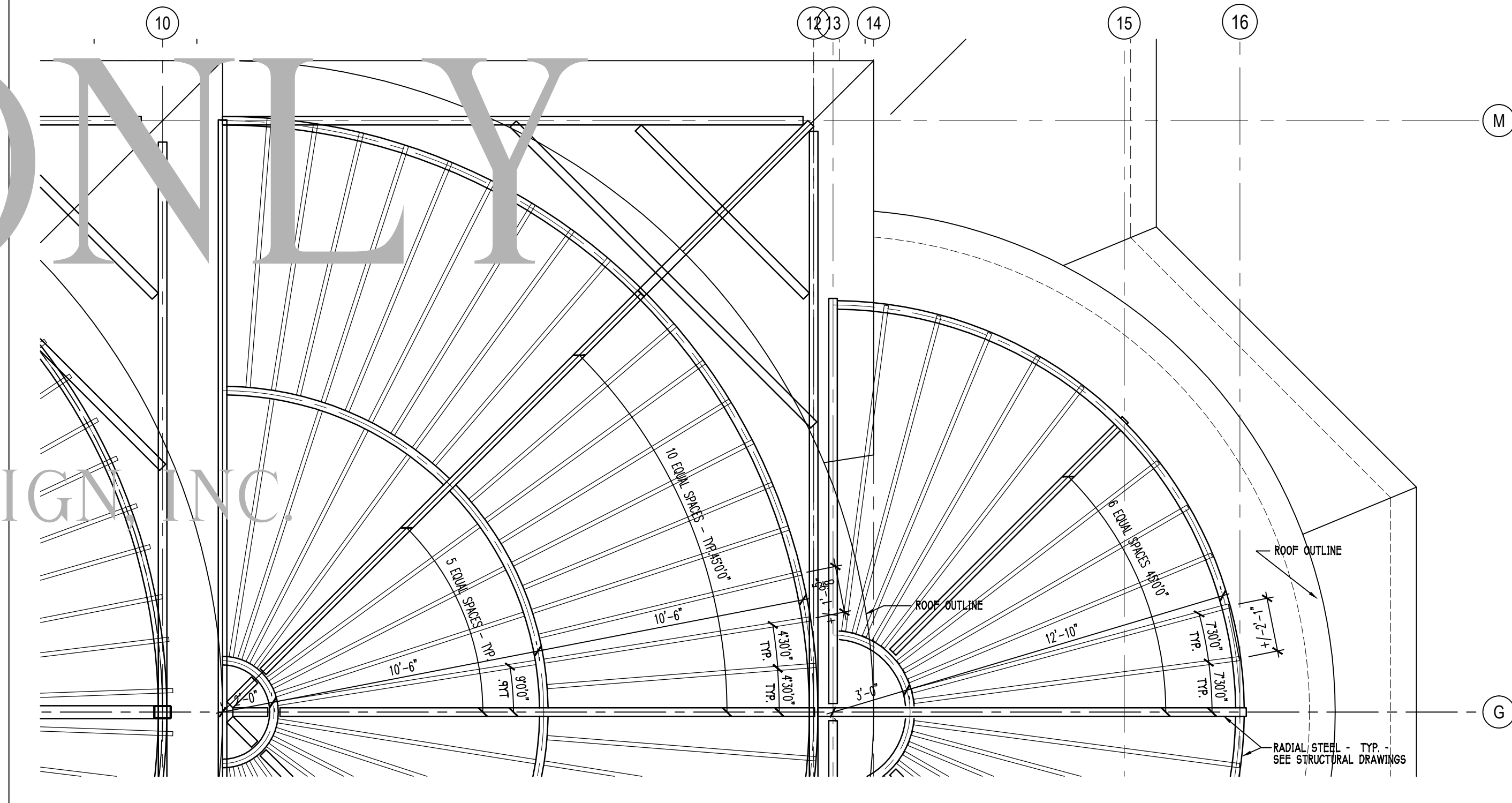
3 | FRONT HALF AND MAIN DOME STEEL / STUD LAYOUT 1/4"=1'-0"



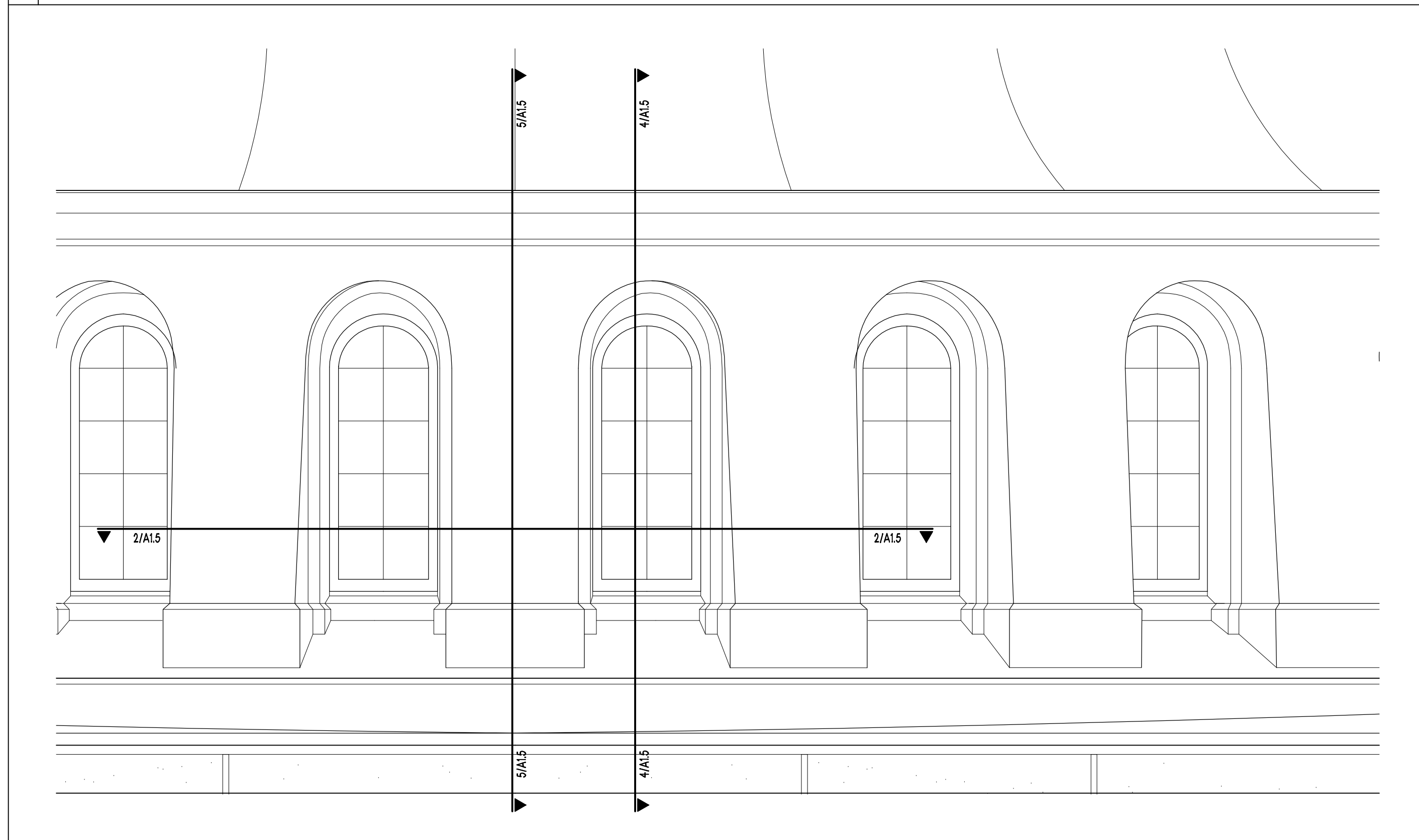
4 | DOME WINDOW DETAIL 3/4"=1'-0"



5 | PROJECTED ABUTMENT DETAIL 3/4"=1'-0"



6 | REAR HALF AND MINI DOME STEEL / STUD LAYOUT 1/4"=1'-0"



7 | ENLARGED DOME WINDOW & ABUTMENT ELEVATION 3/4"=1'-0"

SAMPLE ONLY

COPYRIGHT BY
CREATIVE CONCEPTS AND DESIGN, INC.

Drawing Status

Owner

Seal

DOME PLAN
AND DETAILS

Sheet Title

Greek
Church

GREEK
ORTHODOX
PARISH

Project

Drawn By

Issue Date:
Drawing File Name

Revisions

No.	Date

Project Number

09-05

Building

Sheet

Of

A1-5 38