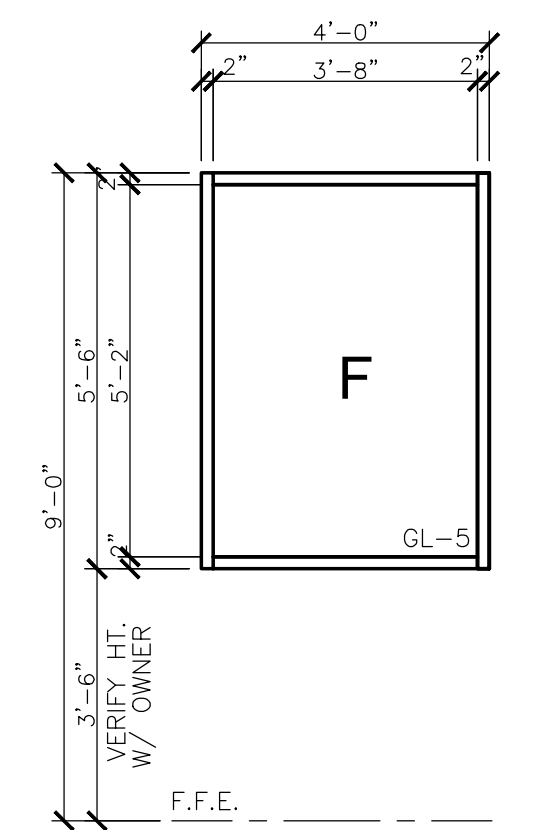
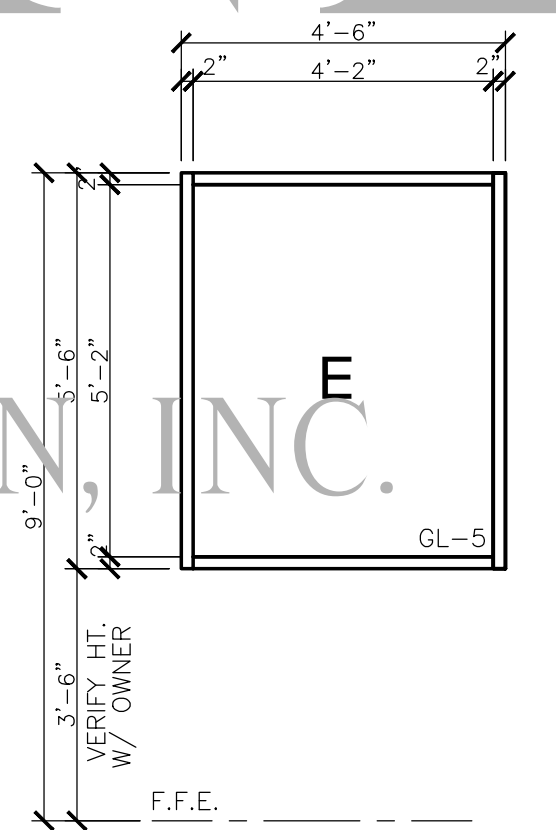
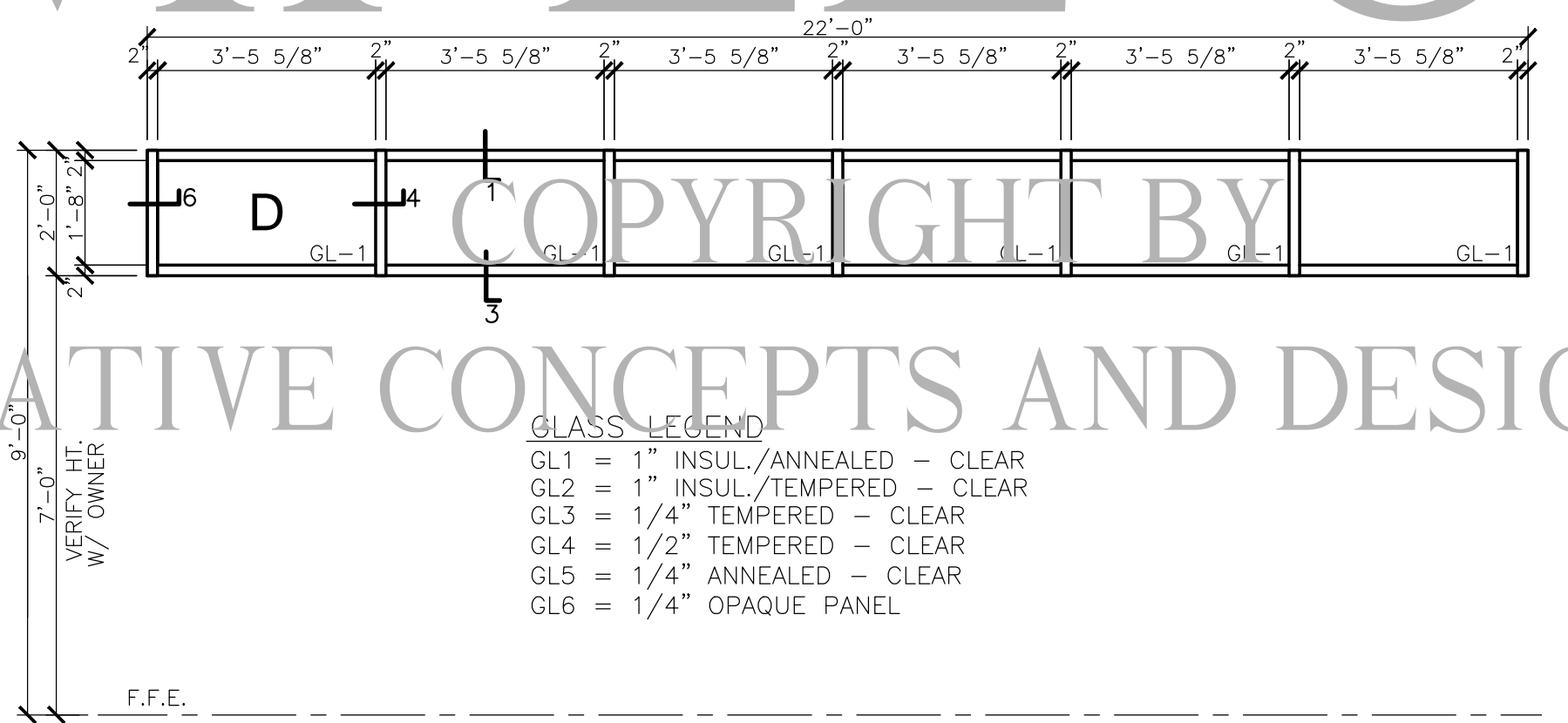
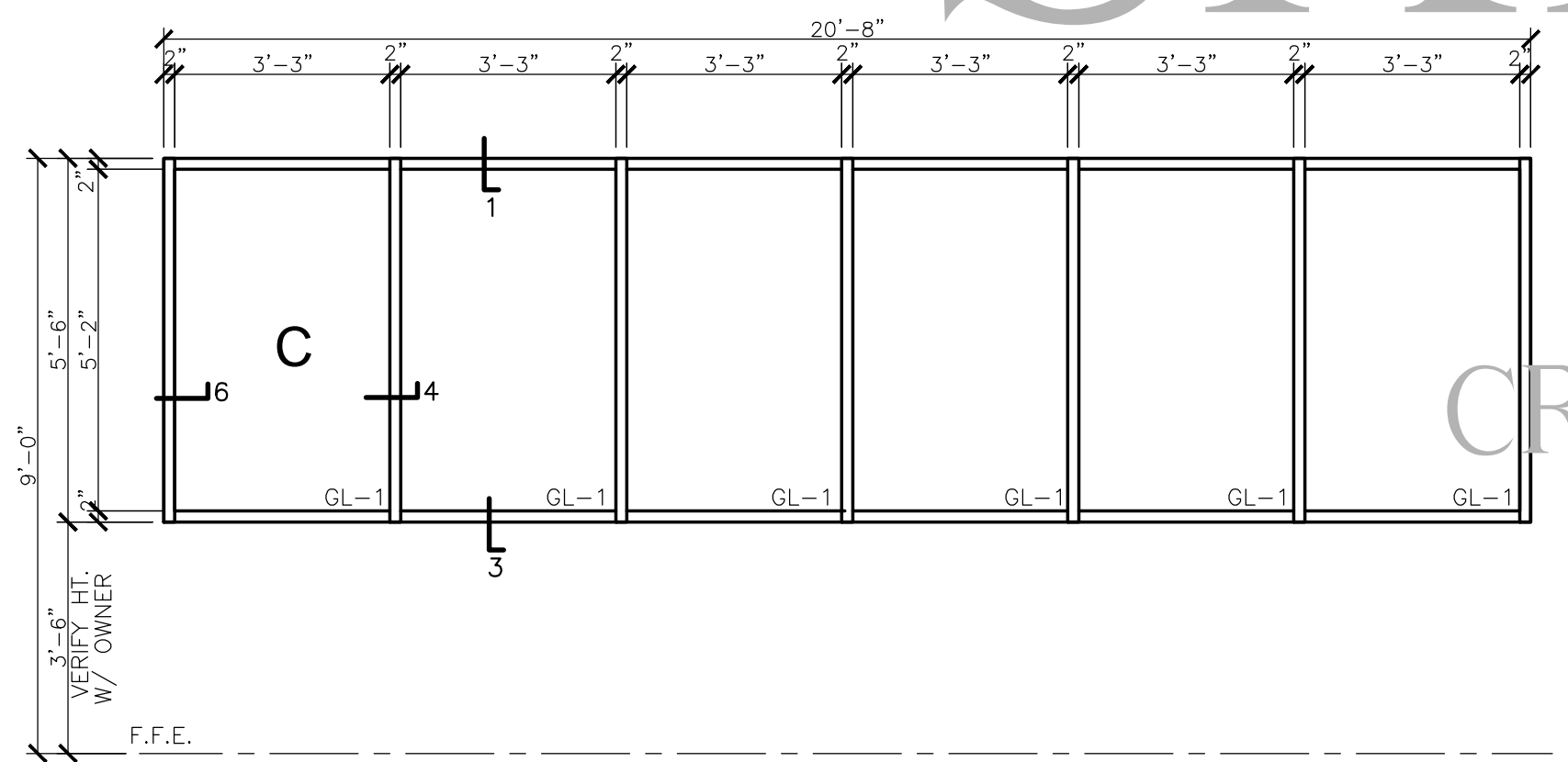
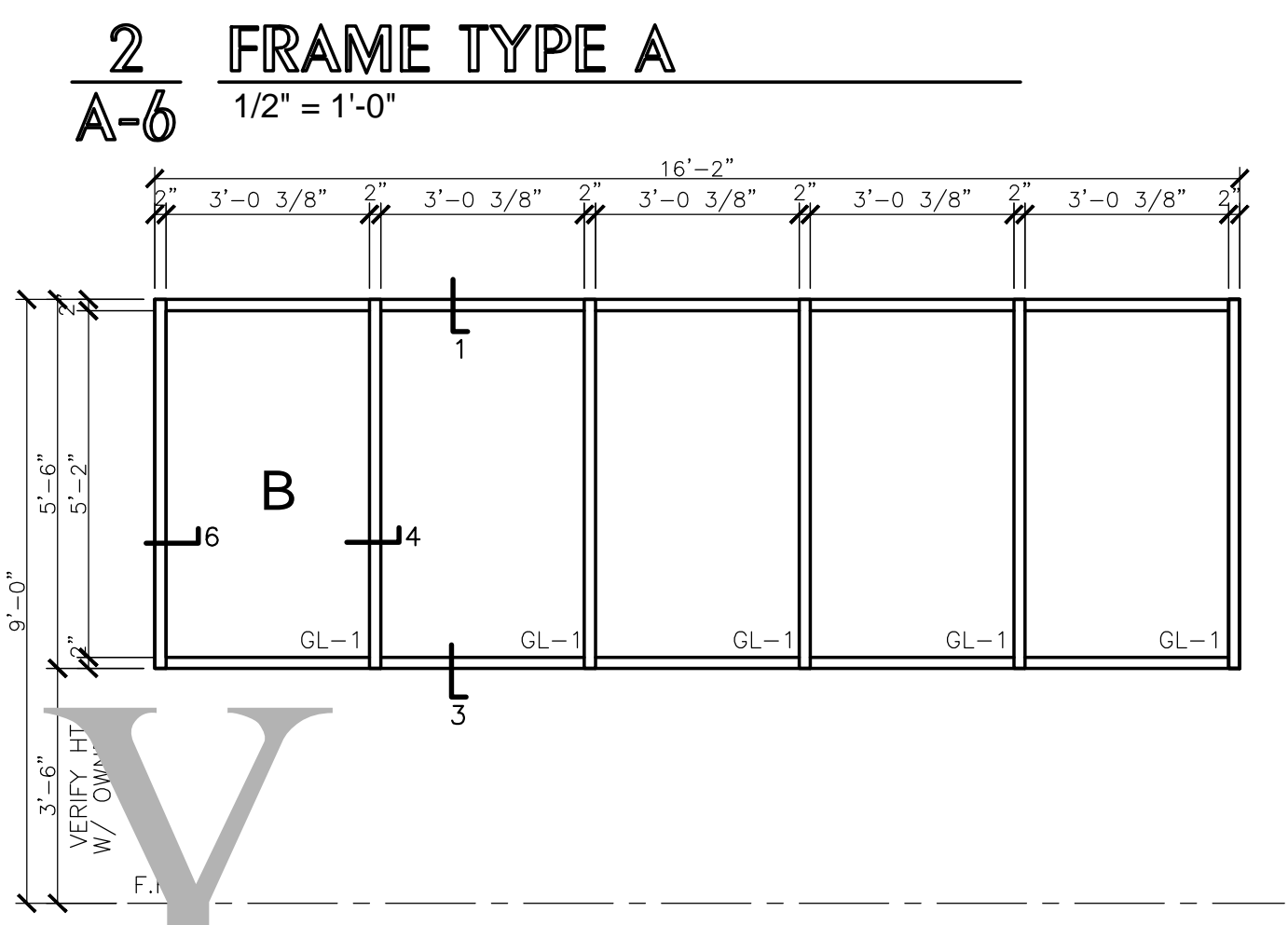
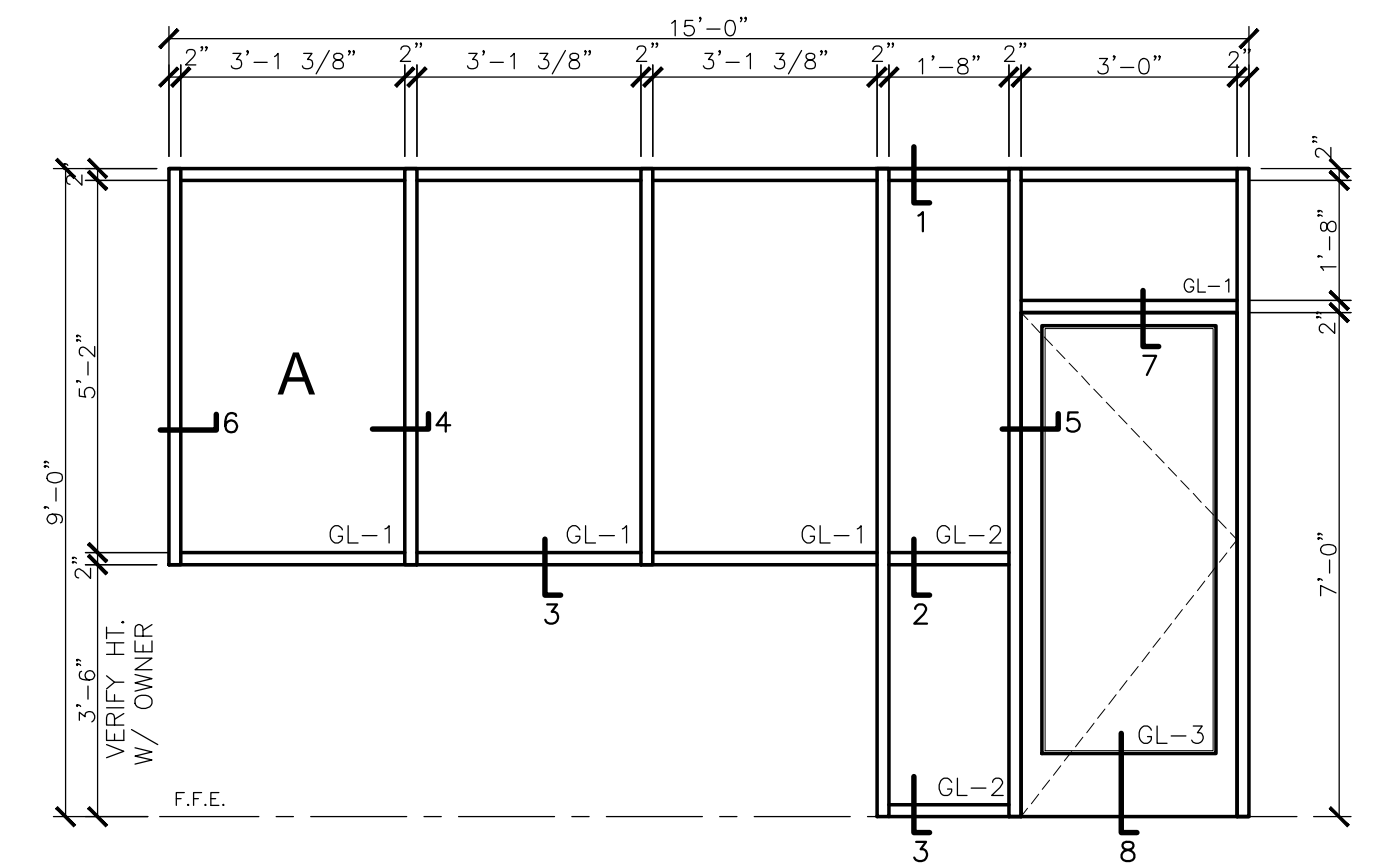
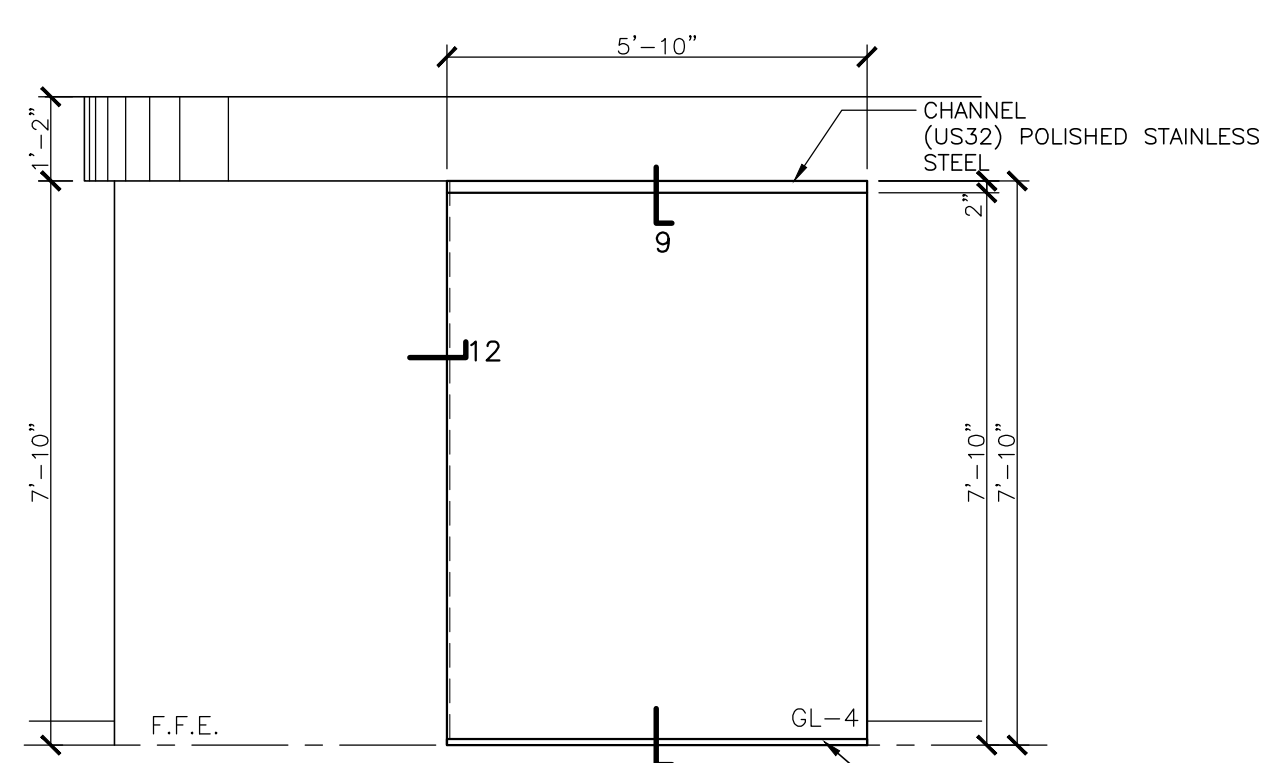
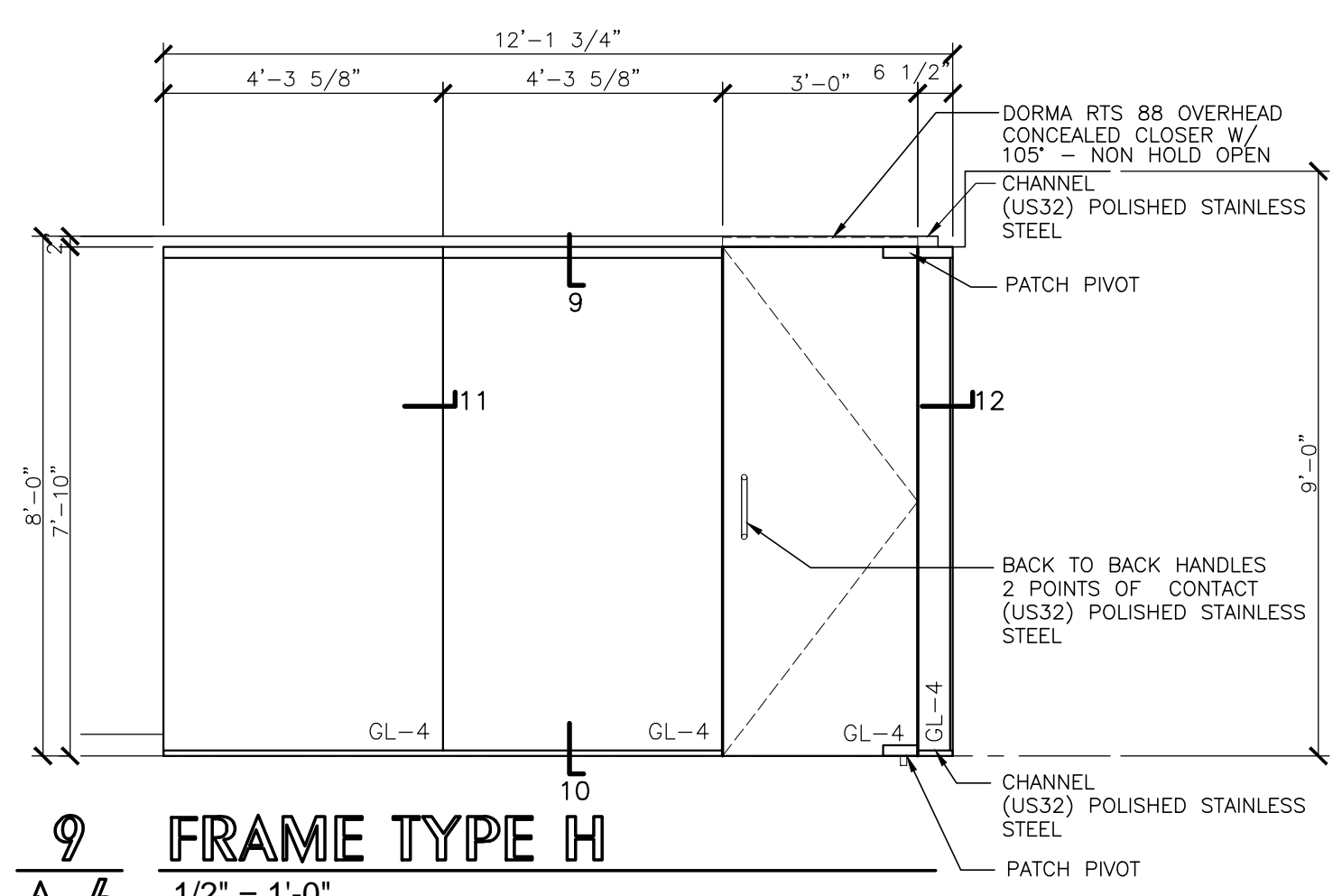
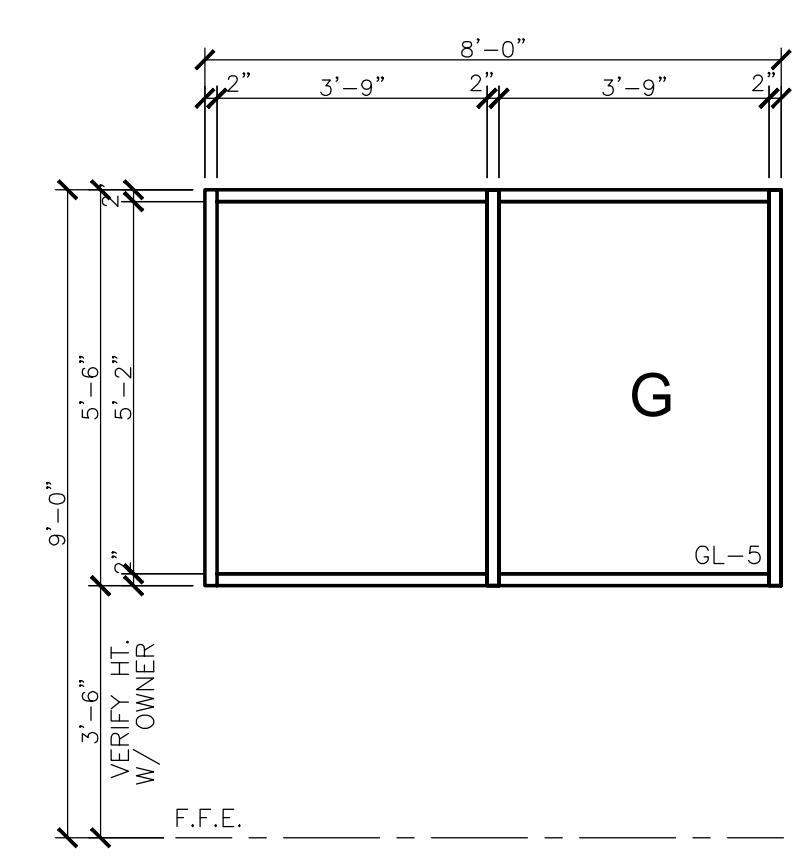


1 STOREFRONT DETAILS
 A-6 1/2" = 1'-0"



GLASS LEGEND
 GL1 = 1" INSUL./ANNEALED - CLEAR
 GL2 = 1" INSUL./TEMPERED - CLEAR
 GL3 = 1/4" TEMPERED - CLEAR
 GL4 = 1/2" TEMPERED - CLEAR
 GL5 = 1/4" ANNEALED - CLEAR
 GL6 = 1/4" OPAQUE PANEL



SAMPLE ONLY

COPYRIGHT BY
 CREATIVE CONCEPTS AND DESIGN, INC.

BUILDING
 ADDITION

REVISIONS	
DATE	JOB NUMBER
STOREFRONT ELEVATIONS AND DETAILS	
SHEET TITLE	

A-6