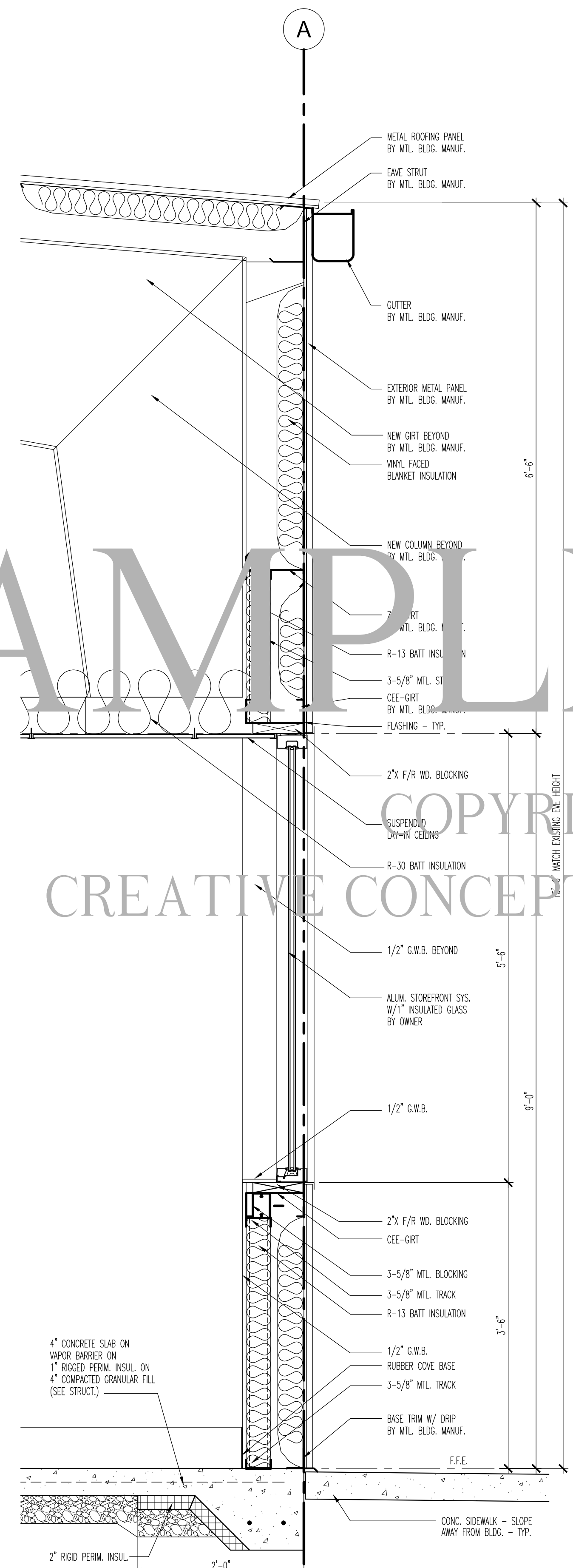
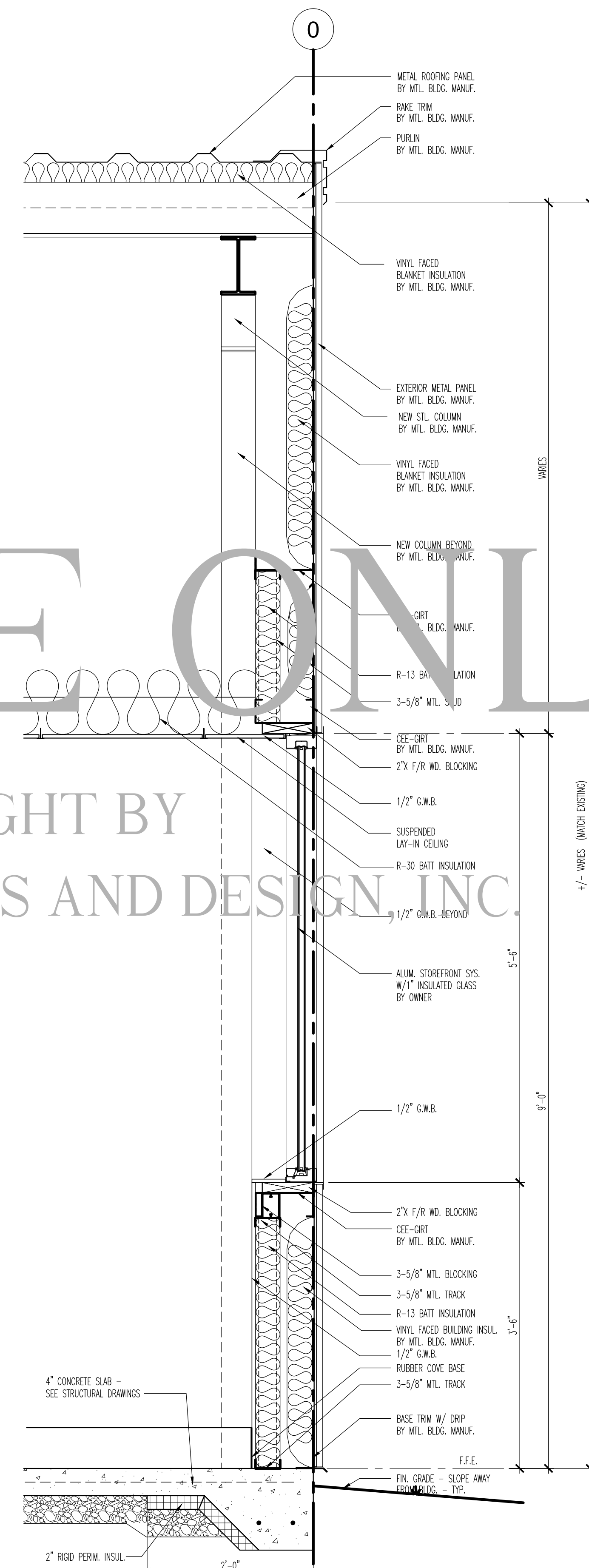


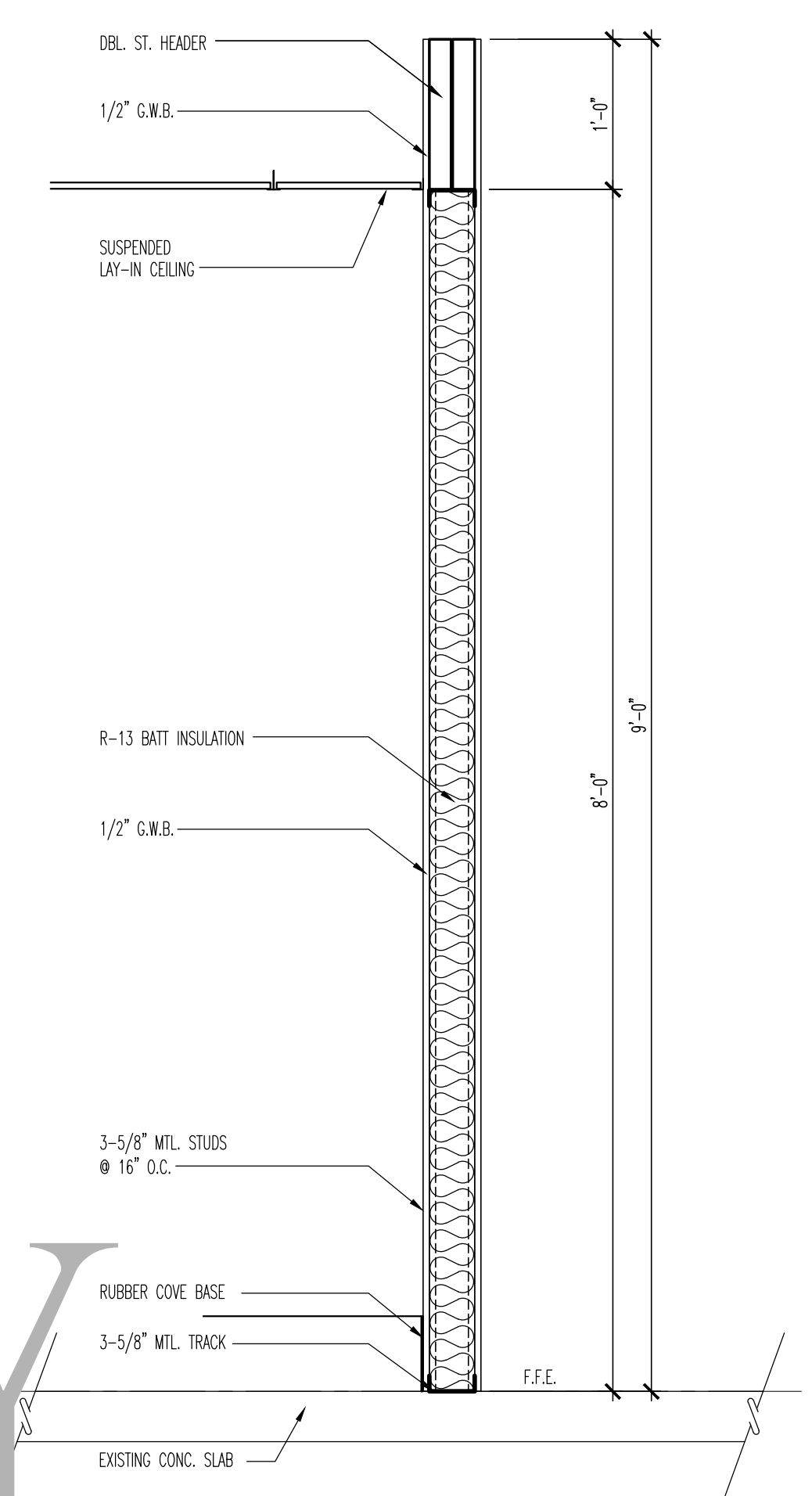
1 WALL SECTION
A-5 1" = 1'-0"



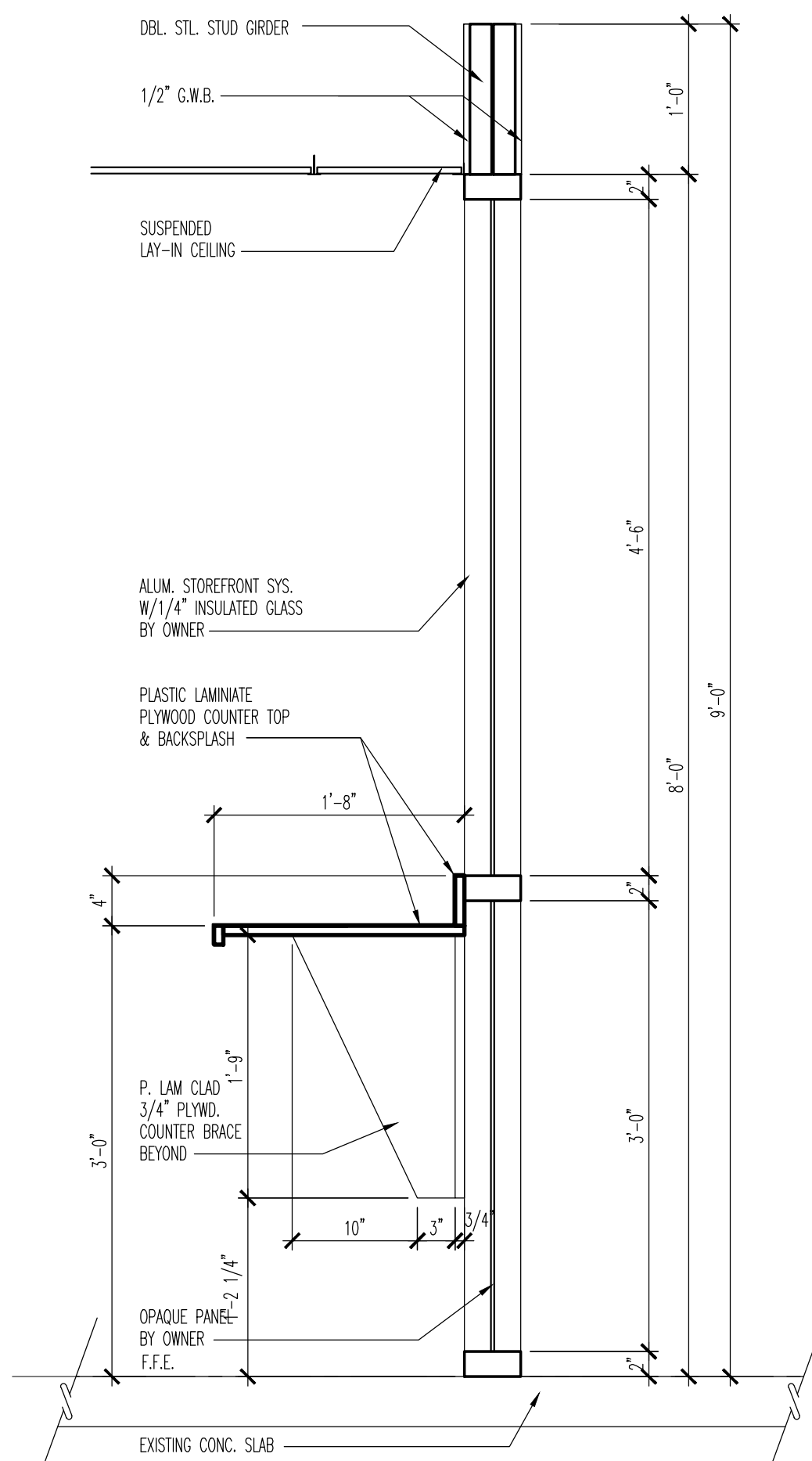
2 WALL SECTION
A-5 1" = 1'-0"



3 WALL SECTION
A-5 1" = 1'-0"



4 WALL SECTION
A-5 1" = 1'-0"



5 WALL SECTION
A-5 1" = 1'-0"

SAMPLE ONLY

COPYRIGHT BY
CREATIVE CONCEPTS AND DESIGN, INC.

BUILDING
ADDITION

REVISIONS	
DATE	JOB NUMBER

WALL SECTIONS

SHEET TITLE

A-5

SHEET OF